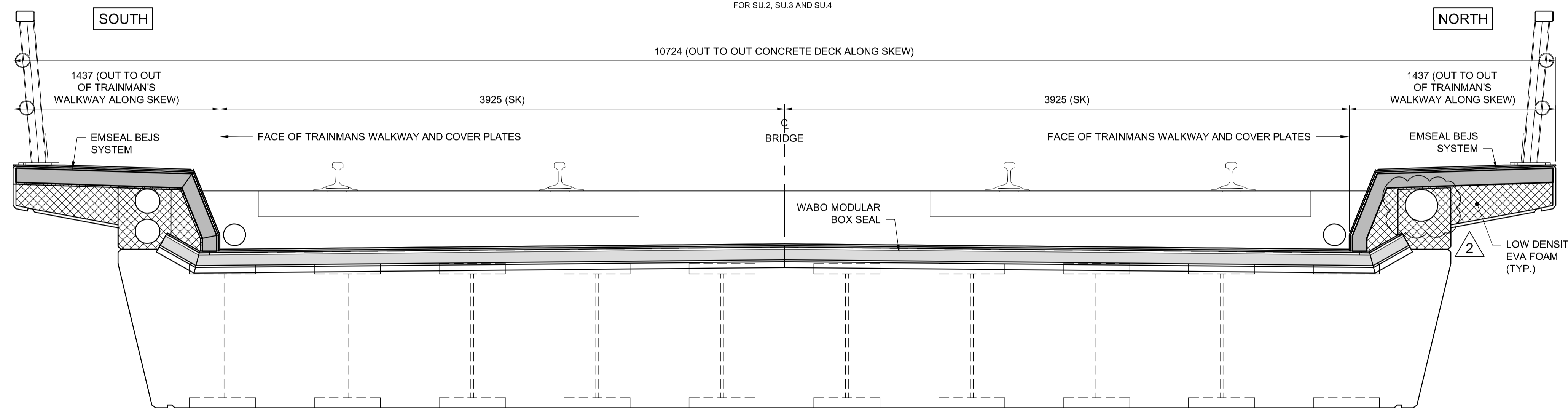
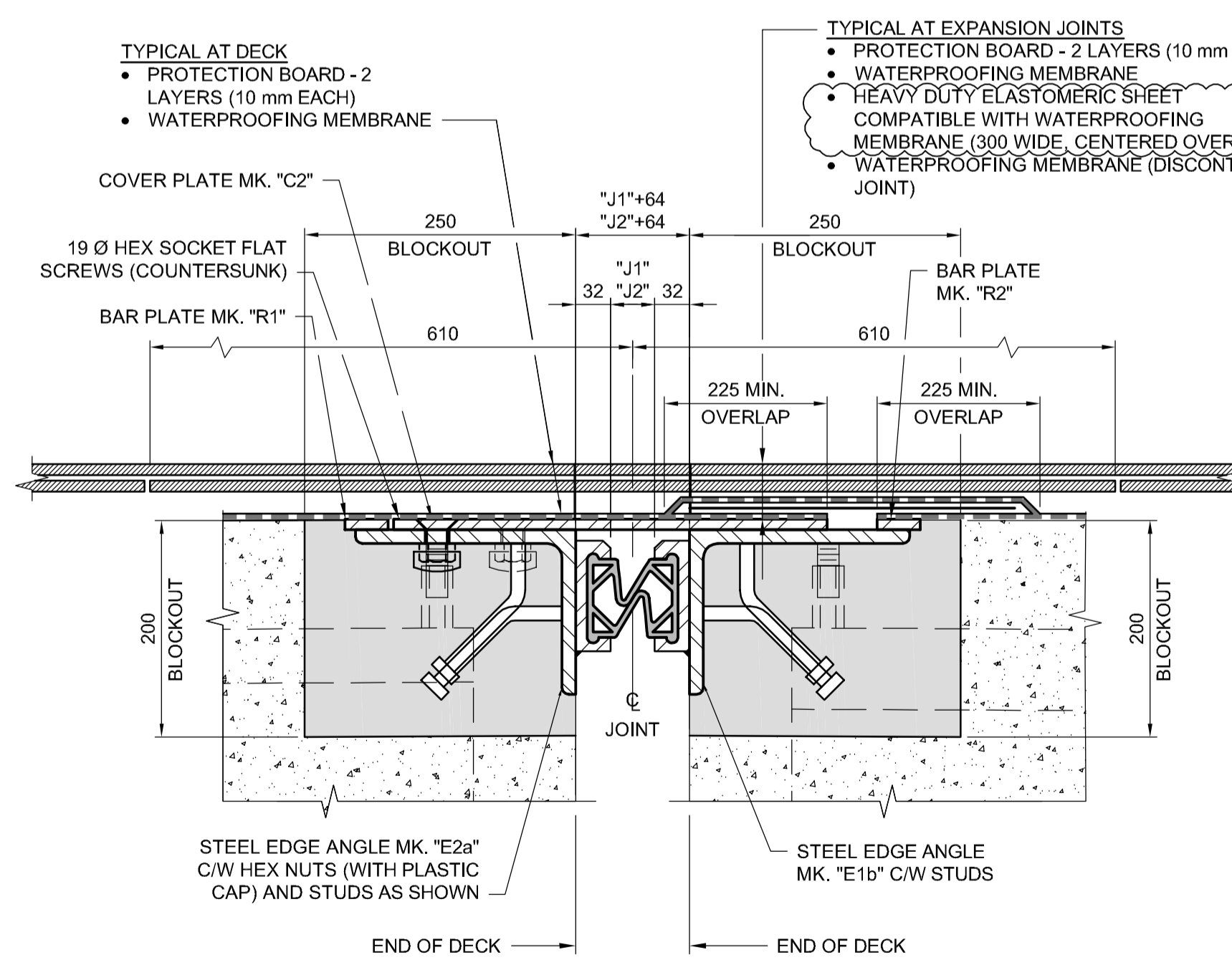


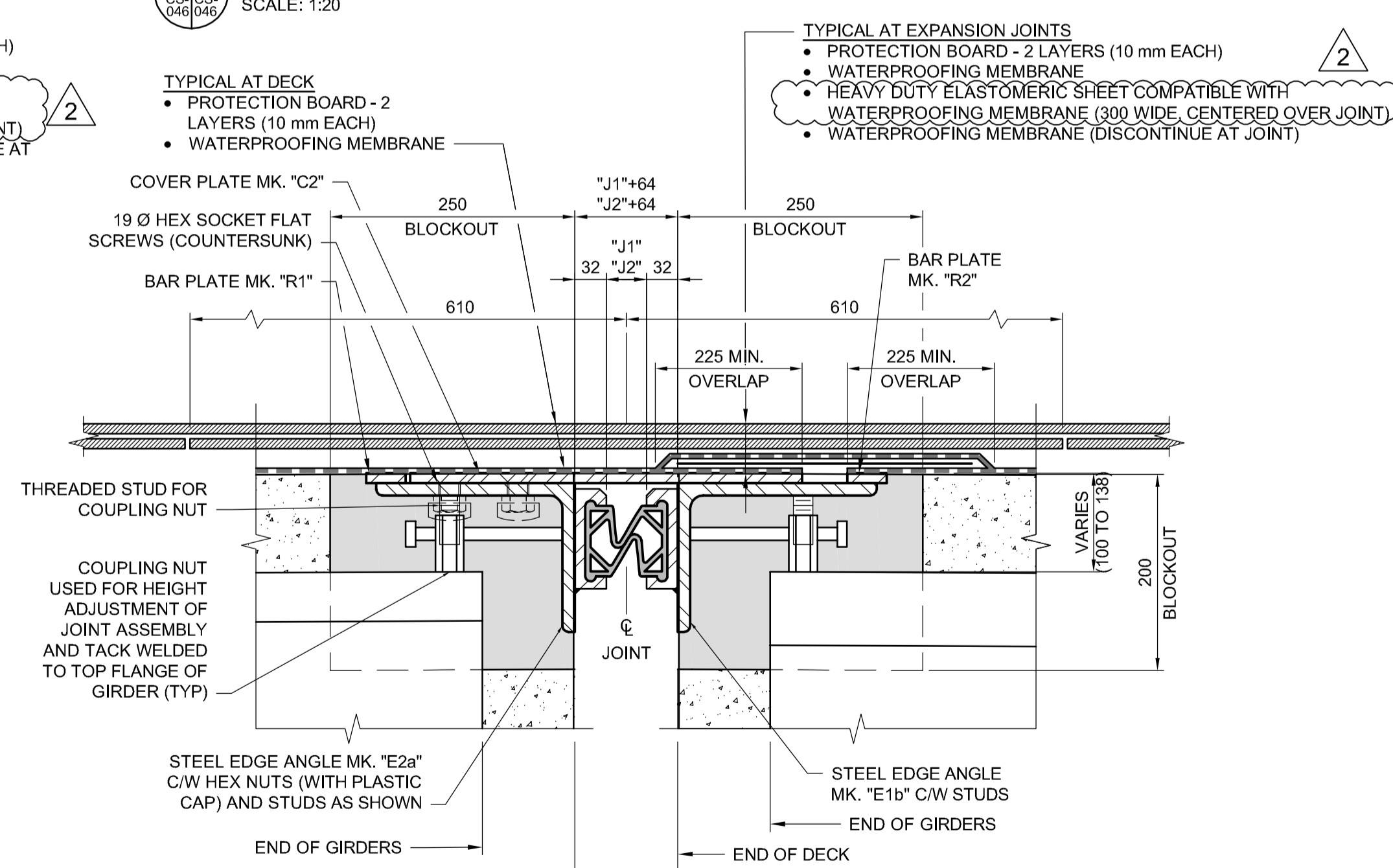
**PLAN**  
SCALE 1:15  
FOR SU.2, SU.3 AND SU.4



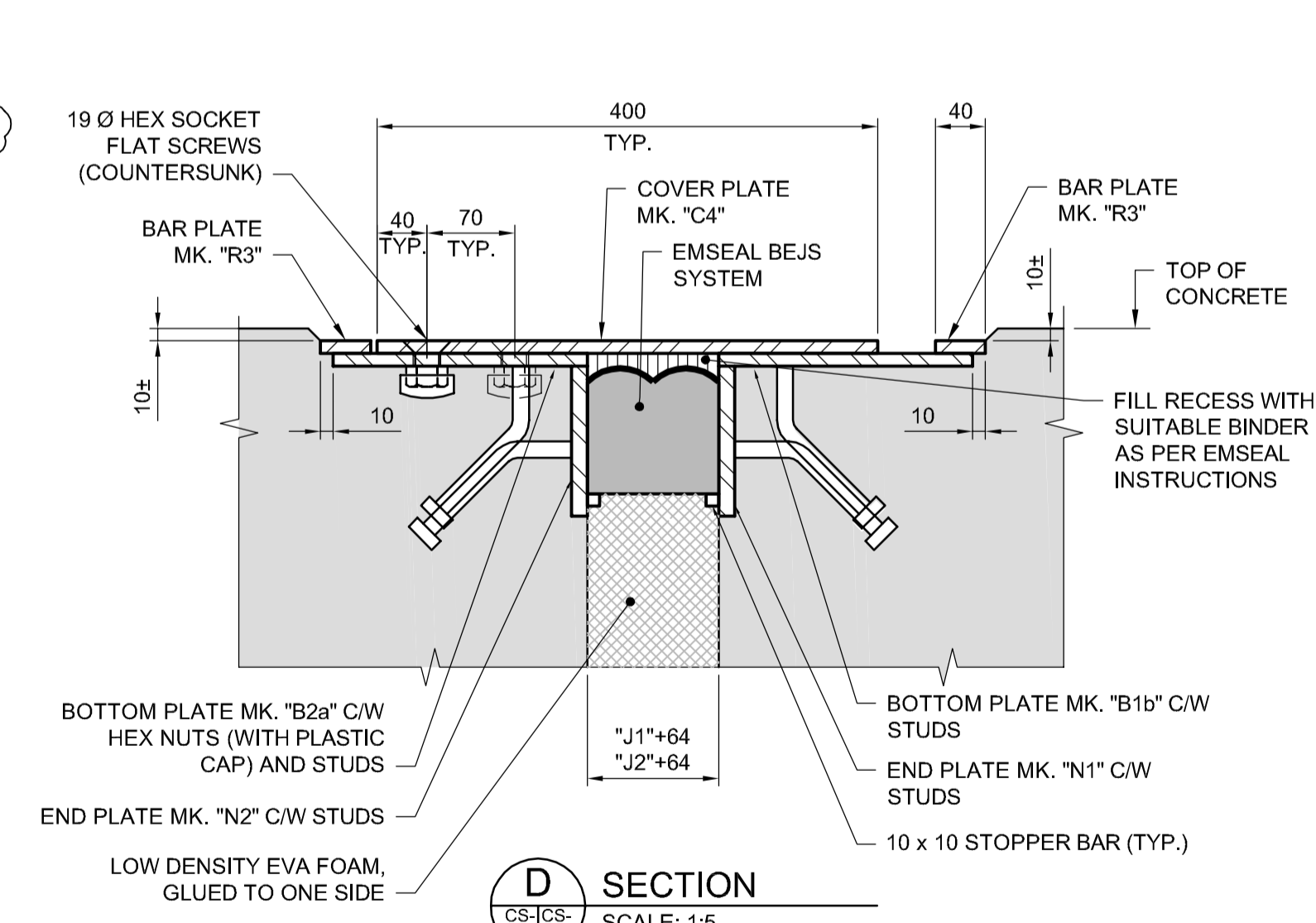
**A SECTION**  
SCALE: 1:20  
FOR SU.2, SU.3 AND SU.4 AT TRAINMANS WALKWAY



**B SECTION**  
SCALE: 1:5  
FOR SU.2, SU.3 AND SU.4 BETWEEN GIRDERS



**C SECTION**  
SCALE: 1:5  
FOR SU.2, SU.3 AND SU.4 AT GIRDERS



**D SECTION**  
SCALE: 1:5  
FOR SU.2, SU.3 AND SU.4 AT TRAINMANS WALKWAY

**APEGM**  
Certificate of Authorization  
Dillon Consulting Limited (MB)  
No. 1789 Date: 2017/01/09

NO.	REVISIONS	DATE	BY	DATE
2	ADDENDUM #5	17/03/01	RE	
1	ADDENDUM #1	17/01/25	RE	
0	ISSUED FOR TENDER	17/01/09	RE	

DESIGNED BY	CHECKED BY	APPROVED BY	RELEASED FOR CONSTRUCTION
RE	SSR	DBW	
CGC			
HOR. SCALE AS SHOWN	VERTICAL AS SHOWN		

ENGINEER'S SEAL  
PROVINCE OF MANITOBA  
**R.B. ERIC**  
Member 22665  
REGISTERED PROFESSIONAL ENGINEER  
CONSULTANT PROJECT NUMBER  
16-3353

**THE CITY OF WINNIPEG**  
PUBLIC WORKS DEPARTMENT

Waverley Street Underpass at CN Mile 3.89 Rivers Sub  
Contract 2: Underpass Structure, Rail Works,  
Roadworks, Land Drainage Sewer, Pumping Station  
and Landscaping Works

EXPANSION JOINT DETAILS - SHEET 1

CITY DRAWING NUMBER  
U-239-2016-C2-CS-046  
SHEET 046 OF 085  
CONSULTANT DRAWING NUMBER  
C2-CS-046

G:\CAD\163353\Technical\Workspace\Engineering\Drawings and Figures\Structures\Contract\163353-C2-CON-CS-DECK SJAB JOINT DETAILS.dwg