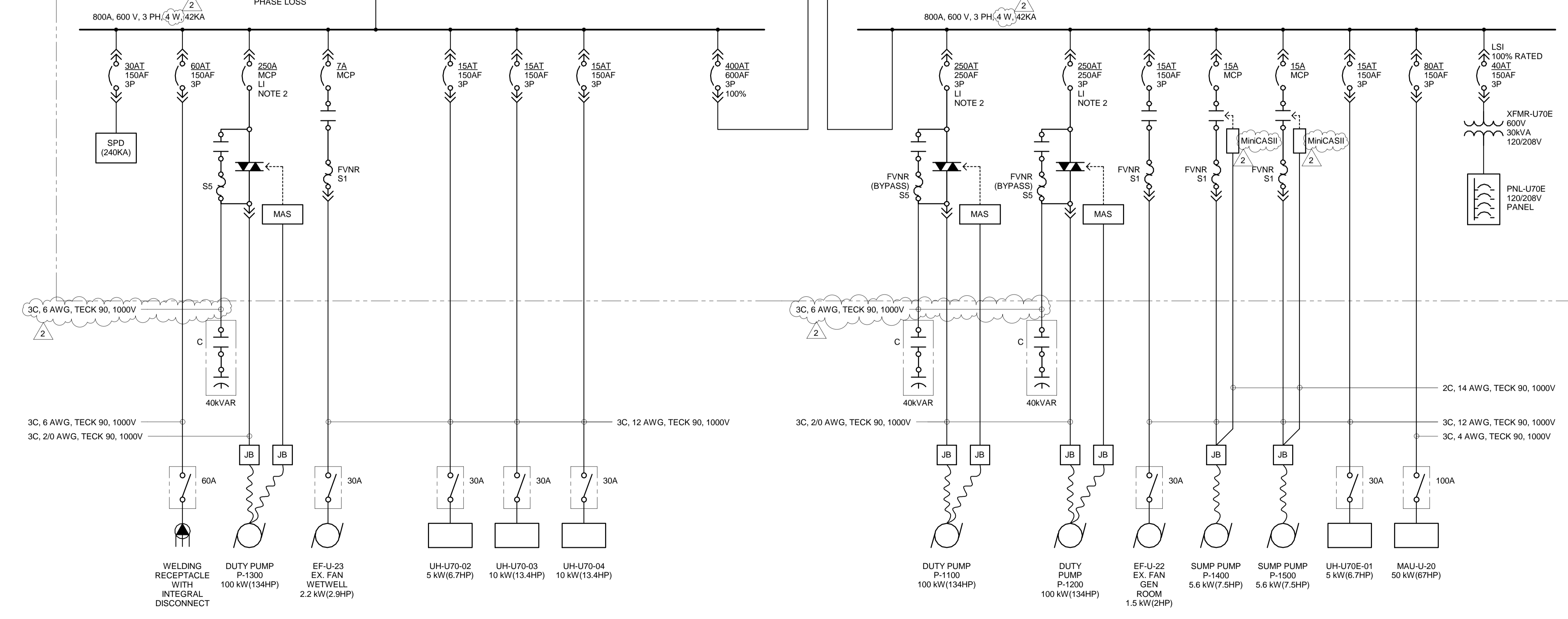
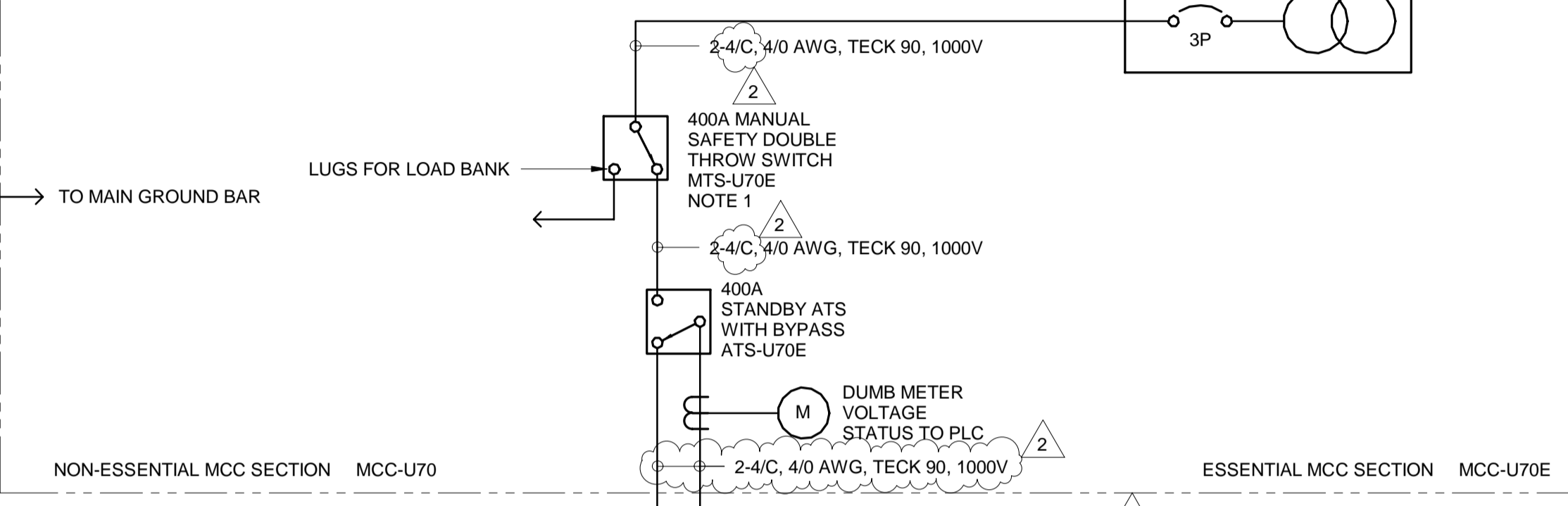
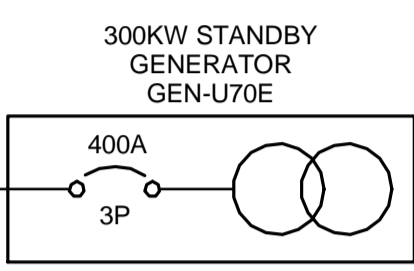
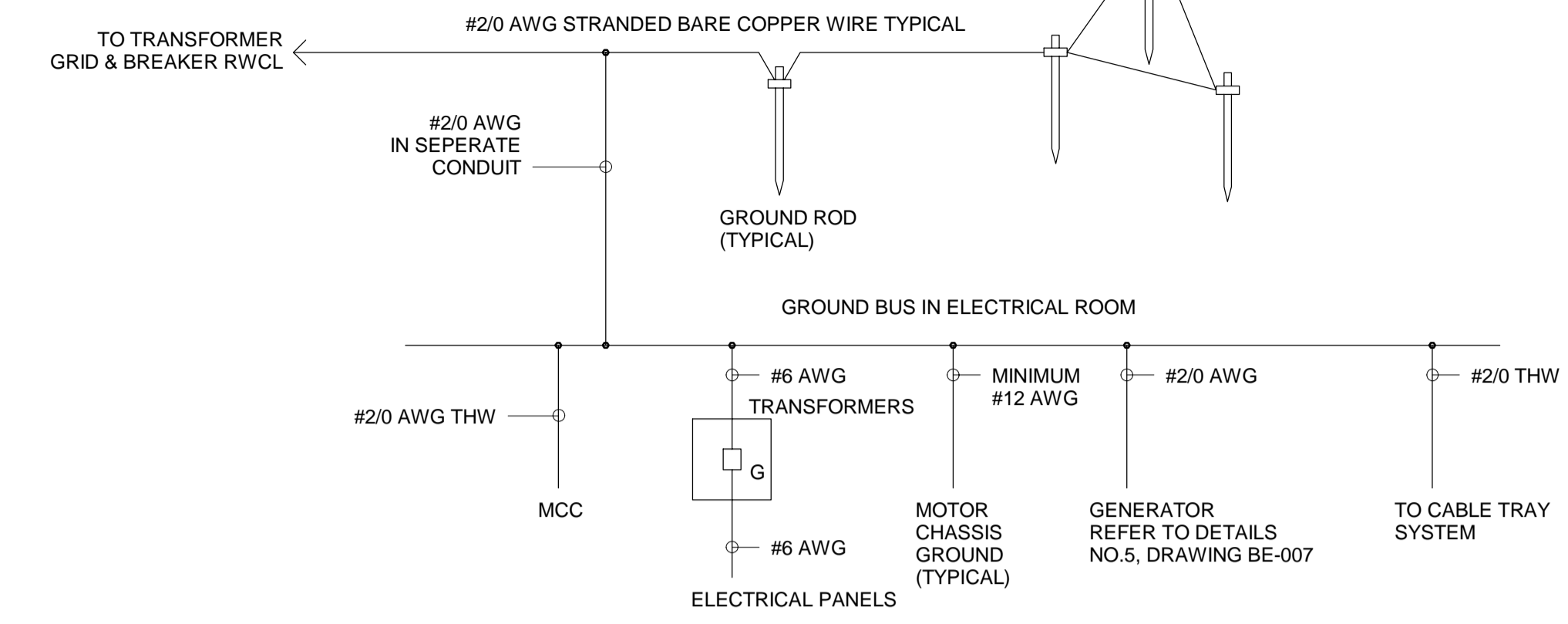


- NOTES:
- 400A, 600V, 3PH MANUAL SAFETY DOUBLE THROW SWITCH, NEMA 1 ENCLOSURE WITH AUXILIARY CONTACTS FOR STATUS ALARM TO PLC. PROVIDE ALL REQUIRED SIGNAL WIRING BACK TO PLC FOR STATUS ALARM (SWITCH ON OFF OR LOAD BACK POSITION).
 - PROVIDE BREAKER WITH ELECTRONIC TRIP UNIT (ADJUSTABLE LI SETTINGS). NEW SERVICE INSTALLATION SHALL BE IN ACCORDANCE WITH MANITOBA HYDRO REQUIREMENTS.
 - THE METER BOX AND SOCKET SHALL BE SUPPLIED AND INSTALLED BY THE CONTRACTOR, METER IS SUPPLIED BY MANITOBA HYDRO.
 - ALL BREAKERS MINIMUM 25KA SYMMETRICAL INTERRUPTING CAPACITY. SERIES RATED BREAKERS NOT ACCEPTABLE.
 - INTERRUPT TYPE METER C/W ETHERNET/MODBUS TCP INTERFACE FOR CONNECTION TO PLC CABINET.
 - NEMA 3R FUSED DISCONNECT SWITCH SCHNEIDER SQUARE D H367R USE CLASS L TIME DELAY FUSE.



METRIC
WHOLE NUMBERS INDICATE MILLIMETRES
DECIMALIZED NUMBERS INDICATE METRES

UNDERGROUND STRUCTURES		B.M. ELEV.
SUPV. U/G STRUCTURES	DATE	
LOCATION OF UNDERGROUND STRUCTURES AS SHOWN ARE BASED ON THE BEST INFORMATION AVAILABLE. BUT NO GUARANTEE IS GIVEN THAT ALL EXISTING UTILITIES ARE SHOWN OR THAT THE GIVEN LOCATIONS ARE EXACT. CONFIRMATION OF EXISTENCE AND EXACT LOCATION OF ALL SERVICES MUST BE OBTAINED FROM THE INDIVIDUAL UTILITIES BEFORE PROCEEDING WITH CONSTRUCTION.		

NO.	REVISIONS	DATE	BY
2	ADDENDUM #7	17/03/20	RC
1	ADDENDUM #5	17/03/01	RC
0	ISSUED FOR TENDER	17/01/09	RC

		DESIGNED BY	RB	CHECKED BY	LCS
		DRAWN BY	RC	APPROVED BY	SS
HOR. SCALE		AS SHOWN		RELEASED FOR CONSTRUCTION	
VERTICAL					
DATE		06/01/2016		DATE	
				05/30/16	

ENGINEER'S SEAL
PROVINCE OF MANITOBA
R. BOGDANOV
Member
33564
REGISTERED PROFESSIONAL ENGINEER
CONSULTANT PROJECT NUMBER
60321148

THE CITY OF WINNIPEG
PUBLIC WORKS DEPARTMENT
Winnipeg
WAVERLEY STREET UNDERPASS AT CN MILE 3.89 RIVERS SUB
CONTRACT 2: UNDERPASS STRUCTURE, RAILWORKS,
ROADWORKS, LAND DRAINAGE SEWER, PUMPING STATION
AND LANDSCAPING WORKS
PUMPING STATION
SCHEMATICS
CITY DRAWING NUMBER
U-239-2016-C2-BE-007
SHEET 7 OF 8
CONSULTANT DRAWING NUMBER
C2-BE-007

P:\60321148\9000-Work\910-CAD\99-SUPPORT\PROJECT_TITLE_BLOCKS\Title Block for Pump Station works\1633853-XTB-C1-CU.dwg