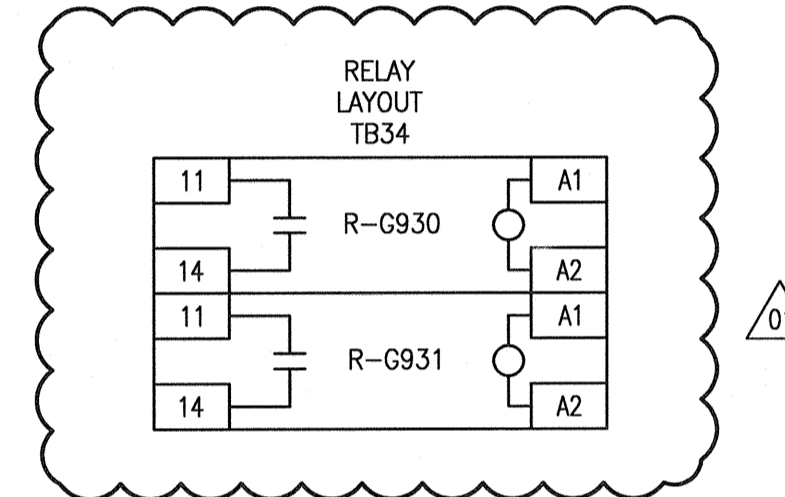


TERMINAL LAYOUT TB23

1
2
3
4
5
6



- LEGEND:
- CP-G822 TERMINAL
 - CP-G823 TERMINAL



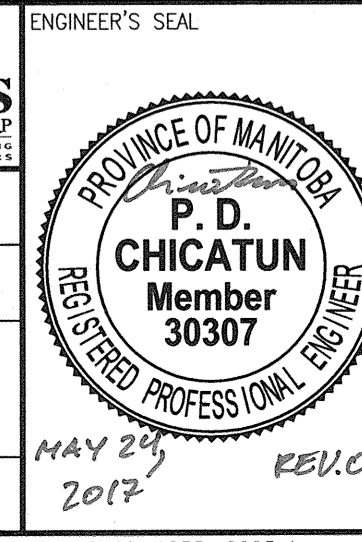
NO.	REVISIONS	DATE	DESIGN	CHECK
01	ISSUED FOR ADDENDUM 1 - 976-2016	2017/05/26	SB	PC
00	ISSUED FOR CONSTRUCTION - 976-2016	2017/04/05	MW	PC

CH2MHILL
 SNC-LAVALIN

DESIGNED BY: M. WANG
 DRAWN BY: M. WANG
 SCALE: NTS
 DATE: 2015/07/24

CHECKED BY: P. CHICATUN
 APPROVED BY: E. RYCZKOWSKI
 ISSUED FOR CONSTRUCTION BY: J. SHUMKA
 DATE: 2017/04/05

CONSULTANT NO.: 474248



THE CITY OF WINNIPEG
 WATER AND WASTE DEPARTMENT

SOUTH END WATER POLLUTION CONTROL CENTRE
 SEWPCC UPGRADING/EXPANSION PROJECT
 AUTOMATION - WIRING DIAGRAM
 HEADWORKS AREA
 CP-G822, MISCELLANEOUS WIRING

CITY DRAWING NUMBER: 1-0102-ACBD-G025
 SHEET: 001
 REV: 01
 SIZE: A1

REFERENCE DRAWINGS	DESCRIPTION