

CONTINUED FROM SHT. 001

CONTINUED FROM LEFT

TERMINAL LAYOUT TB30

CB-01041
CB-01042
CB-01043
CB-01044
C01041
C01042
C01043
C01044

TERMINAL LAYOUT TB31

CB-21041
CB-21042
CB-21043
C21041
C21042
C21043

TERMINAL LAYOUT TB32

CB-41011
CB-41012
CB-41013
C41011
C41012
C41013

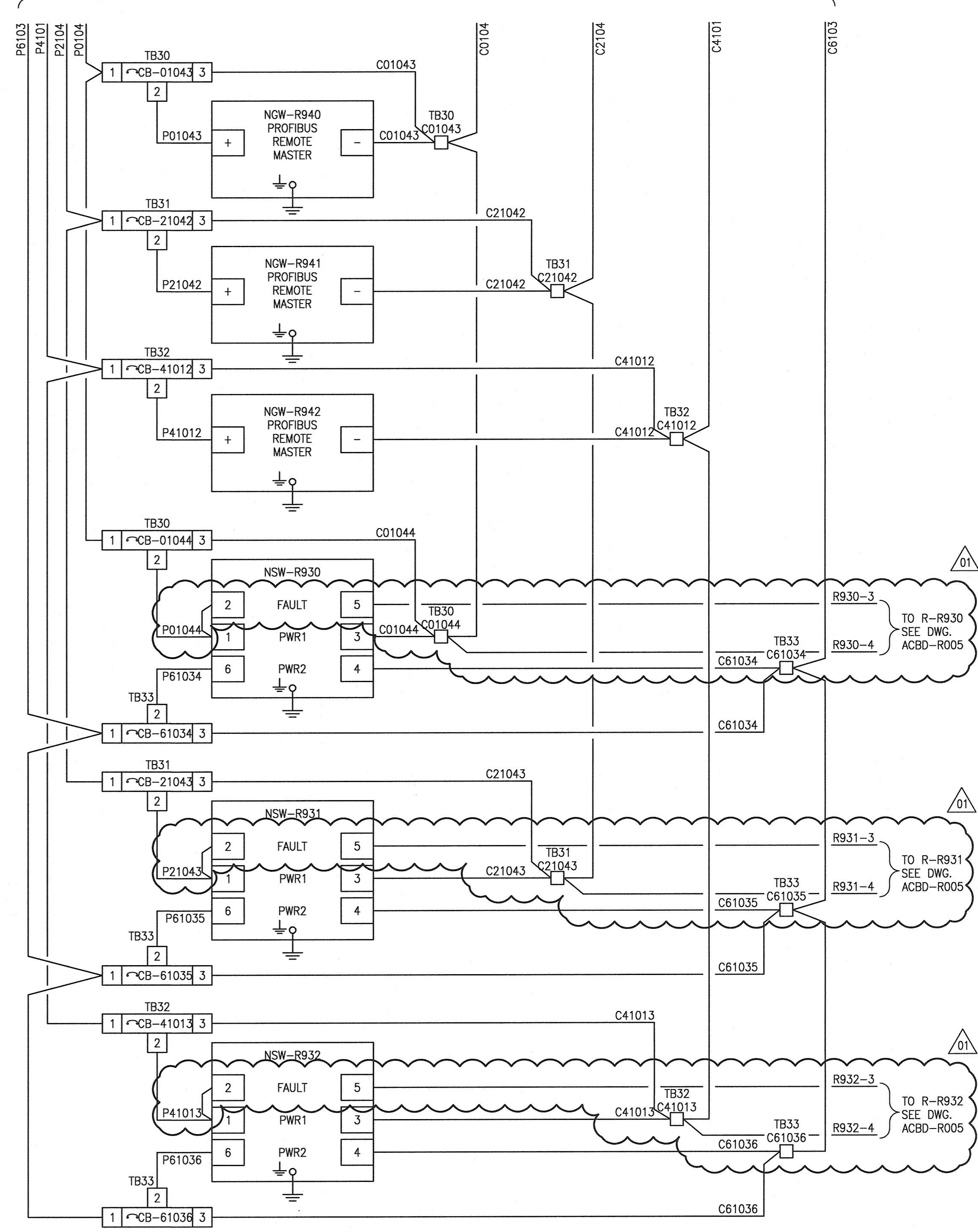
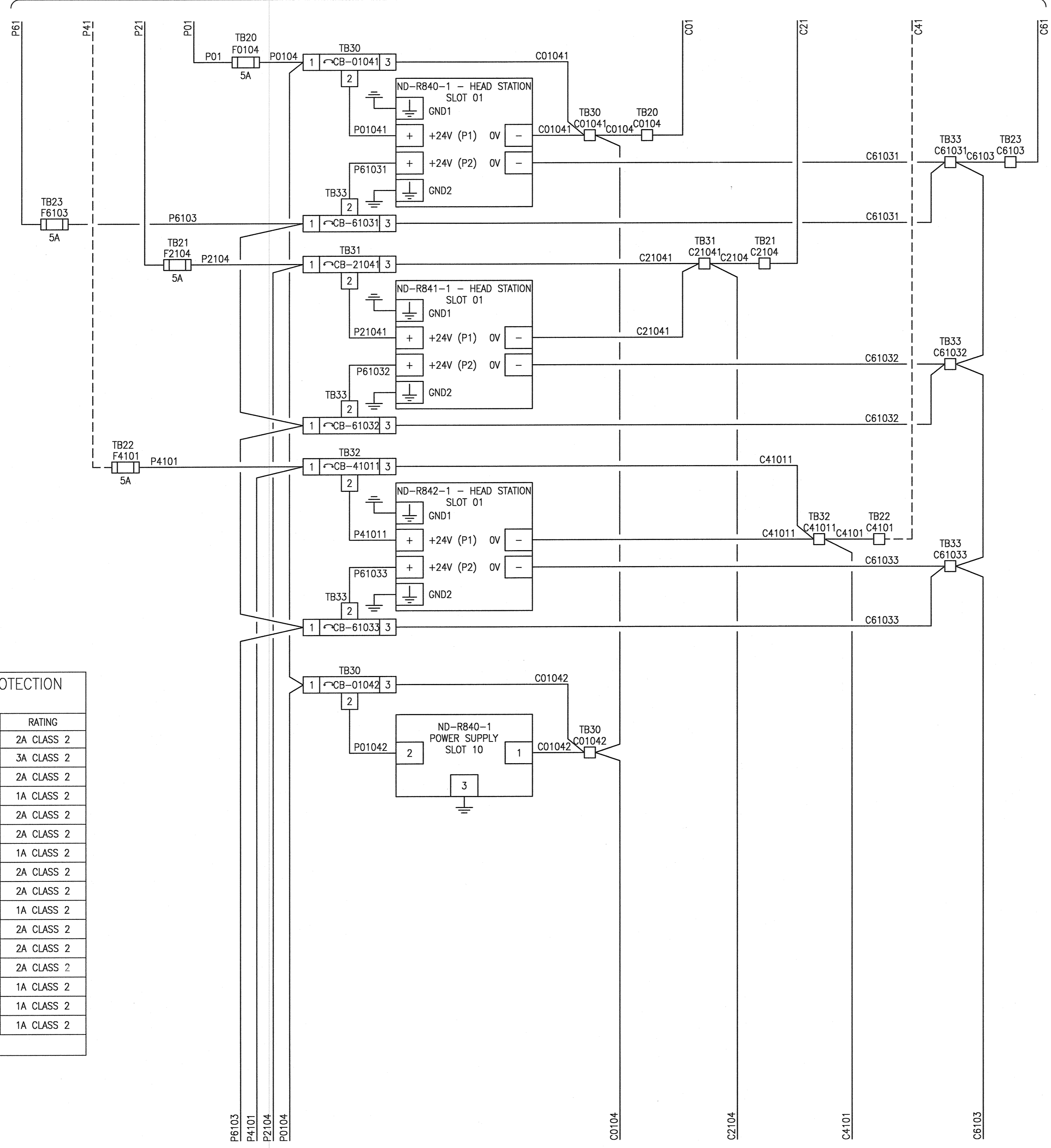
TERMINAL LAYOUT TB33

CB-61031
CB-61032
CB-61033
CB-61034
CB-61035
CB-61036
C61031
C61032
C61033
C61034
C61035
C61036

ELECTRONIC CIRCUIT PROTECTION SCHEDULE

TB	IDENTIFIER	SIZE	RATING
TB30	CB-01041	12.5x80mm	2A CLASS 2
	CB-01042	12.5x80mm	3A CLASS 2
	CB-01043	12.5x80mm	2A CLASS 2
	CB-01044	12.5x80mm	1A CLASS 2
TB31	CB-21041	12.5x80mm	2A CLASS 2
	CB-21042	12.5x80mm	2A CLASS 2
	CB-21043	12.5x80mm	1A CLASS 2
TB32	CB-41011	12.5x80mm	2A CLASS 2
	CB-41012	12.5x80mm	2A CLASS 2
	CB-41013	12.5x80mm	1A CLASS 2
TB33	CB-61031	12.5x80mm	2A CLASS 2
	CB-61032	12.5x80mm	2A CLASS 2
	CB-61033	12.5x80mm	2A CLASS 2
	CB-61034	12.5x80mm	1A CLASS 2
	CB-61035	12.5x80mm	1A CLASS 2
	CB-61036	12.5x80mm	1A CLASS 2

NOTES



LEGEND:
 EQUIPMENT GROUND

CONTINUED AT RIGHT

LAST SAVE: 2017/05/24 - 3:13pm
 PATH: C:\pwworkdir\ch2mhill_wg\sb013016\d0356466\1-0102-ACBD-R004-002.dwg

REFERENCE DRAWINGS	DESCRIPTION



DESIGNED BY: M. WANG	CHECKED BY: P. CHICATUN	DATE: 2015/11/16	DATE: 2017/04/05	ENGINEER'S SEAL P. D. CHICATUN Member 30307 MAY 24 2017	
DRAWN BY: M. WANG	APPROVED BY: E. RYCKOWSKI	ISSUED FOR CONSTRUCTION BY: J. SHUMKA	DATE: 2017/04/05	THE CITY OF WINNIPEG WATER AND WASTE DEPARTMENT SOUTH END WATER POLLUTION CONTROL CENTRE SEWPPC UPGRADING/EXPANSION PROJECT AUTOMATION - POWER DISTRIBUTION SCHEMATIC BIOREACTORS/BLOWER BUILDING CP-R820 PLC AND DEVICE NETWORK EQUIPMENT CABINET	
01 ISSUED FOR ADDENDUM 1 - 976-2016 2017/05/26 SB PC 00 ISSUED FOR CONSTRUCTION - 976-2016 2017/04/05 MW PC		CONSULTANT NO.: 474248		CITY DRAWING NUMBER: 1-0102-ACBD-R004 002 01 A1	