

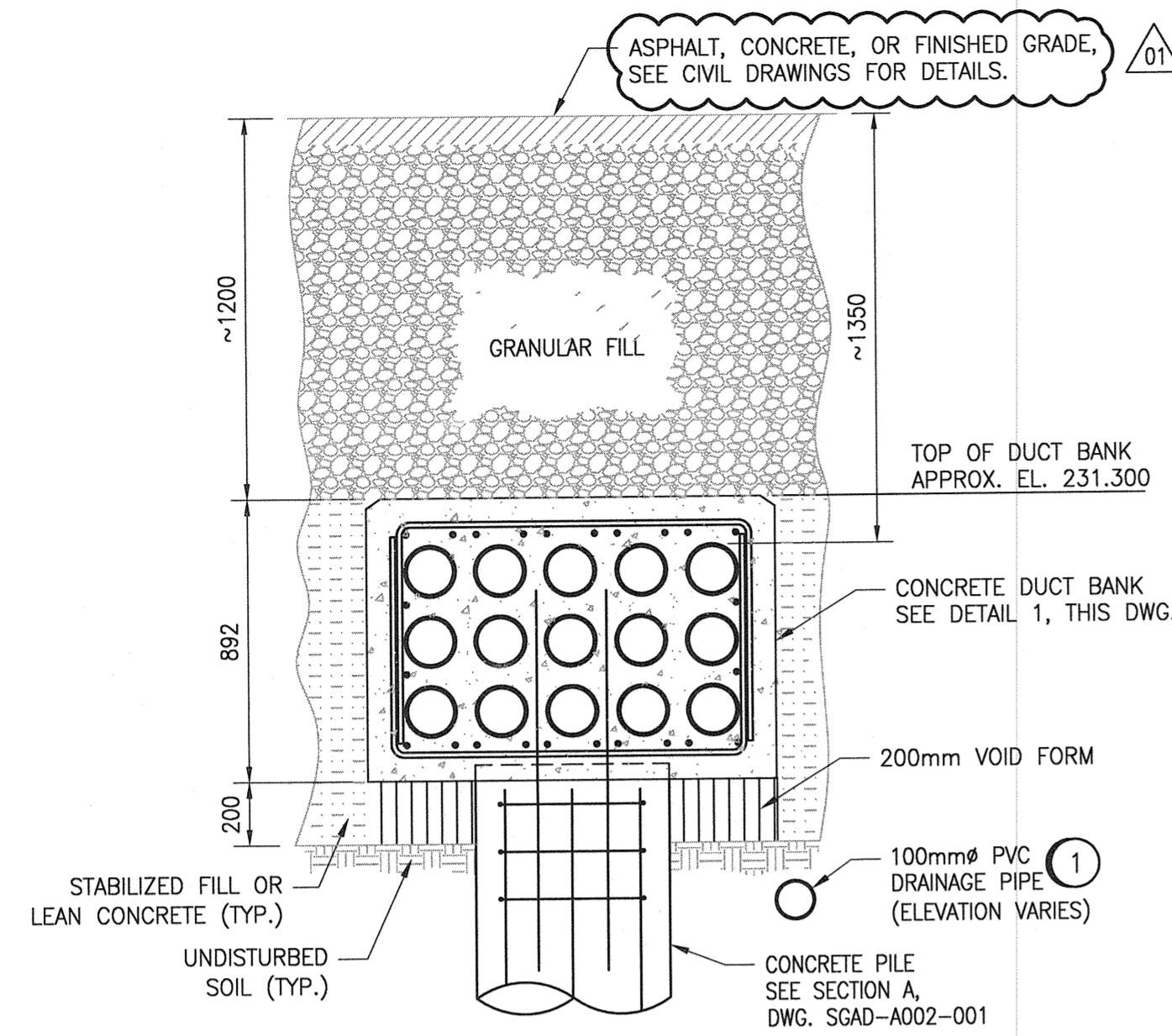
A1 SIZE - 594mm x 841mm

GENERAL NOTES:

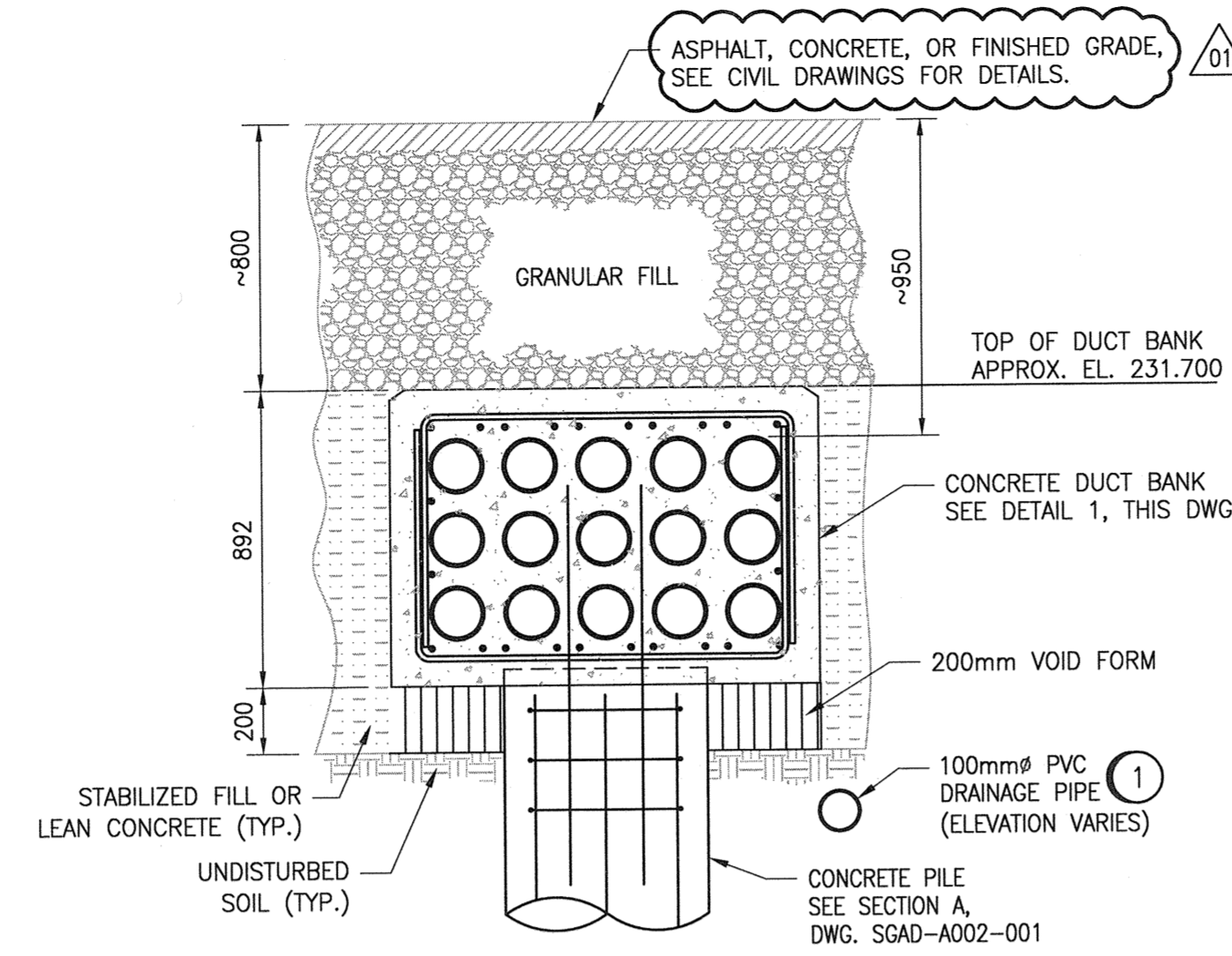
1. ALL POWER DUCT BANK CONDUIT AND FITTINGS SHALL BE #150mm, IPEX RIGID SUPER DUCT TYPE DB2.
2. ALL POWER DUCT BANKS TO BE CONSTRUCTED USING IPEX VERTICAL-LOK 6X2 (PRODUCT CODE 029580) INTERMEDIATE SPACERS AND 2X2 (PRODUCT CODE 029564) BASE SPACERS.
3. ALL DUCT BANK CONCRETE TO BE REINFORCED AS DETAILED.
4. PROVIDE 75mm CLEAR COVER ON ALL REINFORCING CAST AGAINST EARTH FORMS (TYPICAL).
5. PROVIDE MINIMUM CLASS C LAP LENGTH ON ALL REINFORCING.

SPECIFIC NOTES:

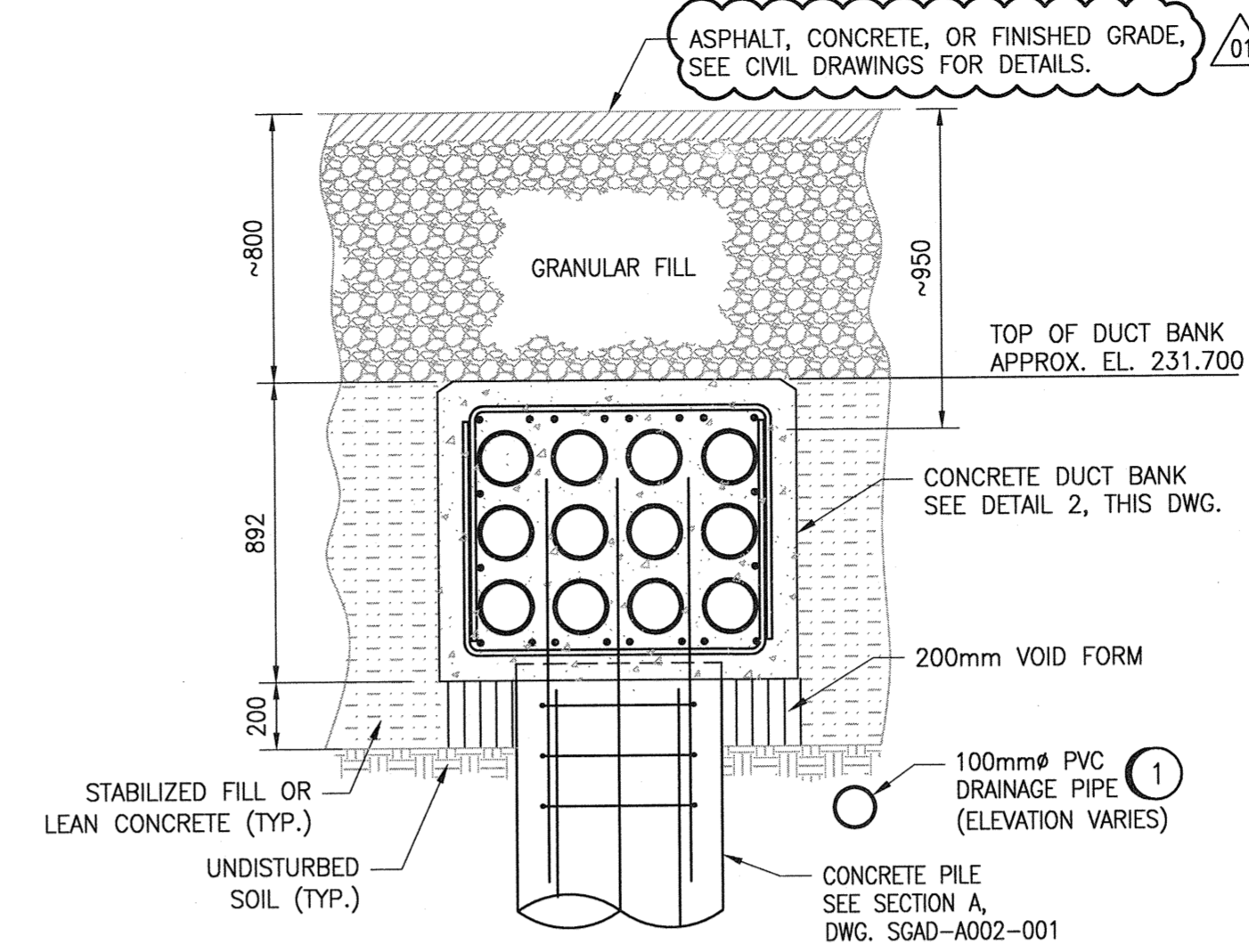
- 1 CONTRACTOR TO INSTALL 100mmØ PVC DRAINAGE PIPE WHERE SHOWN ON DUCT BANK FOUNDATION LAYOUT DRAWINGS. NO DRAINAGE PIPE TO BE INSTALLED FROM PULLBOX PB-6700 THROUGH PB-R700. REFER TO DWGS. SGAD-A001-001, 002, 003.
- 2 REFER TO DRAWING 1-0102-SCAD-A002-001 FOR NOTES AND DETAILS ON CONCRETE DUCT BANK, REINFORCING BARS, AND PLASTIC SPACERS.



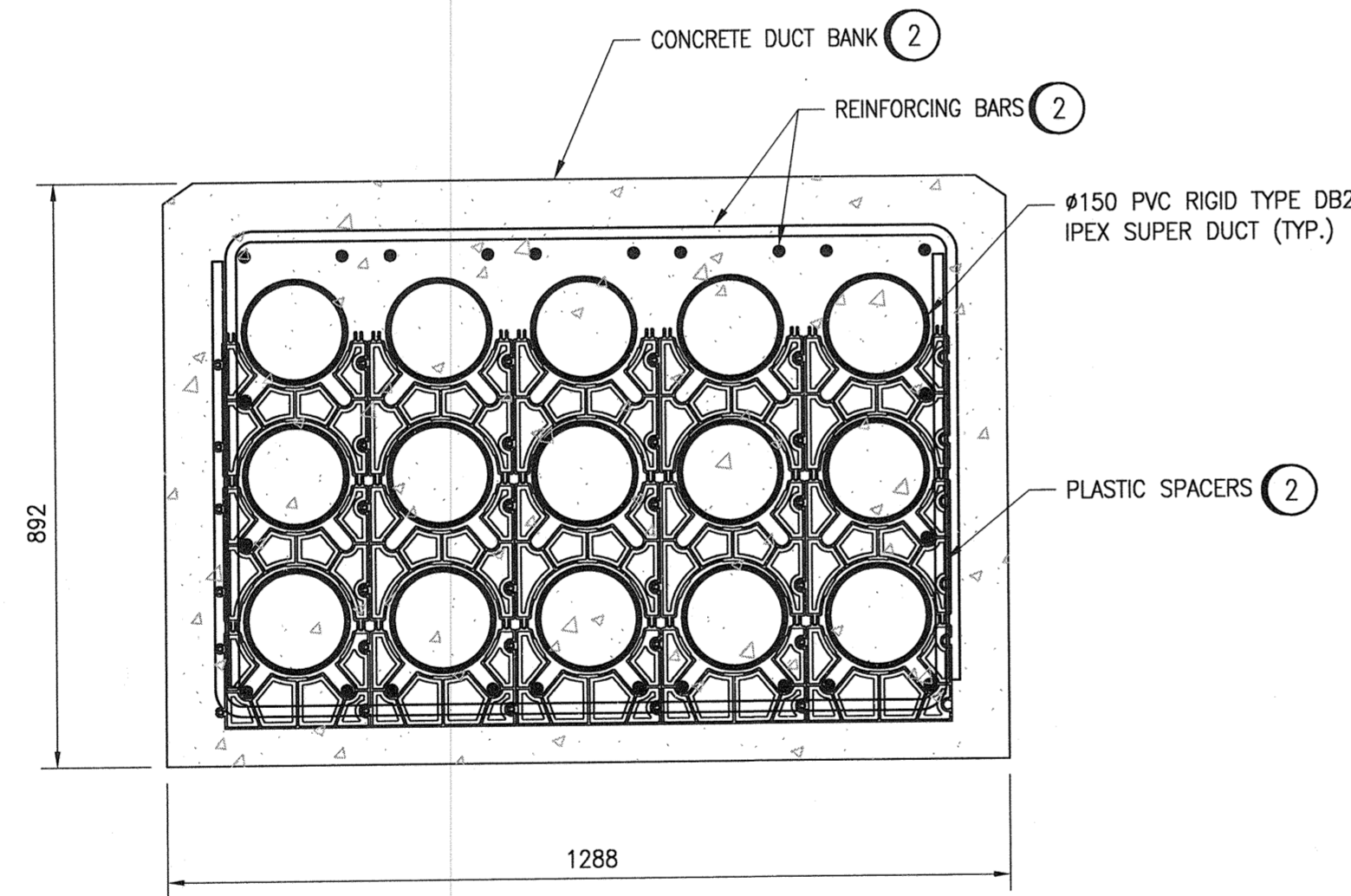
A 5x3-150ø DUCT BANK CROSS SECTION
1 : 20
EGAD-A001



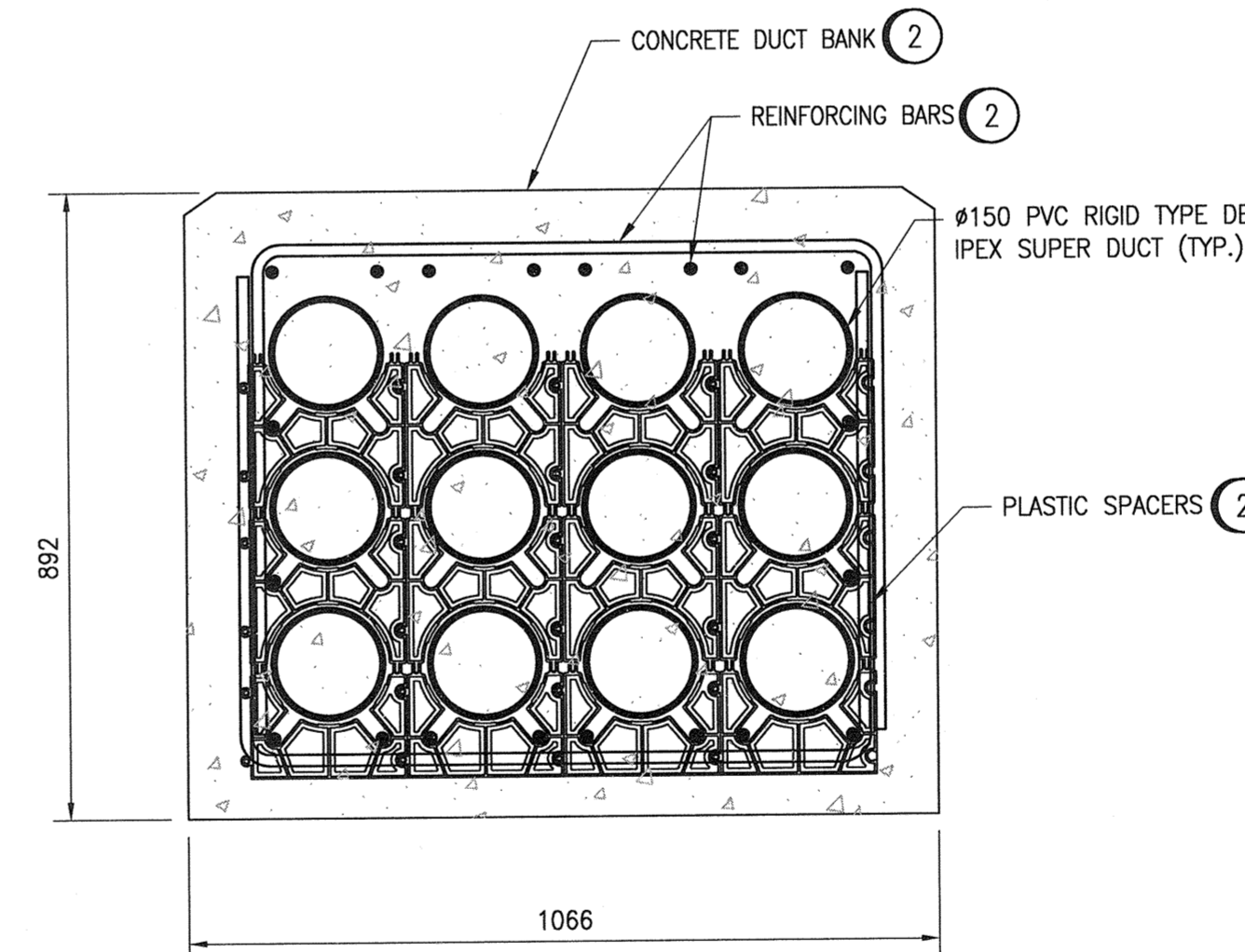
B 5x3-150ø DUCT BANK CROSS SECTION
1 : 20
EGAD-A001



C 4x3-150ø DUCT BANK CROSS SECTION
1 : 20
EGAD-A001



1 5x3-150ø DUCT BANK DETAIL
1 : 10



2 4x3-150ø DUCT BANK DETAIL
1 : 10

LAST SAVE: 2017/06/05 - 11:21am
PATH: C:\pwworkdir\ch2mhill_wbg\sb013016\00355952\1-0102-EDTL-A002-001.dwg

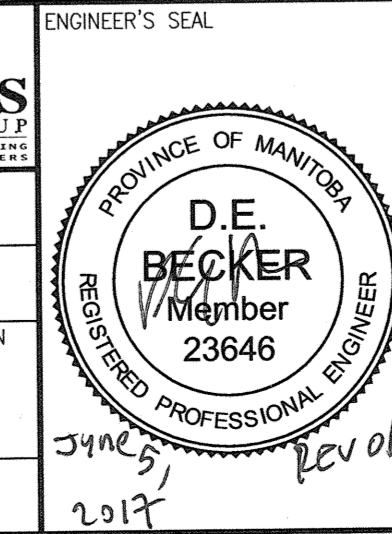
REFERENCE DRAWINGS	DESCRIPTION
1-0102-SGAD-A002	DUCT BANK FOUNDATION, SECTIONS AND DETAILS
1-0102-EGAD-A001	GENERAL ARRANGEMENT, DUCT BANK LAYOUT



NO.	REVISIONS	DATE	DESIGN	CHECK
01	ISSUED FOR ADDENDUM 2 - 976-2016	2017/06/09	SSB	DEB
00	ISSUED FOR CONSTRUCTION - 976-2016	2017/04/05	SLJ	DEB

CH2MHILL.
SNC-LAVALIN
DESIGNED BY: K. OOI/S. JUGANAS
DRAWN BY: M.J. PERSSON
SCALE: AS SHOWN
DATE: 2013/12/13
CONSULTANT NO.: 474248

CHECKED BY: E. RYCZKOWSKI
APPROVED BY: D. BECKER
ISSUED FOR CONSTRUCTION BY: J. SHUMKA
DATE: 2017/04/05



THE CITY OF WINNIPEG
WATER AND WASTE DEPARTMENT

SOUTH END WATER POLLUTION CONTROL CENTRE
SEWPPCC UPGRADING/EXPANSION PROJECT
ELECTRICAL
SECTIONS AND DETAILS
DUCT BANK AND PULLBOXES

CITY DRAWING NUMBER: 1-0102-EDTL-A002
SHEET: 001
REV: 01
SIZE: A1