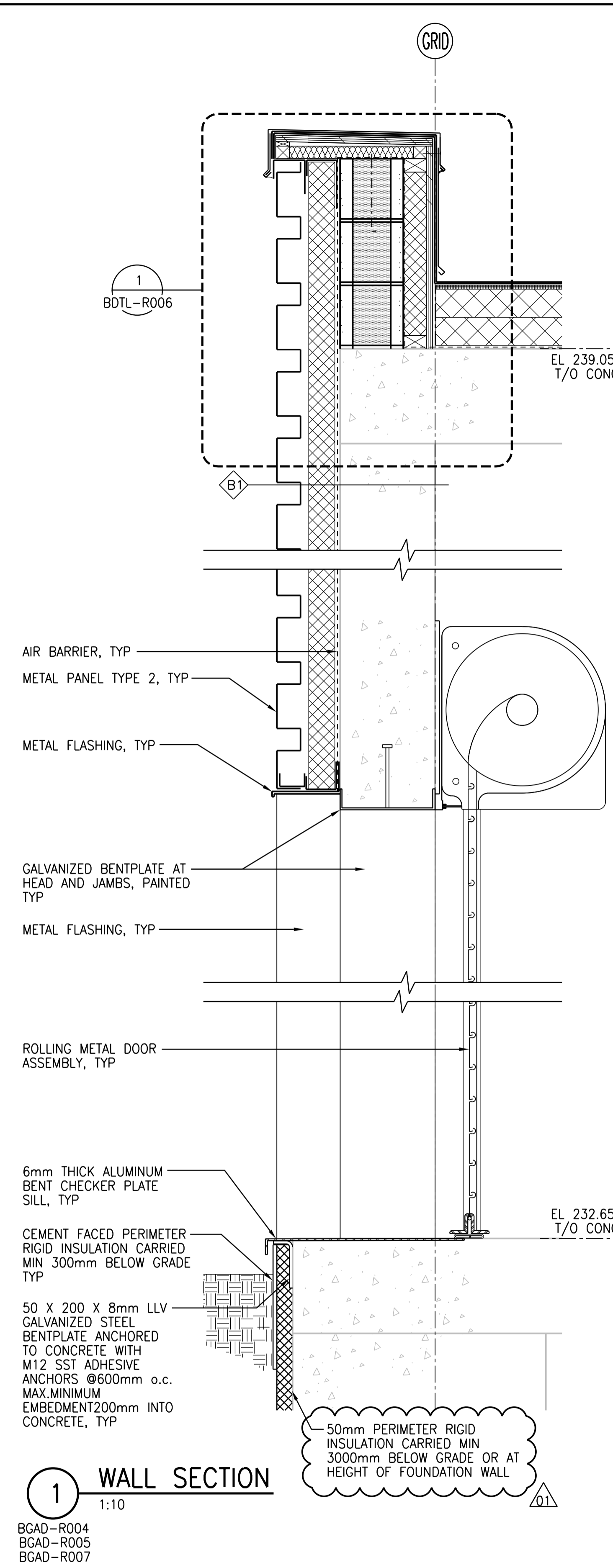
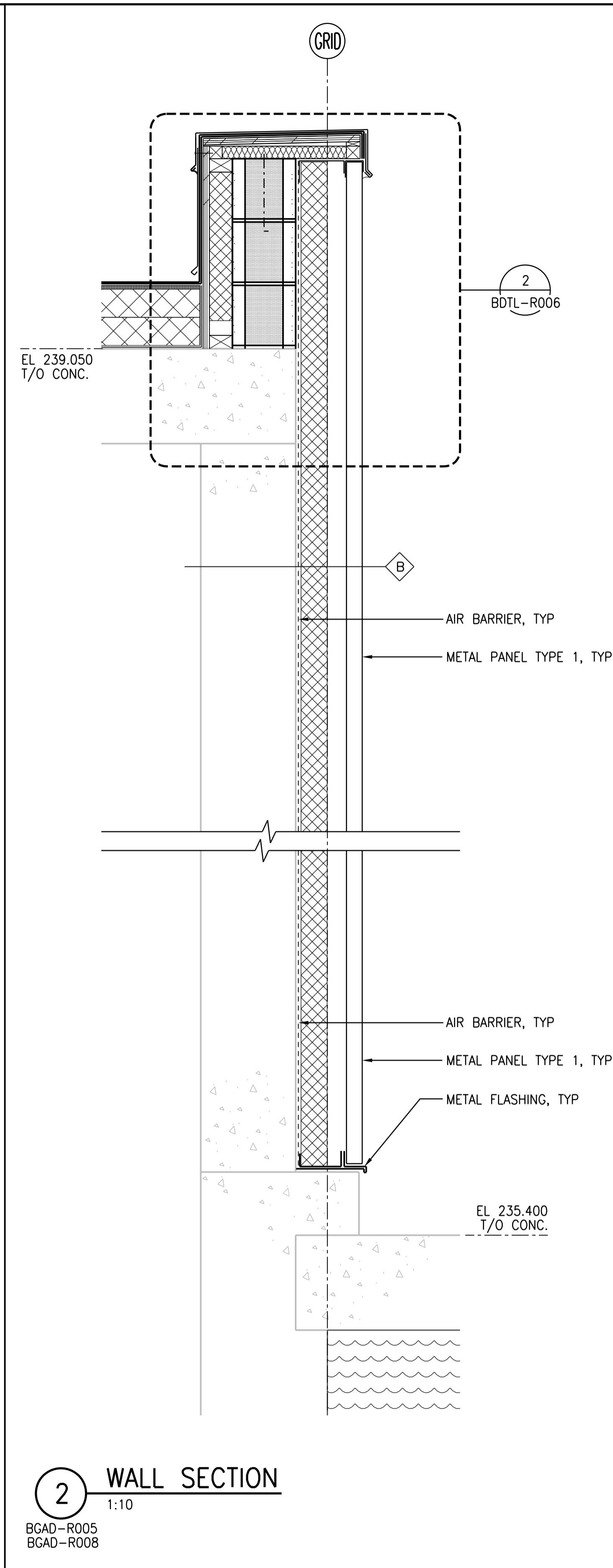


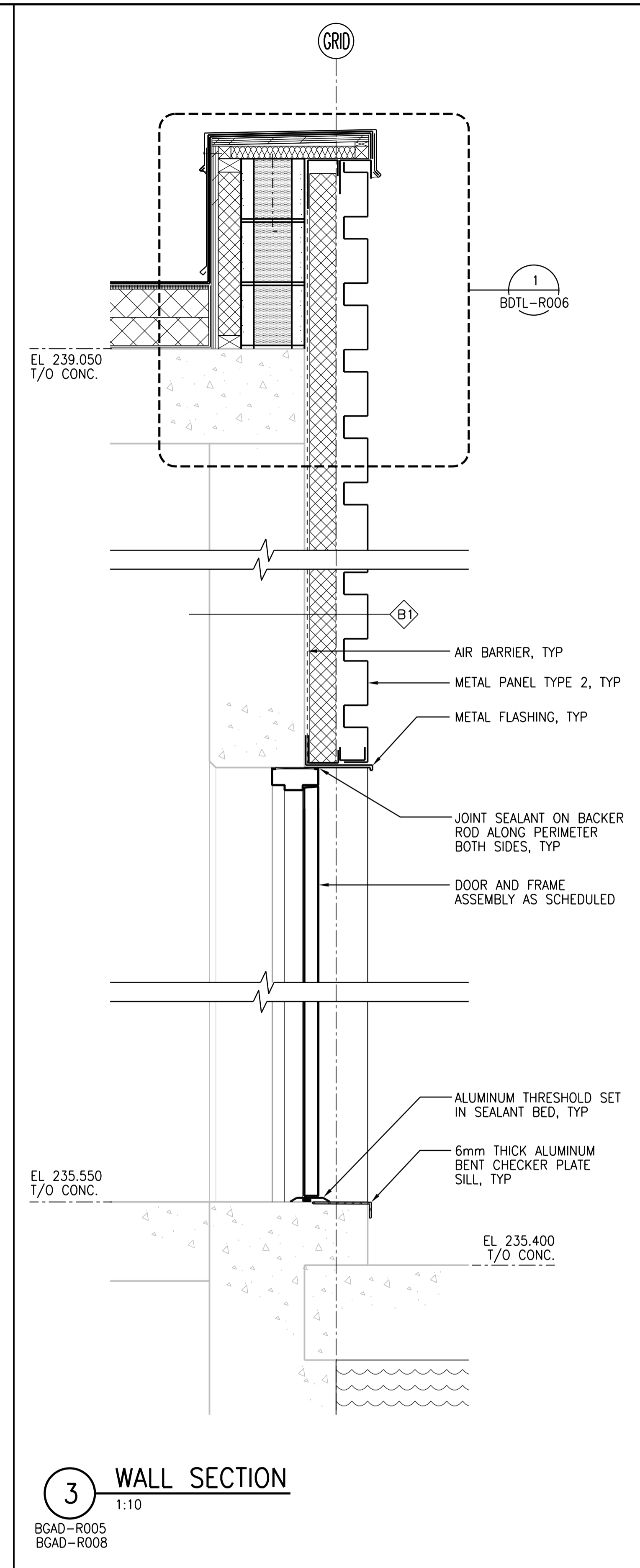
A1 SIZE - 594mm x 841mm



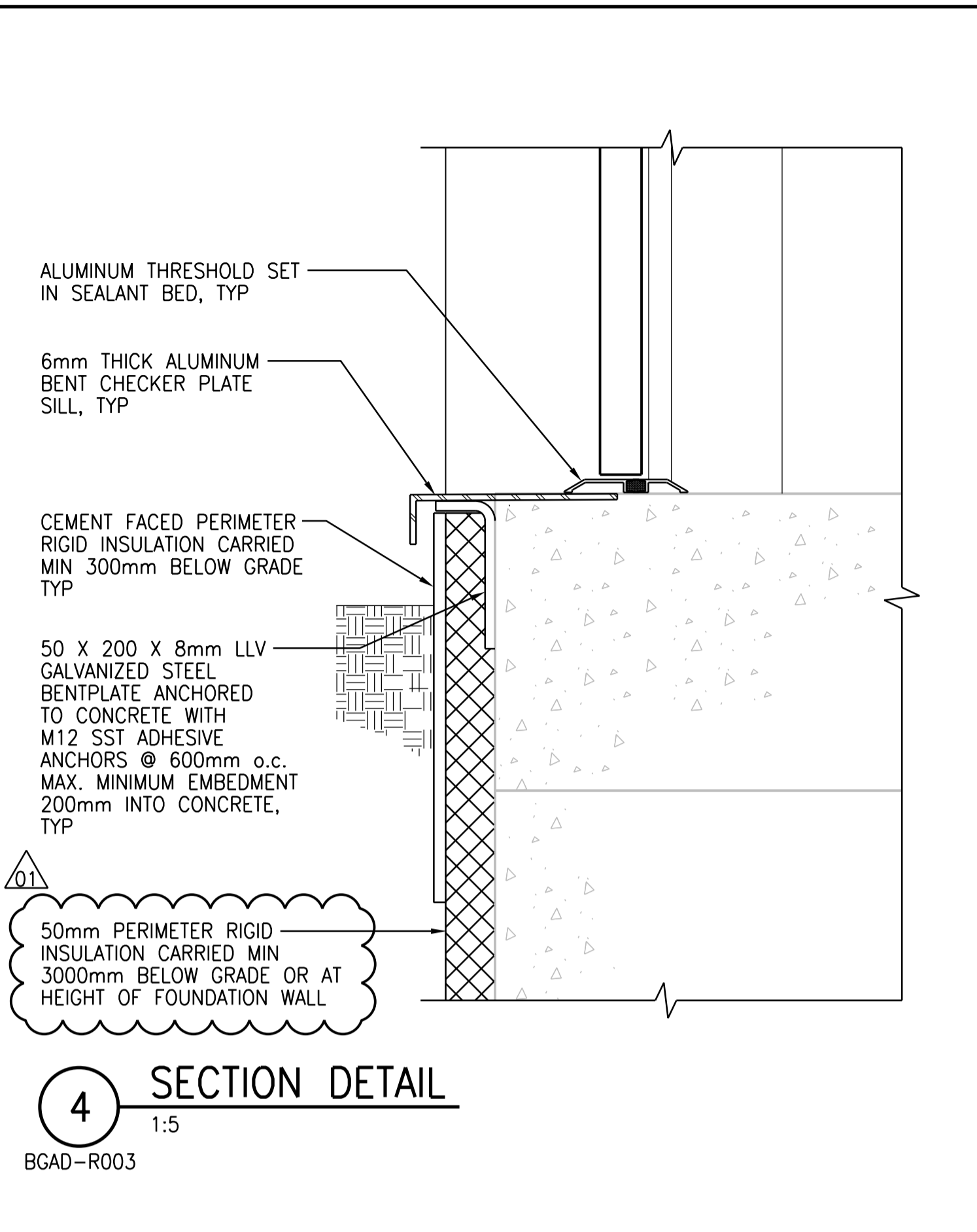
1 WALL SECTION
1:10
BGAD-R004
BGAD-R005
BGAD-R007



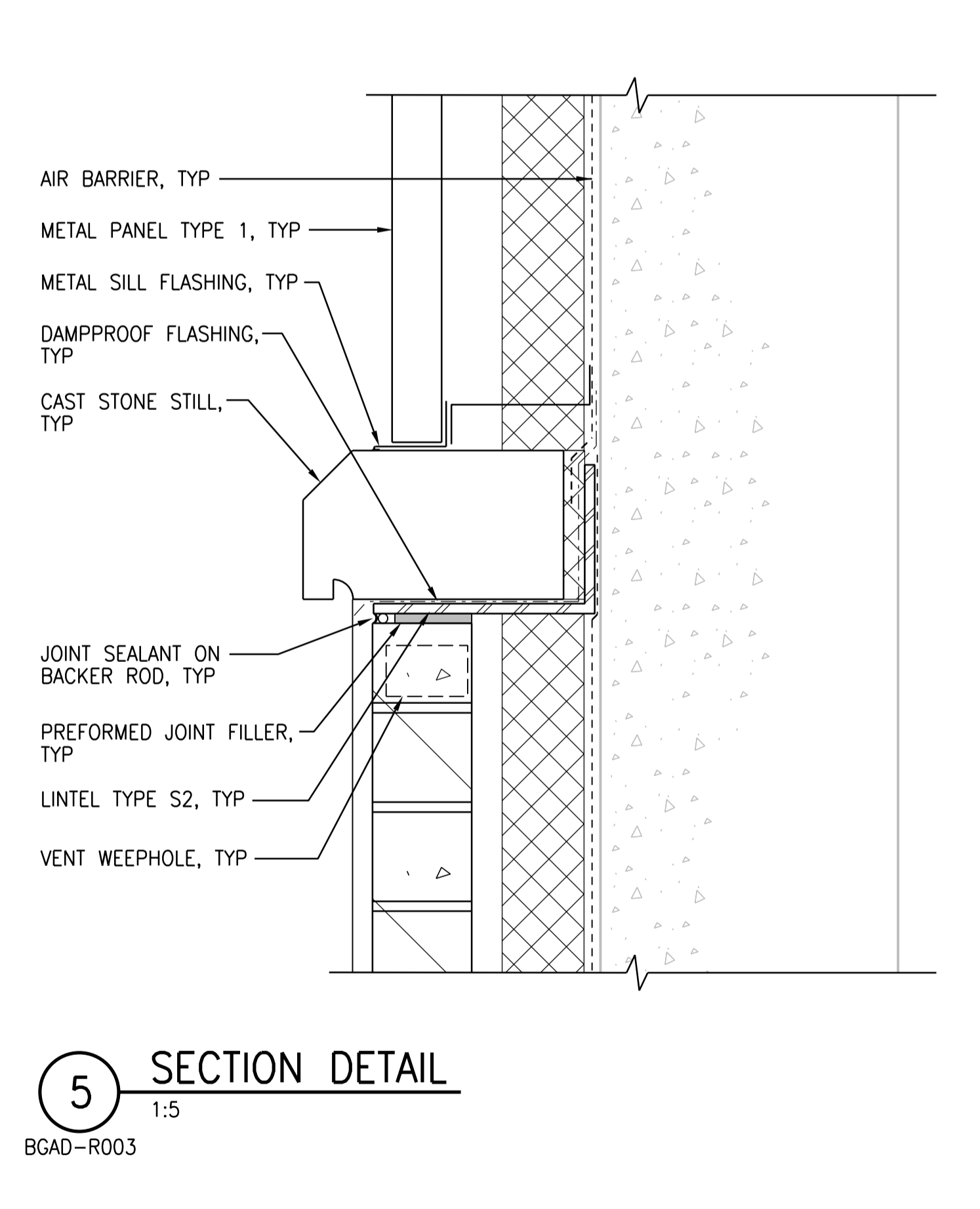
2 WALL SECTION
1:10
BGAD-R005
BGAD-R008



3 WALL SECTION
1:10
BGAD-R005
BGAD-R008



4 SECTION DETAIL
1:5
BGAD-R003



5 SECTION DETAIL
1:5
BGAD-R003

APEGM
Certificate of Authorization
CH2M HILL Canada Ltd.
No. 1441

NO.	REVISIONS	DATE	DESIGN	CHECK
01	ISSUED FOR ADDENDUM 4 - 976-2016	2017/06/30	R.B.	J.C.
00	ISSUED FOR CONSTRUCTION - 976-2016	2017/04/05	R.B.	J.C.

CH2MHILL CANADA
Architects Inc.
SNC-LAVALIN
DESIGNED BY: R. ZAKKO
DRAWN BY: R. BATHAN
SCALE: 1:10
DATE: 2017/04/05
CONSULTANT NO.: 474248

ENGINEER'S SEAL
KCS GROUP
REGISTERED ARCHITECT
REID ZAKKO
June 2017

THE CITY OF WINNIPEG
Winnipeg WATER AND WASTE DEPARTMENT
SOUTH END WATER POLLUTION CONTROL CENTRE
SEWPCC UPGRADING/EXPANSION PROJECT
BUILDING
BIOREACTORS/BLOWER BUILDING
WALL SECTIONS
CITY DRAWING NUMBER: 1-0102-BDTL-R004
SHEET: 01
REV: 01
SIZE: A1