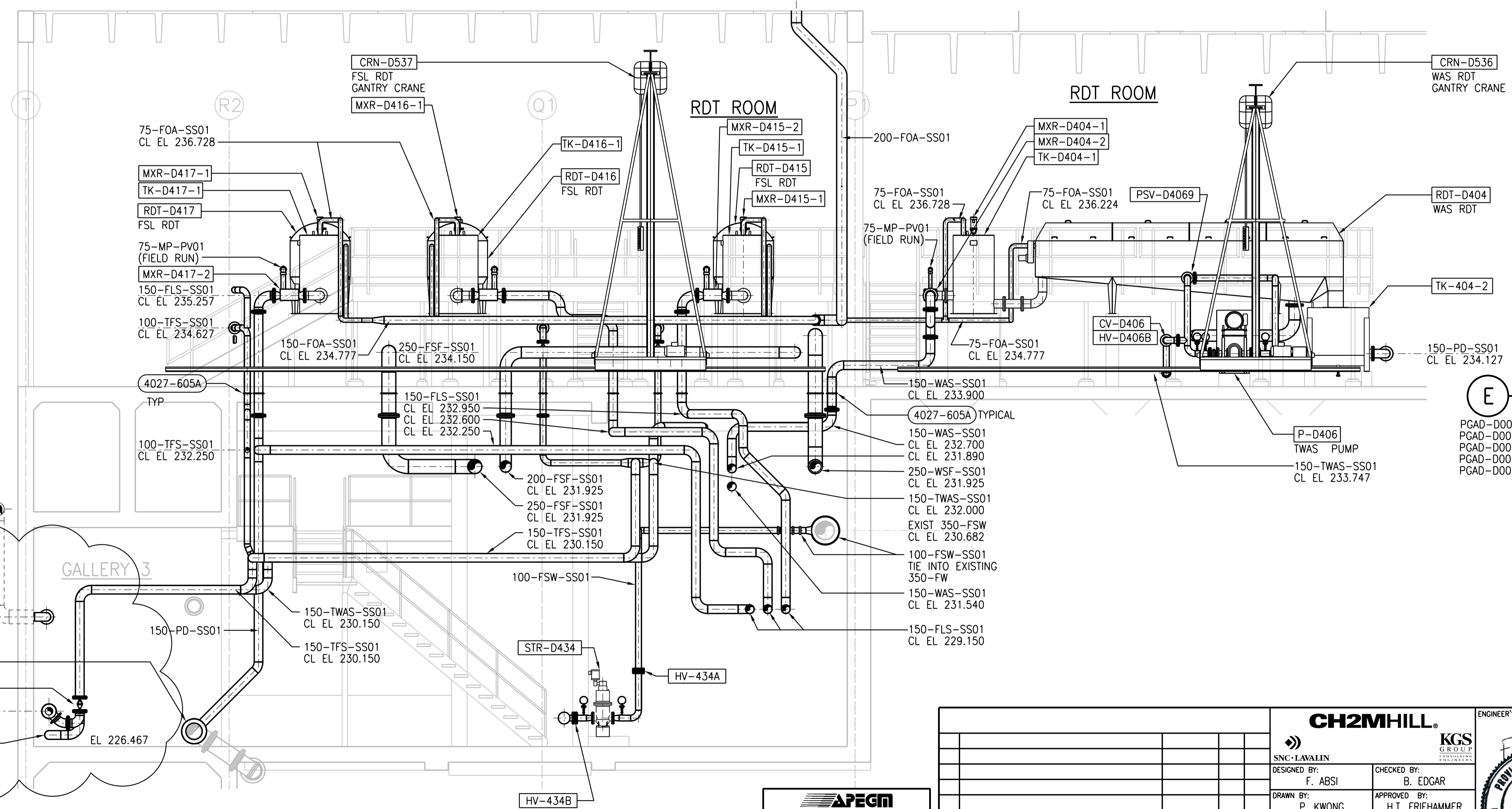
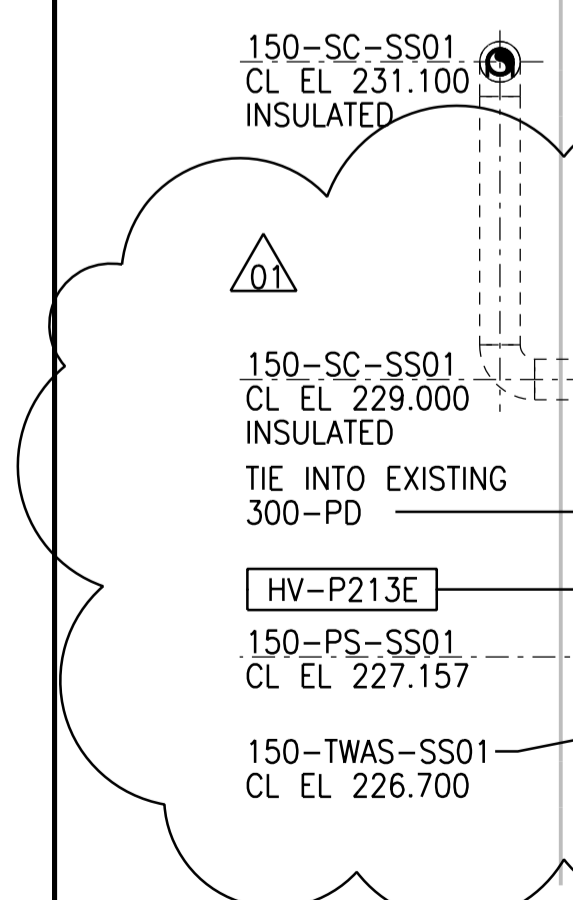


D SECTION D
1:50
PGAD-D001
PGAD-D002
PGAD-D003
PGAD-D004



E SECTION E
1:50
PGAD-D001
PGAD-D002
PGAD-D003
PGAD-D004
PGAD-D005



NOTE 1: REPLACE ADJACENT PIPE SPOOL AS NECESSARY AND PROVIDE ISOTEK ISOLATION KIT BETWEEN STAINLESS STEEL AND CARBON STEEL PIPES.

APEGM
Certificate of Authorization
CH2M HILL Canada Ltd.
No. 1441

NO.	REVISIONS	DATE	DESIGN	CHECK
01	ISSUED FOR ADDENDUM 4 - 976-2016	2017/06/30	B.C.	J.C.
00	ISSUED FOR CONSTRUCTION - 976-2016	2017/04/05	B.C.	J.C.

CH2MHILL
SNC-LAVALIN
DESIGNED BY: F. ABSI
DRAWN BY: P. KWONG
SCALE: 1:50
DATE: 2017/04/05
CONSULTANT NO.: 474248

CHECKED BY: B. EDGAR
APPROVED BY: H.T. FRIEHAMMER
ISSUED FOR CONSTRUCTION BY: J. SHUMKA
DATE: 2017/04/05

ENGINEER'S SEAL
F. J. ABSI
REGISTERED PROFESSIONAL ENGINEER
PROVINCE OF MANITOBA
Member 36875

THE CITY OF WINNIPEG
WATER AND WASTE DEPARTMENT
SOUTH END WATER POLLUTION CONTROL CENTRE
SEWPCU UPGRADING/EXPANSION PROJECT
PROCESS
FERMENTERS/THICKENERS
SECTIONS D AND E

CITY DRAWING NUMBER: 1-0102-PGAD-D008
SHEET: 001
REV: 01
SIZE: A1