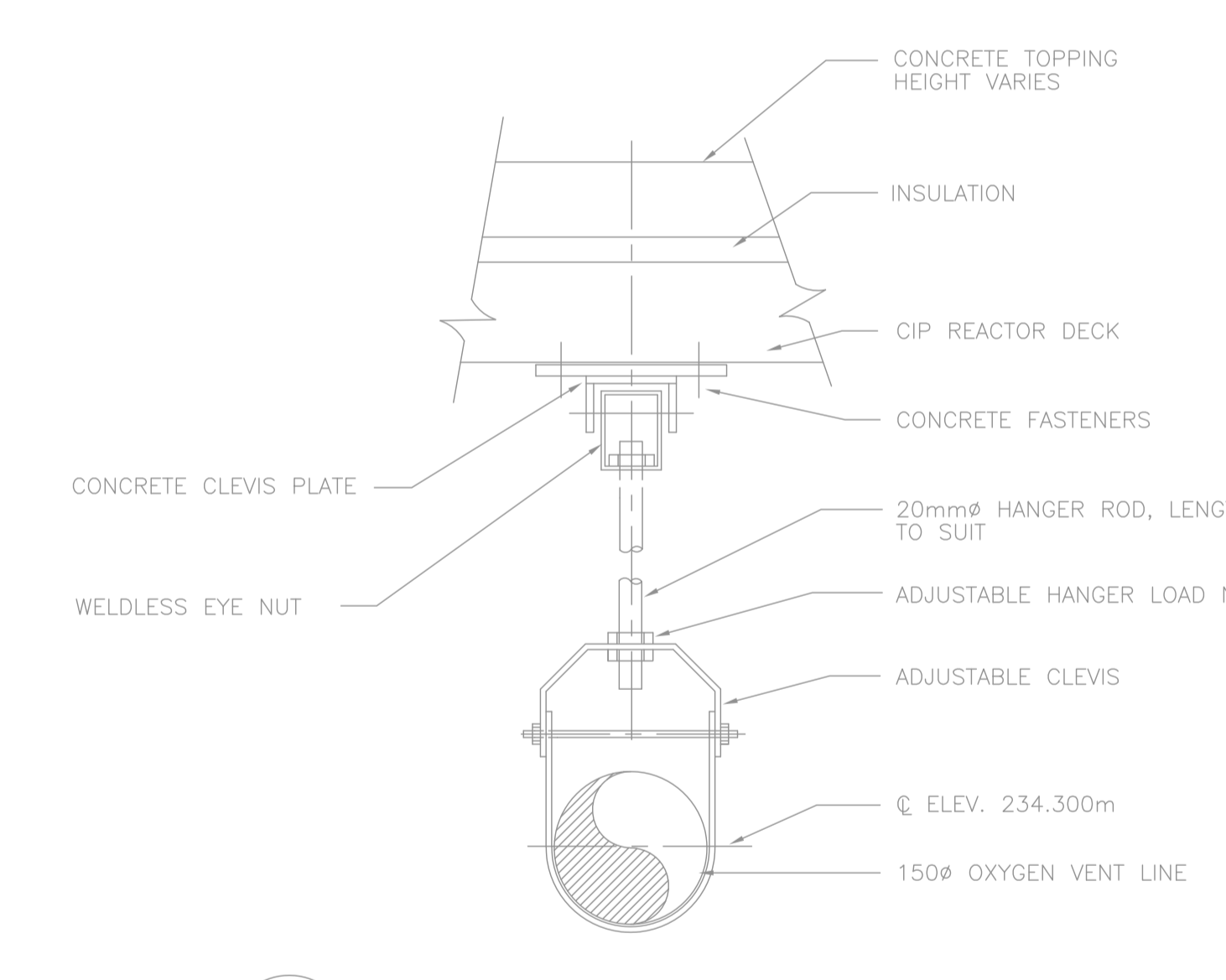


NOTE:  
ALL MATERIALS ARE GALVANIZED  
STEEL UNLESS NOTED

2 ROOF DRAIN DECK PENETRATION  
1:20

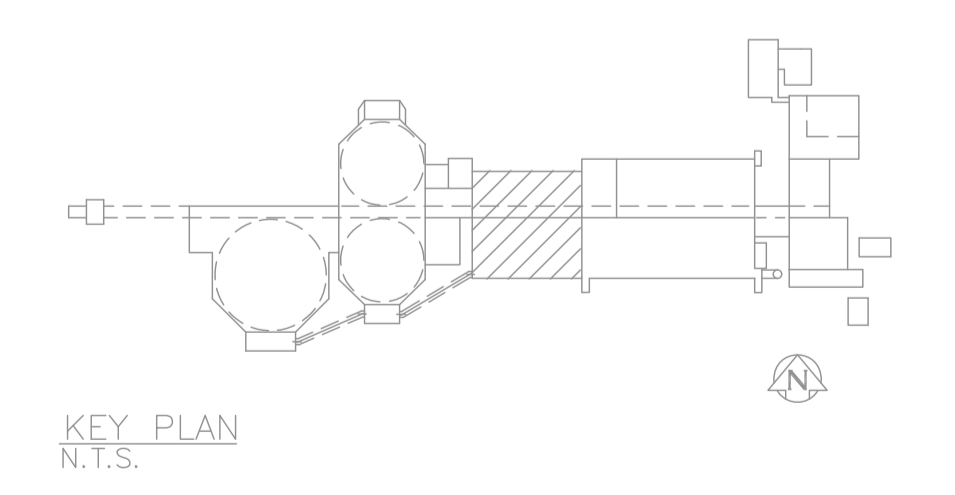


3 OXYGEN VENT LINE HANGER DETAIL  
N.T.S.

1 REACTOR DECK PLAN ELEV. 234.770m  
1:125

- NOTES:
- FOR NEW CONSTRUCTION SEE PROCESS/MECHANICAL PRIMARY SLUDGE FERMENTER/THICKENERS DRAWINGS.
  - REFER TO GENERAL DEMOLITION NOTES DRAWING 1-0102-DAAA-AD01.

AS CONSTRUCTED  
DATE SEPTEMBER 1993 BY P.R.B.  
APPROVED BY \_\_\_\_\_



B.M. ELEV.		MACLAREN ENGINEERS INC.		PROVINCE OF MANITOBA REGISTERED PROFESSIONAL ENGINEER		THE CITY OF WINNIPEG WORKS AND OPERATIONS DIVISION WATERWORKS, WASTE & DISPOSAL DEPARTMENT	
		WARDROP ENGINEERING INC.		F. J. ABSI Member 36875		SOUTH END WATER POLLUTION CONTROL CENTRE	
		ENGINEERING CONSULTANTS		CONSULTANT (NAME & NO.)		CITY DRAWING NUMBER	
		DESIGNED BY S.Q.	CHECKED BY	701		SHEET OF	
		DRAWN BY V.J.H.	APPROVED BY	701		OXYGEN REACTOR TANKS REACTOR DECK PLAN AND PIPE PENETRATION DETAILS	
		HOR. SCALE: AS SHOWN		RELEASED FOR CONSTRUCTION:		SEP-346	
01 ISSUED FOR ADDENDUM 4 - 976-2016 06/20/2017 K.F.		DATE JANUARY 1990		DATE		78012-01-19-R-M101	
00 ISSUED FOR CONSTRUCTION - 976-2016 04/05/2017 KF							
NO. REVISIONS		DATE		DATE			