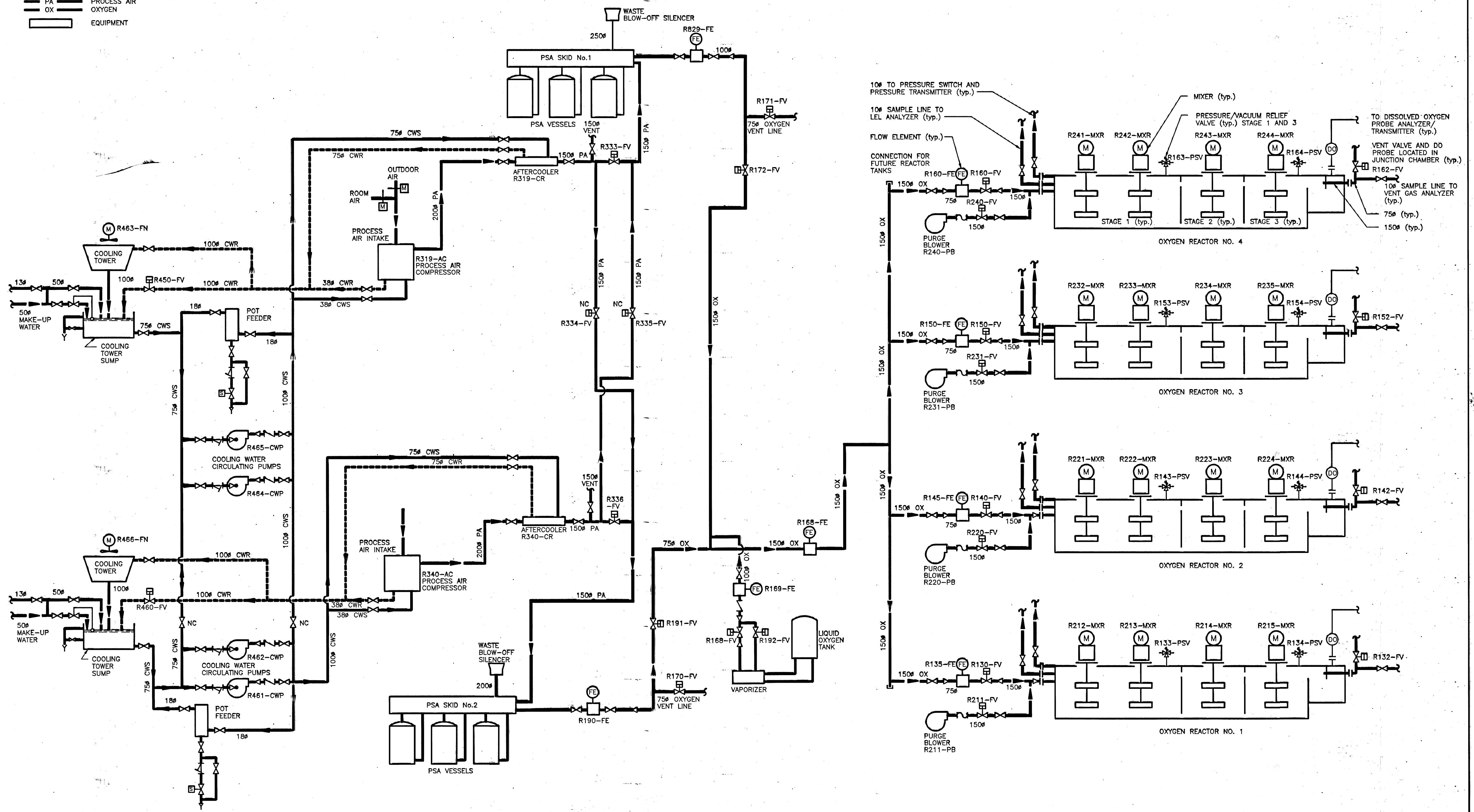


REF. OF DRAWING No. **SEP 372**
DETAILS
File # **SU 10196**

LEGEND

---	CWR	COOLING WATER RETURN
---	CWS	COOLING WATER SUPPLY
---	PA	PROCESS AIR
---	OX	OXYGEN
□	EQUIPMENT	



- NOTES:**
1. REMOVE ALL EXISTING EQUIPMENT AND PIPING SHOWN ON THIS DRAWING
 2. ISSUED FOR ADDENDUM 4 - 976-2016

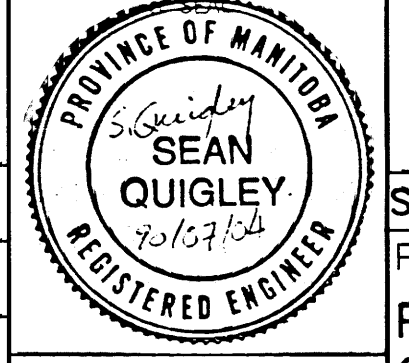
AS CONSTRUCTED

DATE SEPTEMBER 1993 BY P.R.B.

APPROVED BY Sean Quigley

B.M. ELEV.					
DESIGNED BY	S.Q.	CHECKED BY	SL		
DRAWN BY	V.J.H.	APPROVED BY	<u>Sean Quigley</u>		
HOR. SCALE:		RELEASED FOR CONSTRUCTION	<u>Sean Quigley</u>		
VERTICAL:	NOT TO SCALE	DATE	OCT. 27, 1989		
NO. REVISIONS		DATE			

ORIGINALLY DESIGNED BY



THE CITY OF WINNIPEG
WORKS AND OPERATIONS DIVISION
WATERWORKS, WASTE & DISPOSAL DEPARTMENT

SOUTH END WATER POLLUTION CONTROL CENTRE CITY DRAWING NUMBER
PSA/OXYGEN REACTOR EXPANSION-MECHANICAL SHEET OF
OXYGEN AND COOLING WATER
SCHEMATIC SEP-372

FILE # **SU 10196**