

EXTERIOR PANEL VIEW
1 : 3

INTERIOR PANEL VIEW
1 : 3

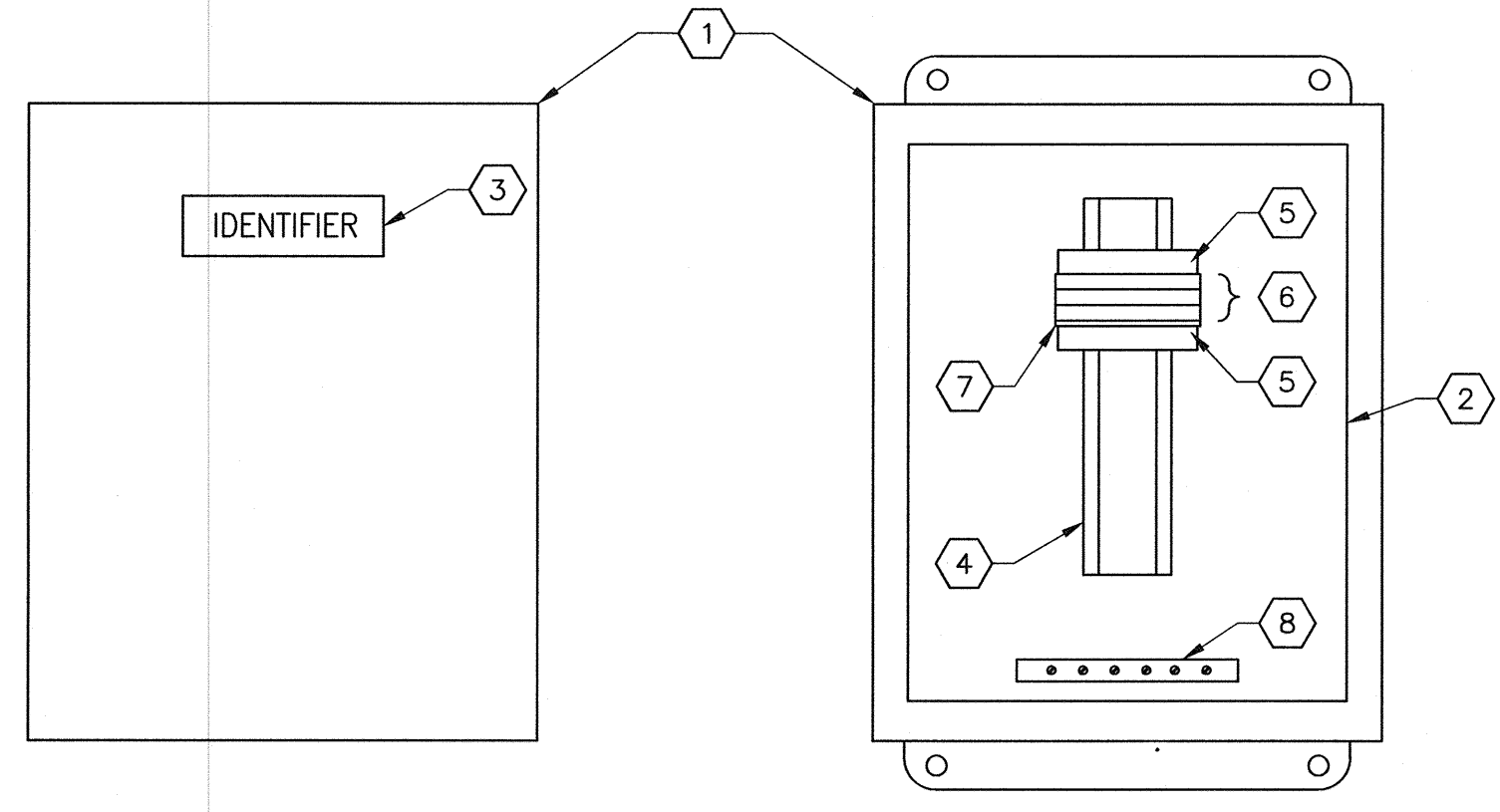
TYPICAL NEMA 12 JUNCTION BOX

BILL OF MATERIAL				
ITEM	QTY	DESCRIPTION	MANUFACTURER	CATALOG NUMBER
1	AS REQ'D	NEMA 12 ENCL. CONTINUOUS-HINGE WITH CLAMPS, 254x203x102mm	HOFFMAN	A1008CH
2	AS REQ'D	PANEL FOR ITEM 1	HOFFMAN	A10P8
3	AS REQ'D	LAMACOIDS	-	-
4	AS REQ'D	35mm DIN RAIL	PHOENIX CONTACT	0801733
5	AS REQ'D	TERMINAL END CLAMP - CLIPFIX 35	PHOENIX CONTACT	3022218
6	AS REQ'D	FEED THROUGH TERMINAL - UT 4-MTD	PHOENIX CONTACT	3046184
7	AS REQ'D	TERMINAL END PLATE - D-UT 2,5/4 TWIN	PHOENIX CONTACT	3047141
8	AS REQ'D	GROUND BAR, 6 TAPS	ILSCO	0167-6
9	AS REQ'D	NEMA 12 ENC. CONTINUOUS HINGE WITH CLAMPS	HOFFMAN	A2012CH
10	AS REQ'D	NARROW SLOT WIRING DUCT AND COVER	PANDUIT	F1.5x3LG6

JUNCTION BOX SCHEDULE		
IDENTIFIER	NUMBER OF TERMINALS	DESCRIPTION
JBA-G6108	6	AHU-G640 INTAKE DAMPER FV-G6108
JBA-G6208	6	AHU-G649 INTAKE DAMPER FV-G6208
JBA-G6122	7	EXHAUST FAN EF-G612 DAMPER XV-G6121
JBA-G9671	3	ELECTRICAL ROOM EXTERIOR DOOR
JBA-G968	6	SOUTH STAIR DOOR SWITCH AND WINDOW BREAK
JBA-G9691	3	MECHANICAL ROOM EXTERIOR DOOR
JBA-G103-1	19	P-G103 RAW SEWAGE PUMP
JBA-G103-2	10	P-G103 RAW SEWAGE PUMP

SPECIFIC NOTES:

① FOR JBA-G103-1 AND JBA-G103-2 USE A LARGER BOX (TEM 9) AND PROVIDE WIREWAYS (ITEM 10) ON BOTH SIDE OF TERMINALS.



EXTERIOR PANEL VIEW
1 : 3

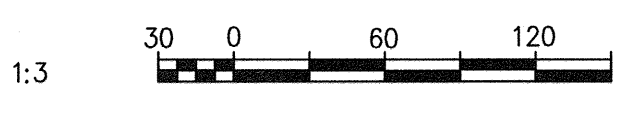
INTERIOR PANEL VIEW
1 : 3

TYPICAL NEMA 4 JUNCTION BOX

BILL OF MATERIAL				
ITEM	QTY	DESCRIPTION	MANUFACTURER	CATALOG NUMBER
1	AS REQ'D	NEMA 4 ENCL. CONTINUOUS-HINGE WITH CLAMPS, 254x203x102mm	HOFFMAN	A1008CHNF
2	AS REQ'D	PANEL FOR ITEM 1	HOFFMAN	A10P8
3	AS REQ'D	LAMACOIDS	-	-
4	AS REQ'D	35mm DIN RAIL	PHOENIX CONTACT	0801733
5	AS REQ'D	TERMINAL END CLAMP - CLIPFIX 35	PHOENIX CONTACT	3022218
6	AS REQ'D	FEED THROUGH TERMINAL - UT 4-MTD	PHOENIX CONTACT	3046184
7	AS REQ'D	TERMINAL END PLATE - D-UT 2,5/4 TWIN	PHOENIX CONTACT	3047141
8	AS REQ'D	GROUND BAR, 6 TAPS	ILSCO	0167-6

JUNCTION BOX SCHEDULE		
IDENTIFIER	NUMBER OF TERMINALS	DESCRIPTION
JBA-G102	5	P-G102 SEAL WATER PSL-G1023 AND YV-G1022
JBA-G1024	3	P-G102 PUMP VIBRATION SENSOR
JBA-G323	6	P-G323 SEAL WATER PSL-G3234 AND YV-G3235
JBA-G324	6	P-G324 SEAL WATER PSL-G3244 AND YV-G3245
JBA-G325	6	P-G325 SEAL WATER PSL-G3254 AND YV-G3255
JBA-G2302	3	SLUICE LEVEL SWITCH - LSH-G2302
JBA-G5212	3	SUMP LEVEL SWITCH - LSH-G5212
JBA-G5312	3	SUMP LEVEL SWITCH - LSH-G5312
JBA-G6931	7	EXHAUST FAN EF-G693 DAMPER XV-G6931

REFERENCE DRAWINGS	DESCRIPTION

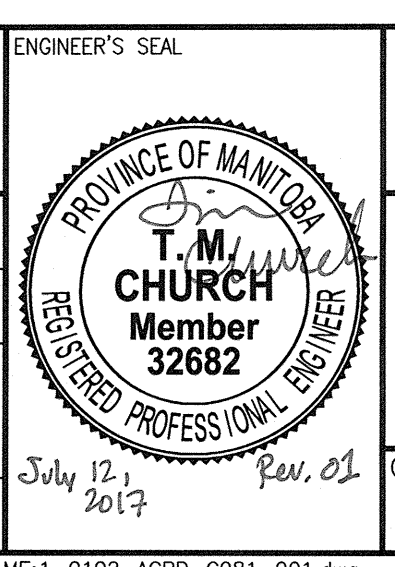


NO.	REVISIONS	DATE	DESIGN	CHECK
01	ISSUED FOR ADDENDUM 5 - 976-2016	2017/07/14	SSB	TMC
00	ISSUED FOR CONSTRUCTION - 976-2016	2017/04/05	SSB	TMC

CH2MHILL.
SNC-Lavalin

DESIGNED BY: S. BOGHOSIAN
DRAWN BY: S. BOGHOSIAN
SCALE: 1:3
DATE: 2016/04/11
CONSULTANT NO.: 474248

CHECKED BY: T. CHURCH
APPROVED BY: E. RYCZKOWSKI
ISSUED FOR CONSTRUCTION BY: J. SHUMKA
DATE: 2017/04/05



THE CITY OF WINNIPEG
WATER AND WASTE DEPARTMENT

SOUTH END WATER POLLUTION CONTROL CENTRE
SEWPCC UPGRADING/EXPANSION PROJECT
AUTOMATION - CABINET LAYOUT
HEADWORKS AREA
JUNCTION BOXES

CITY DRAWING NUMBER: 1-0102-ACBD-G081
SHEET: 001
REV: 01
SIZE: A1