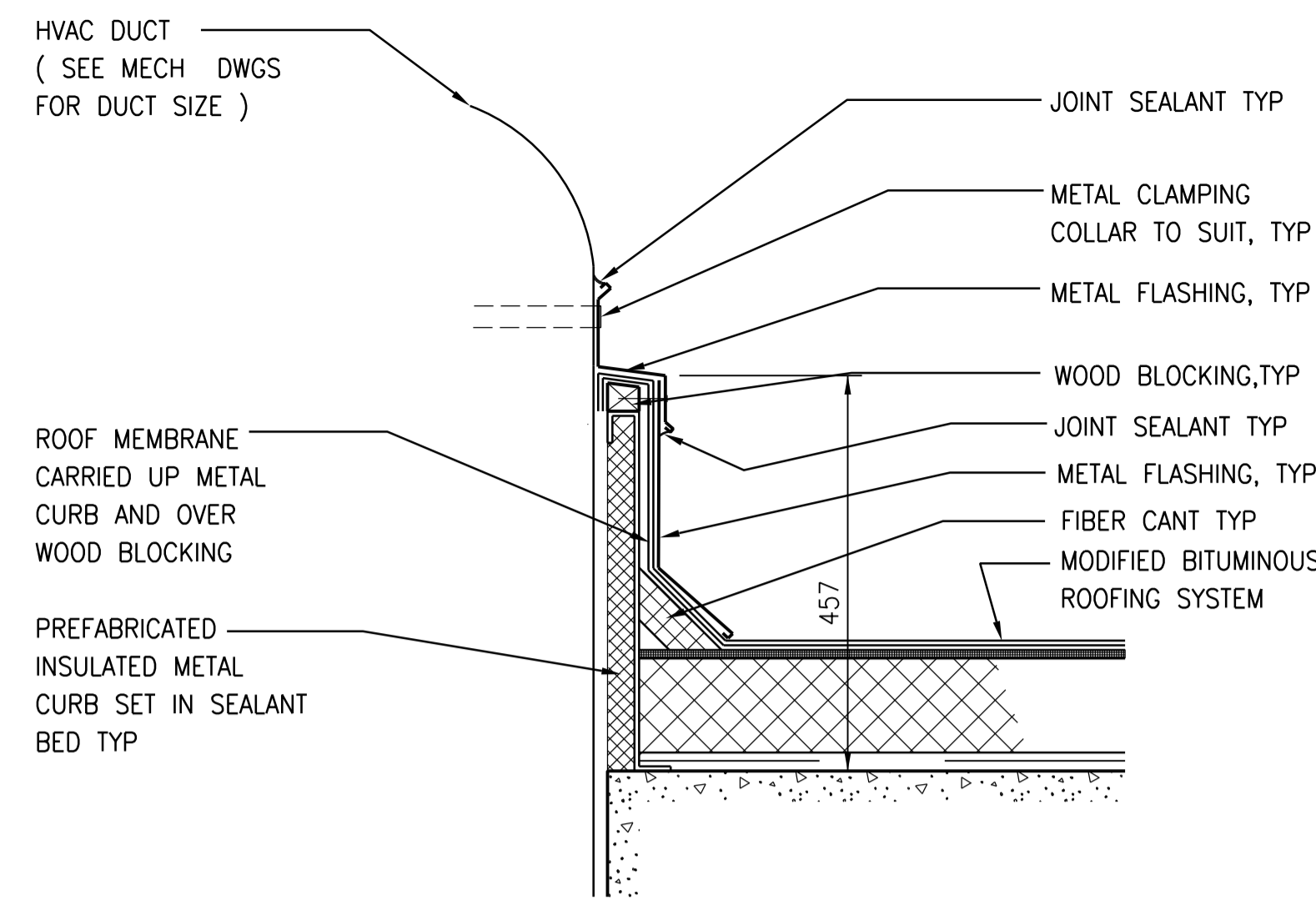
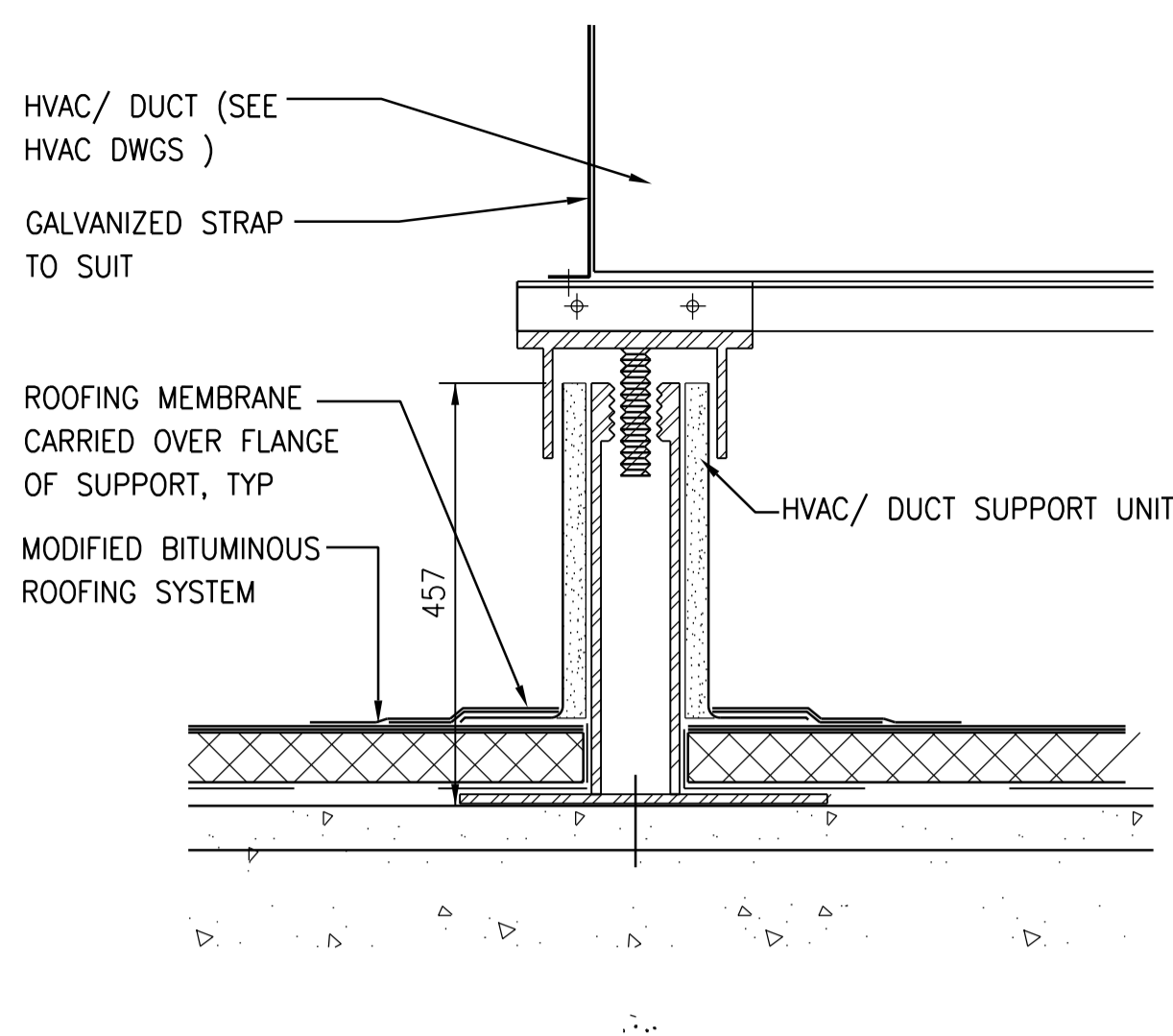


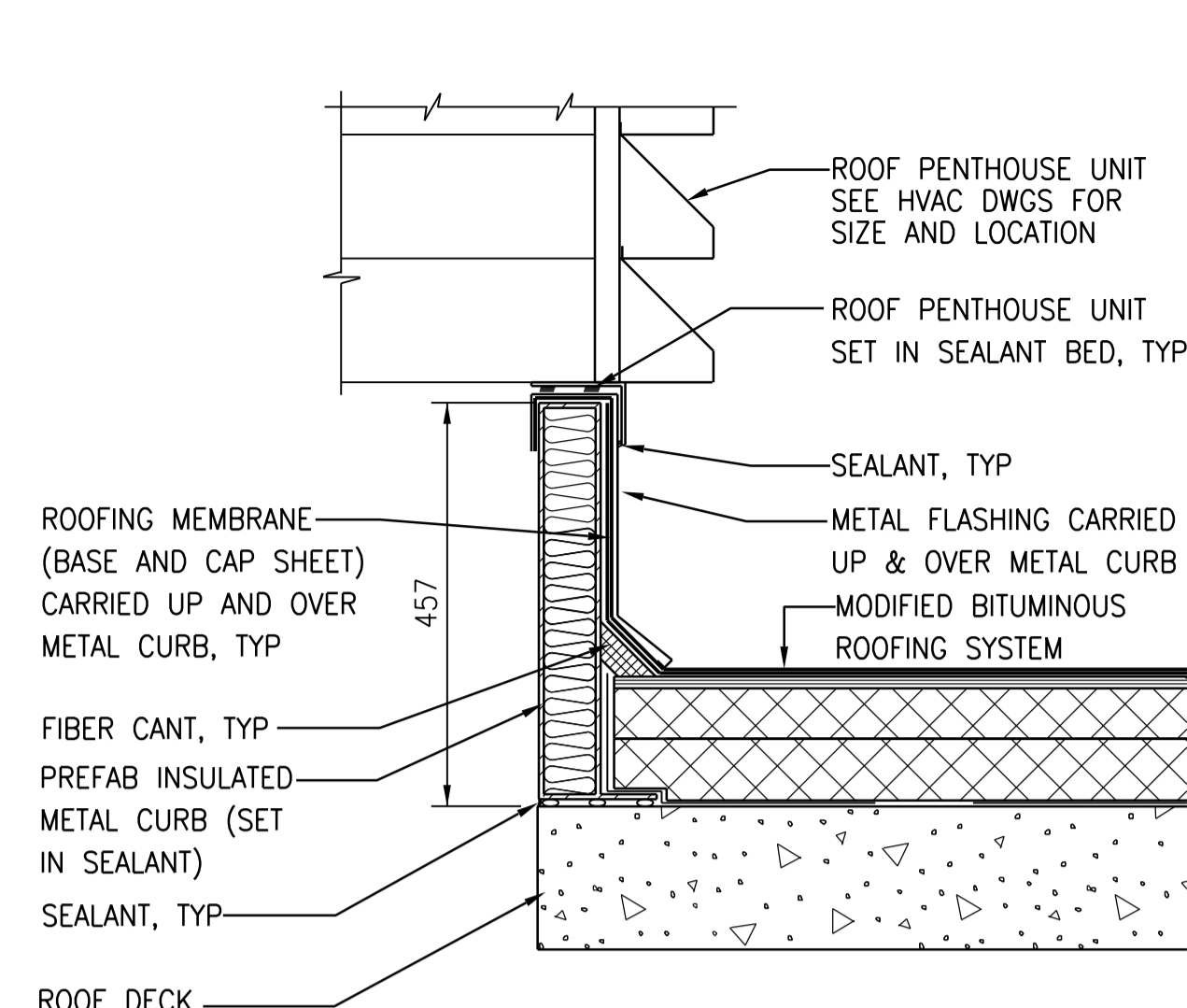
A1 SIZE - 594mm x 841mm



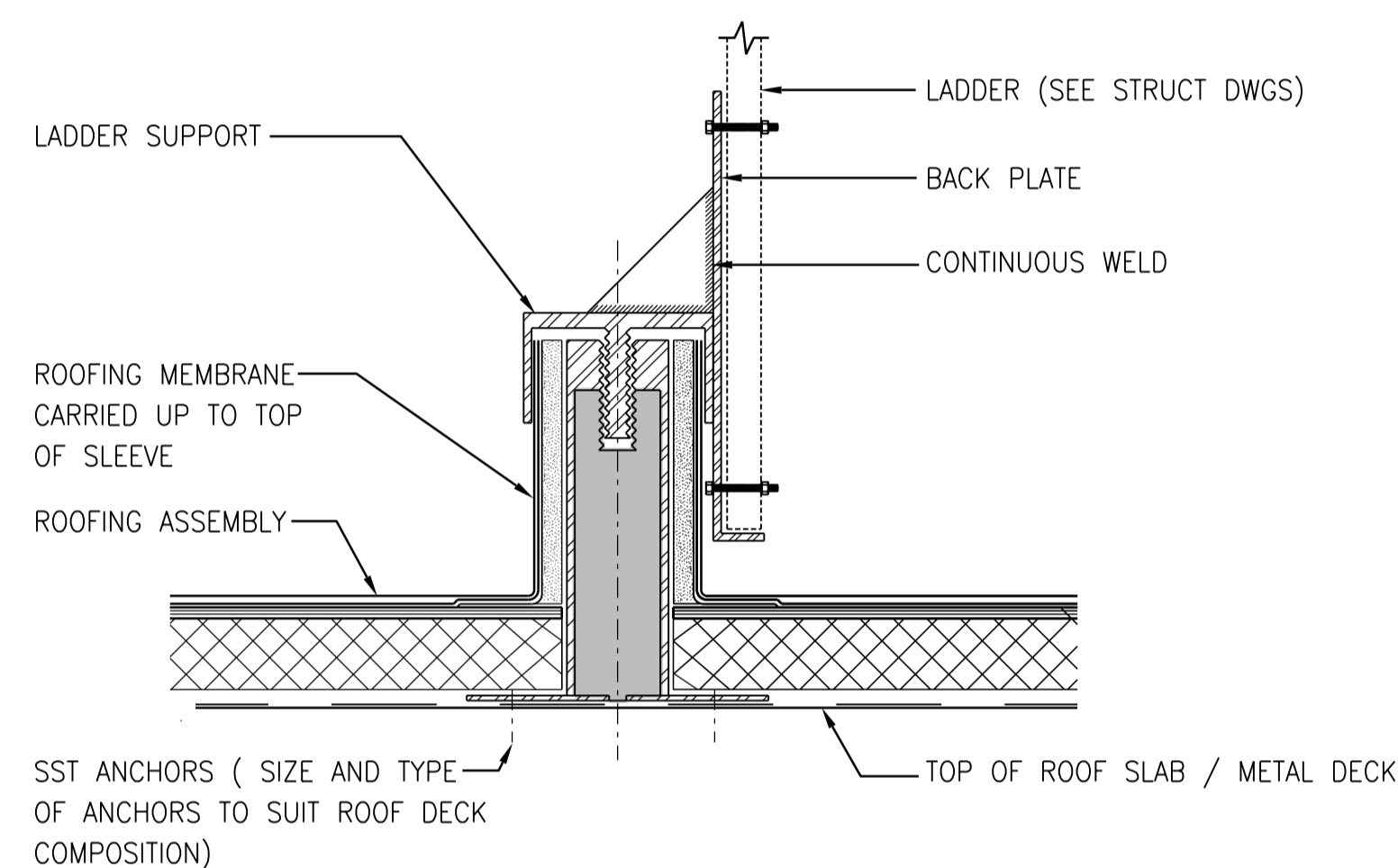
1 SECTION DETAIL-DUCT PENETRATION THROUGH ROOF
1:8



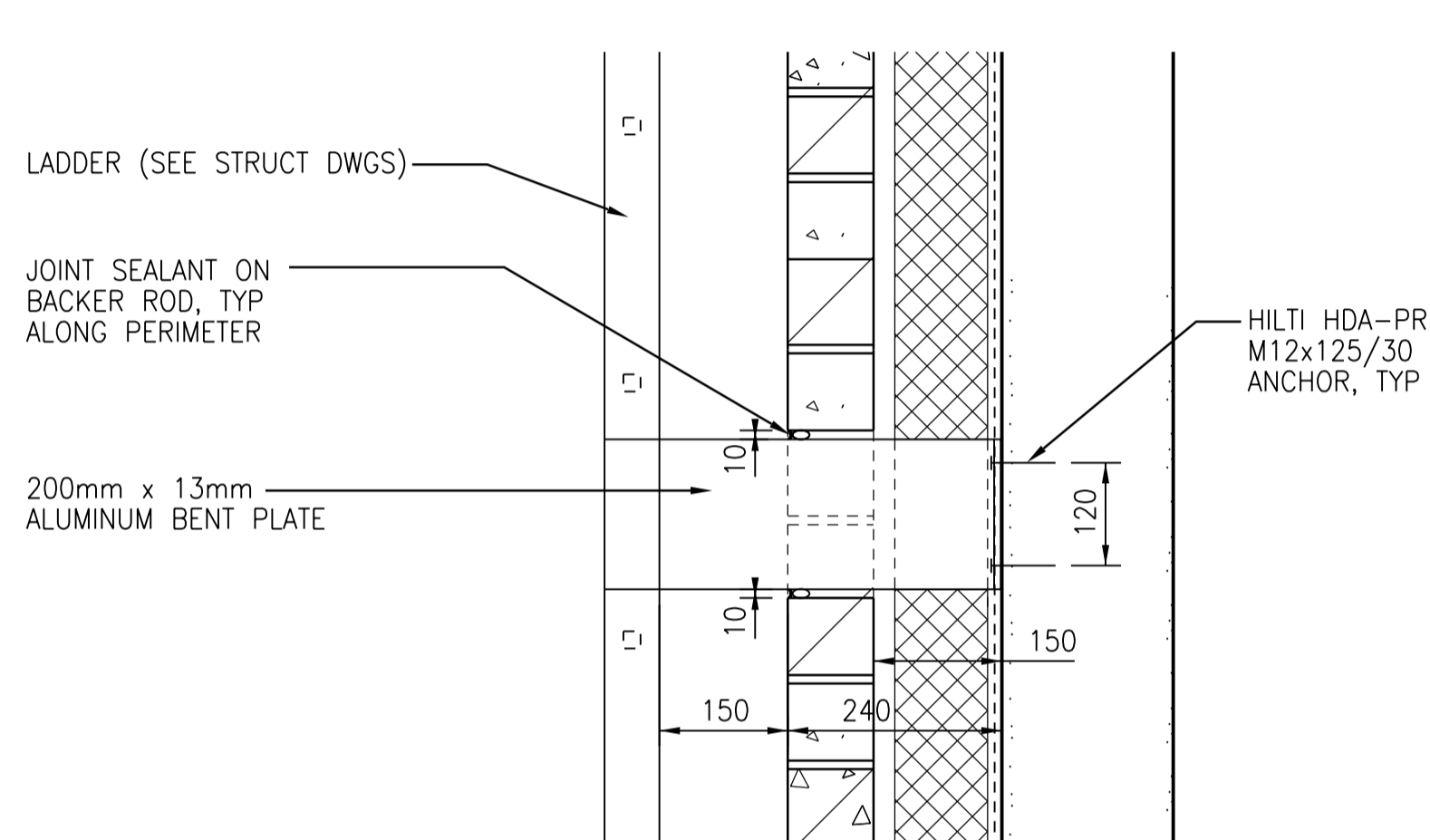
2 SECTION DETAIL-DUCT/HVAC UNIT SUPPORT AT ROOF
1:8



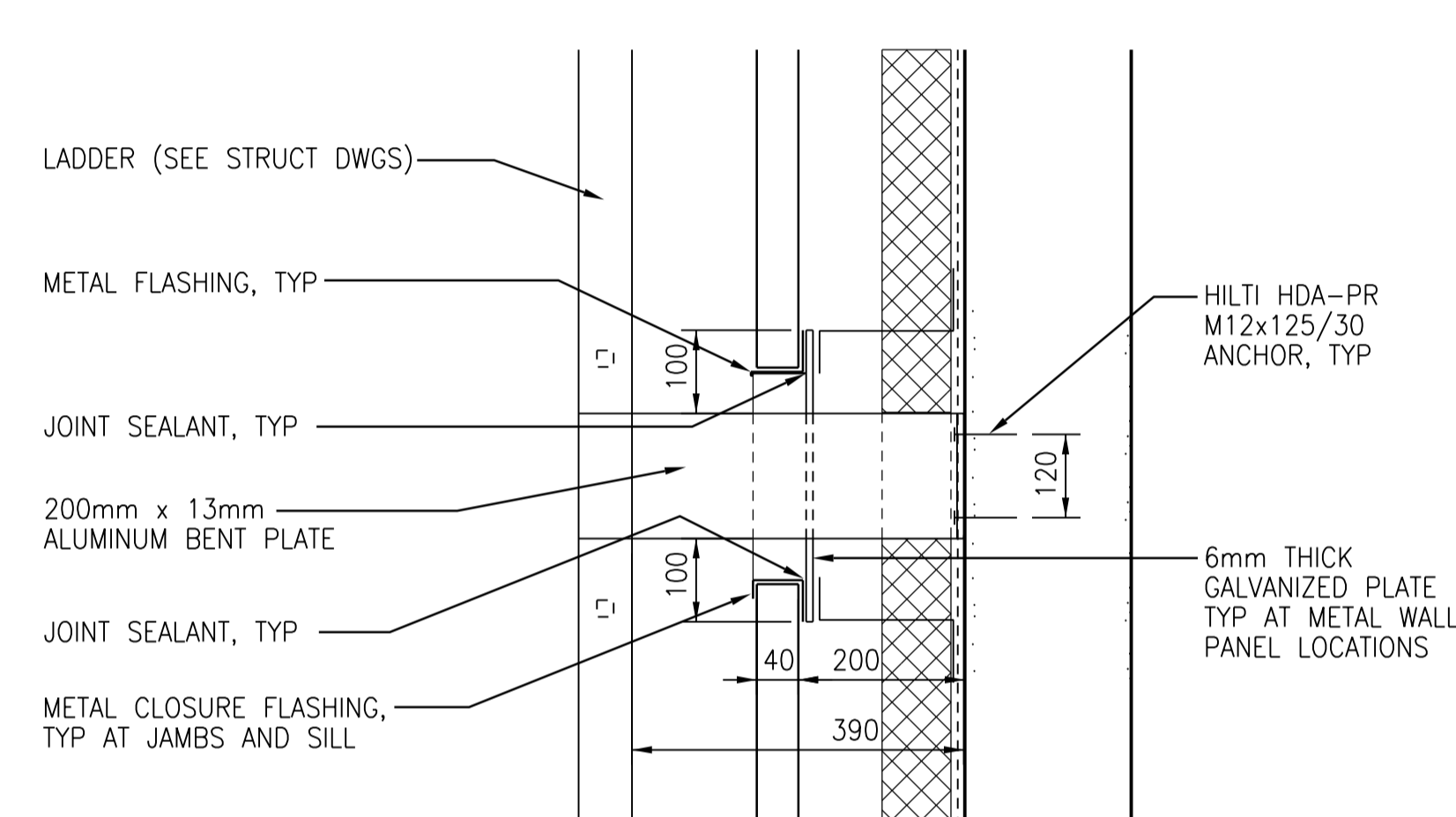
3 SECTION DETAIL-ROOF PENTHOUSE UNIT
1:8



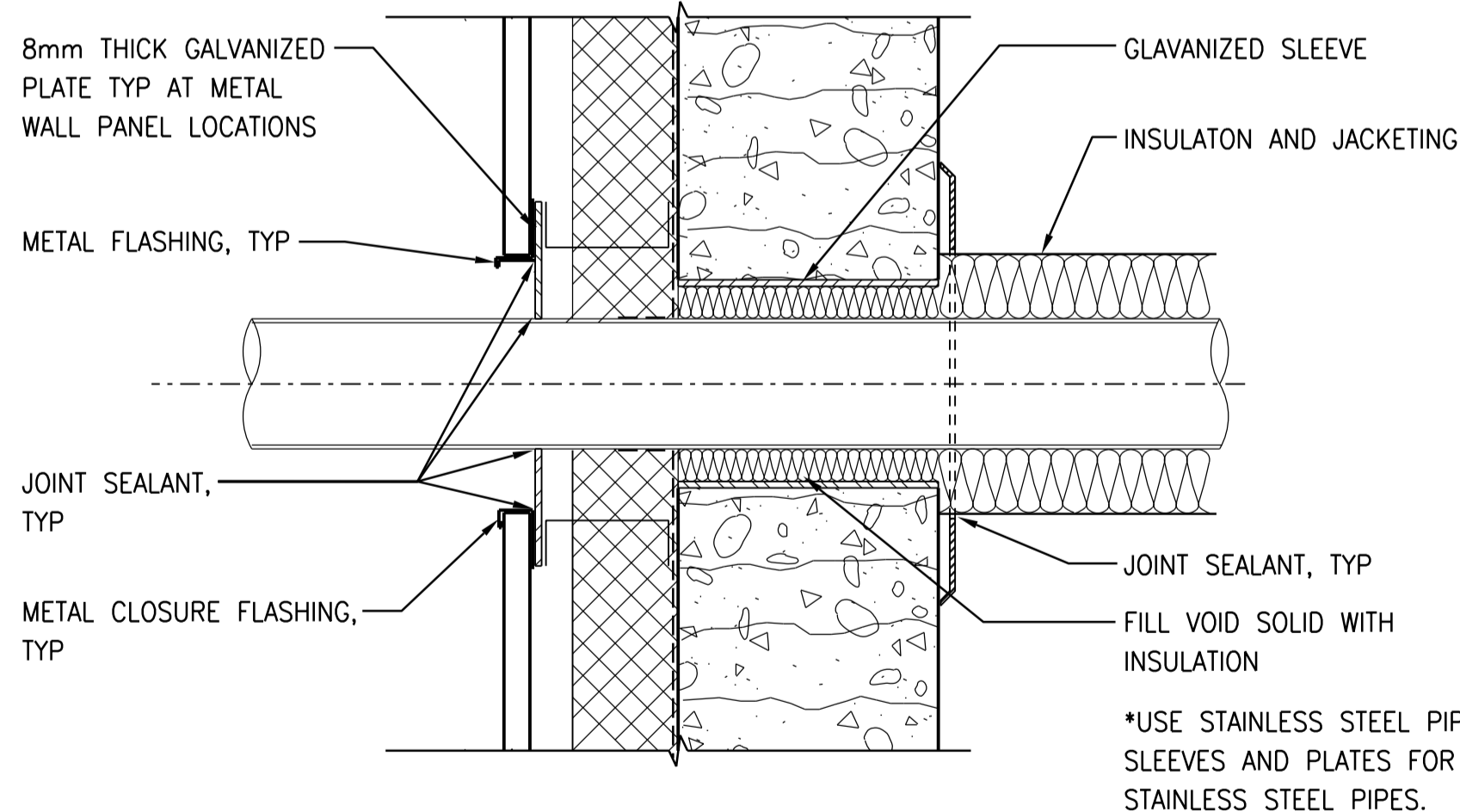
4 SECTION DETAIL-ROOF LADDER SUPPORT
1:8



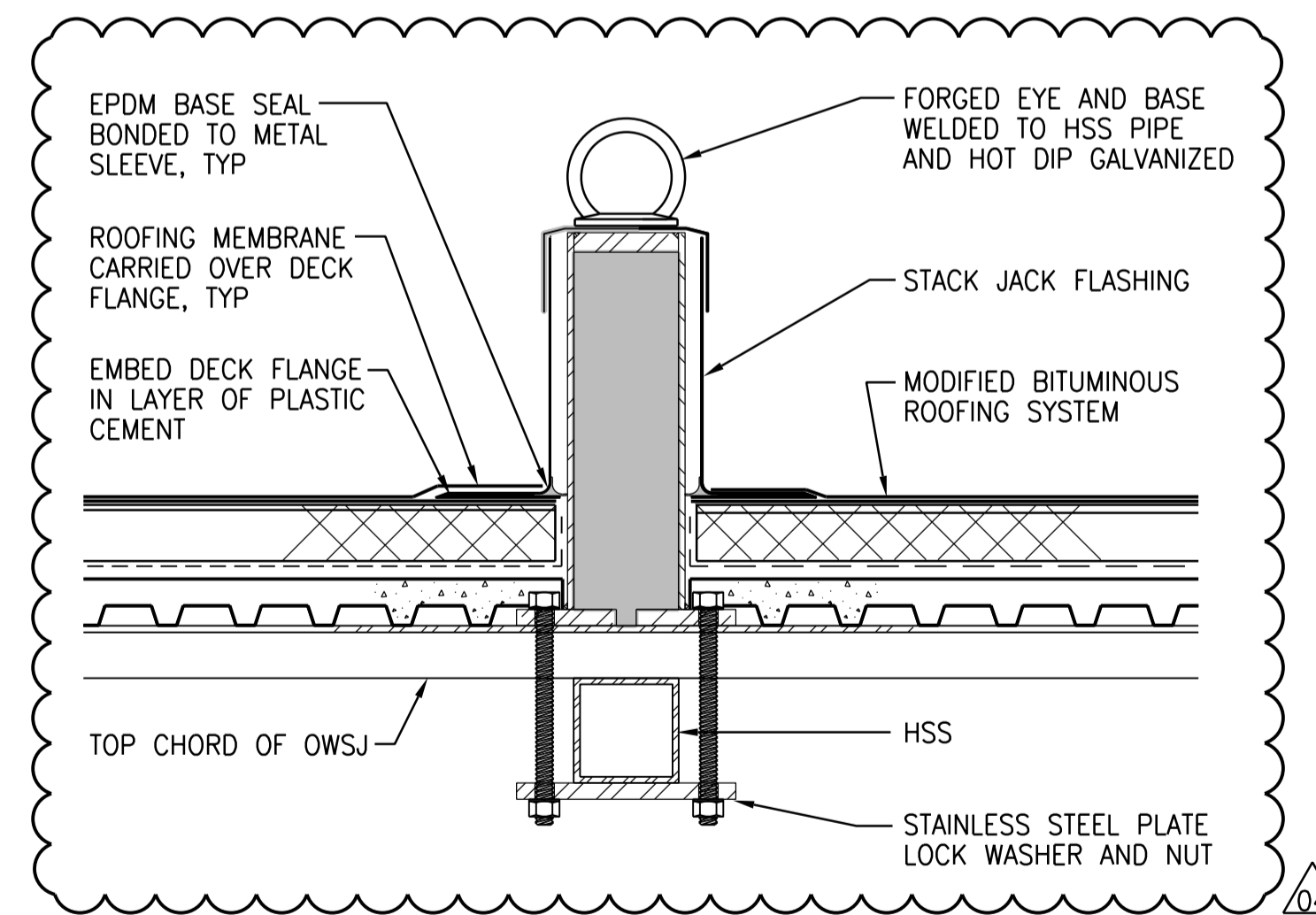
5 SECTION DETAIL-LADDER SUPPORT AT STONE VENEER
1:8



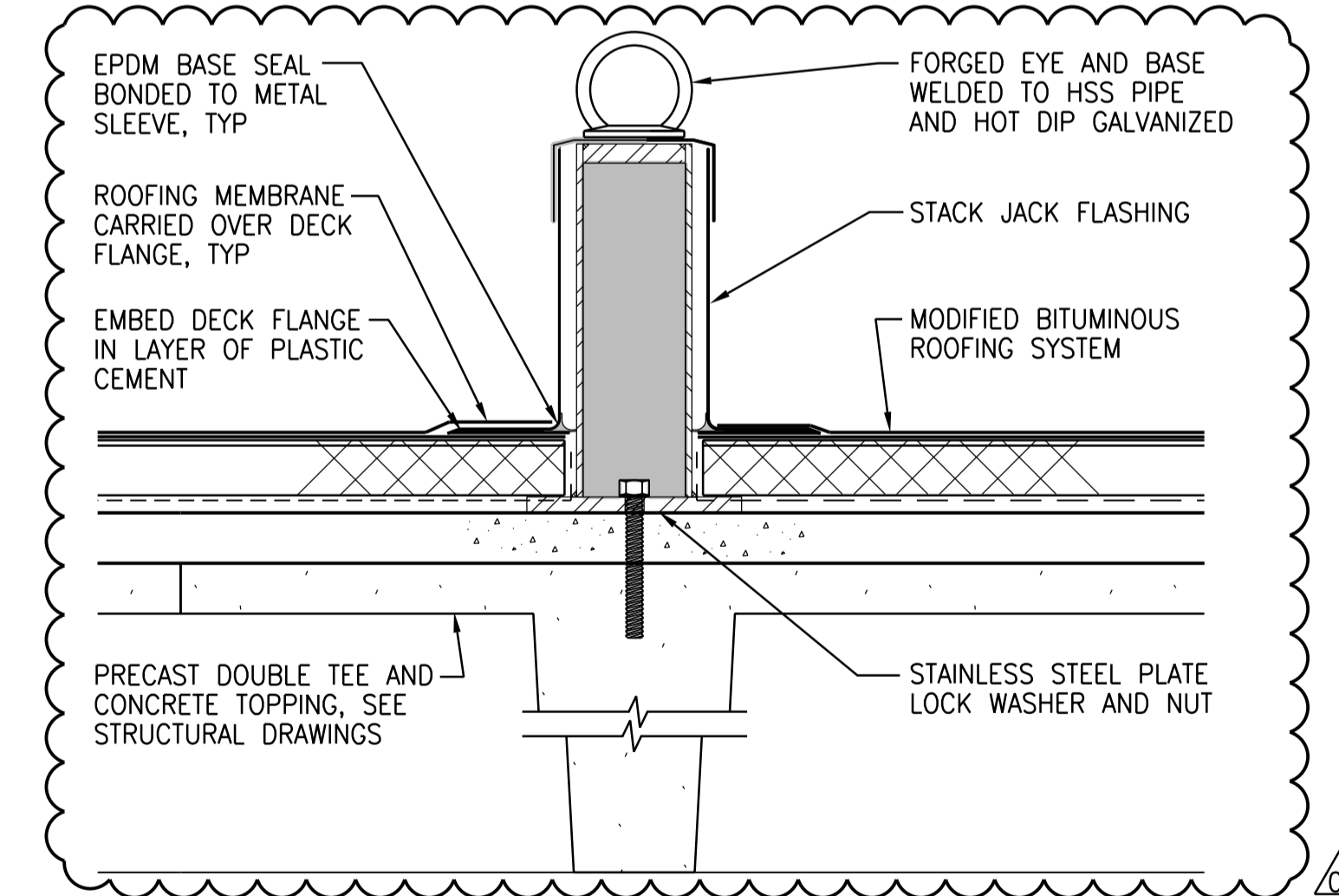
6 SECTION DETAIL-LADDER SUPPORT AT METAL PANEL
1:8



7 PIPE THROUGH EXTERIOR WALL (@ METAL WALL PANELS)
1:10



8 SECTION DETAIL- ROOF FALL ARREST ANCHOR (BOLT AROUND OWSJ)
NTS



9 SECTION DETAIL- ROOF FALL ARREST ANCHOR (FOR DOUBLE T-JOIST)
NTS



NO.	REVISIONS	DATE	DESIGN	CHECK
04	ISSUED FOR ADDENDUM 6 - 976-2016	2017/07/19	R.B.	J.C.
03	ISSUED FOR CONSTRUCTION - 976-2016	2017/04/05	M.R.	J.C.
02	ISSUED FOR 90% PRELIMINARY REVIEW	2016/09/08	M.R.	J.C.
01	ISSUED FOR CONSTRUCTION	10/2015	N.B.	J.C.
00	ISSUED FOR TENDER	08/2015	N.B.	J.C.

CH2MHILL CANADA Architects Inc.

SNC-LAVALIN

DESIGNED BY: R. ZAKKO

CHECKED BY: B. KOLIS-HUPA

DRAWN BY: N. BOYCHUK

APPROVED BY: H.T. FREIHAMMER

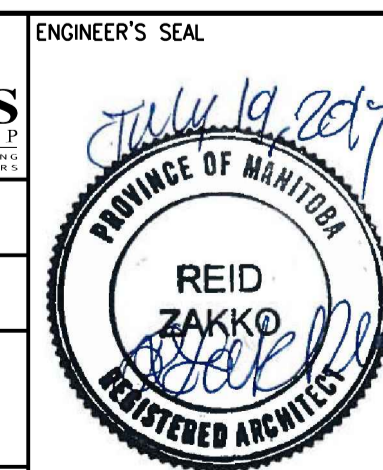
SCALE: AS SHOWN

ISSUED FOR CONSTRUCTION

DATE: 2017/04/05

DATE: 2017/04/05

CONSULTANT NO.: 474248



THE CITY OF WINNIPEG WATER AND WASTE DEPARTMENT

SOUTH END WATER POLLUTION CONTROL CENTRE SEWPCC UPGRADING/EXPANSION PROJECT BUILDING

STANDARD DETAILS (2)

CITY DRAWING NUMBER: 1-0102-BDTL-A004

SHEET: 04

REV: 04

SIZE: A1

©CH2M HILL 2017. ALL RIGHTS RESERVED.