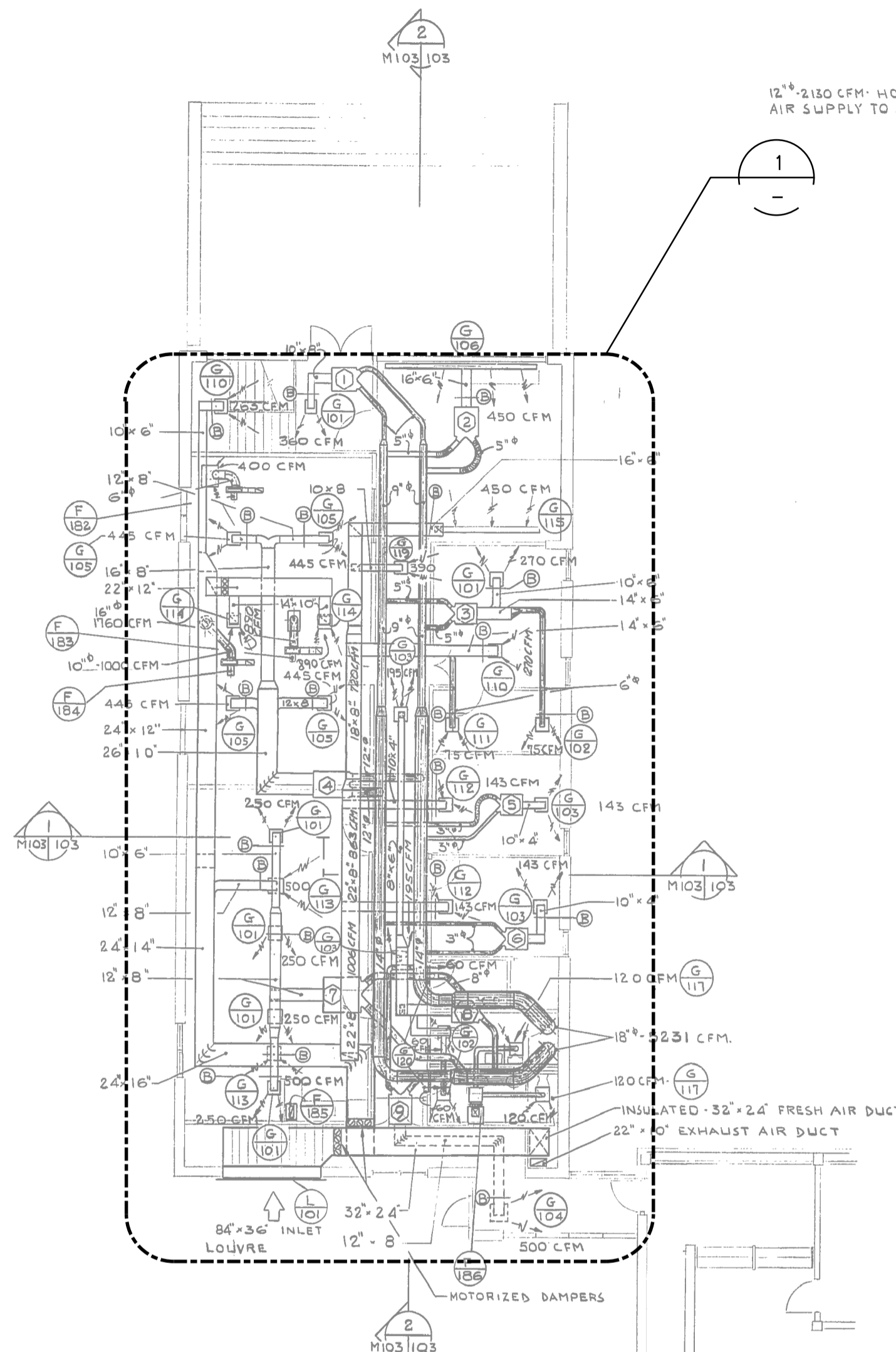
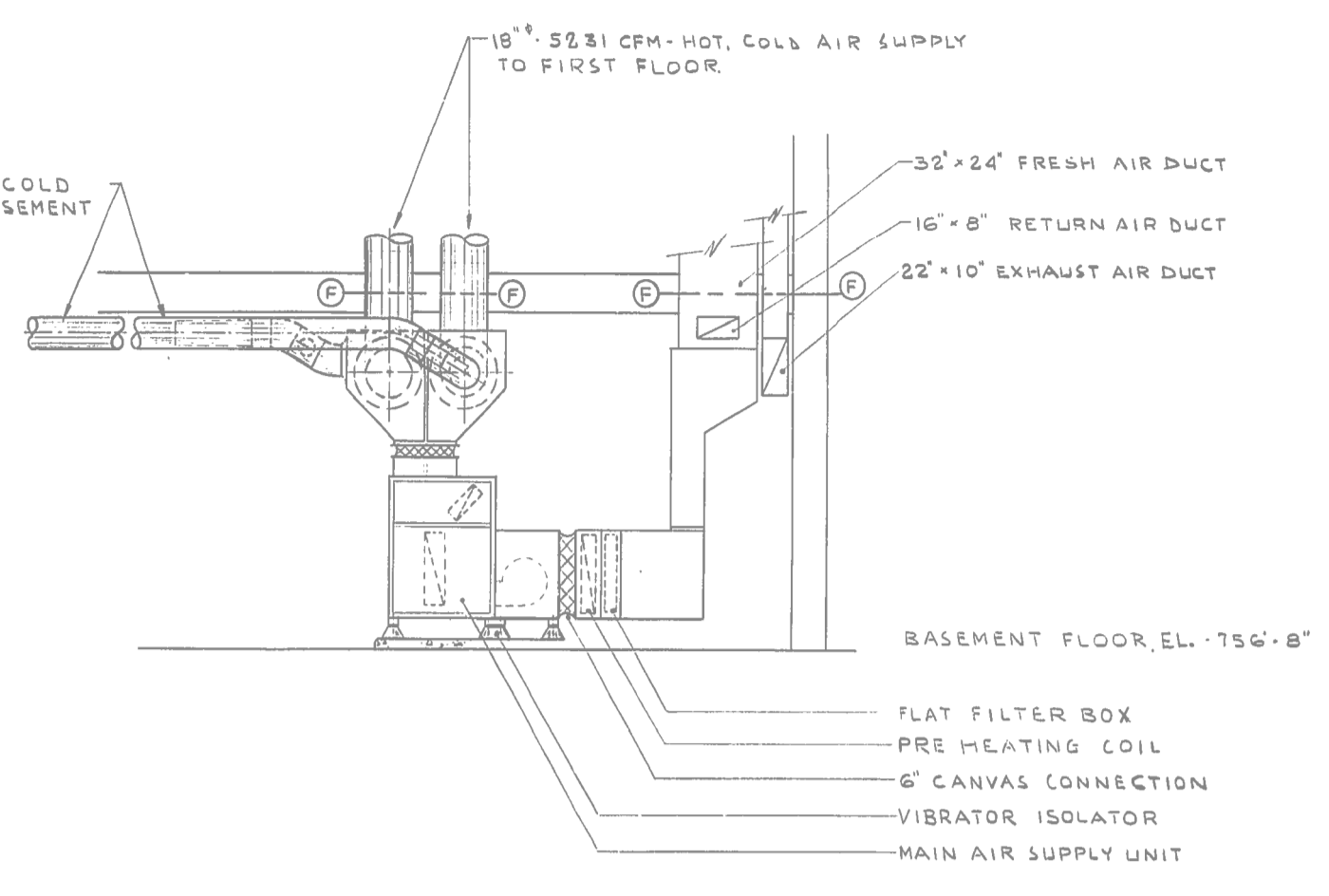


BASEMENT FLOOR PLAN ELEV 756'-8"

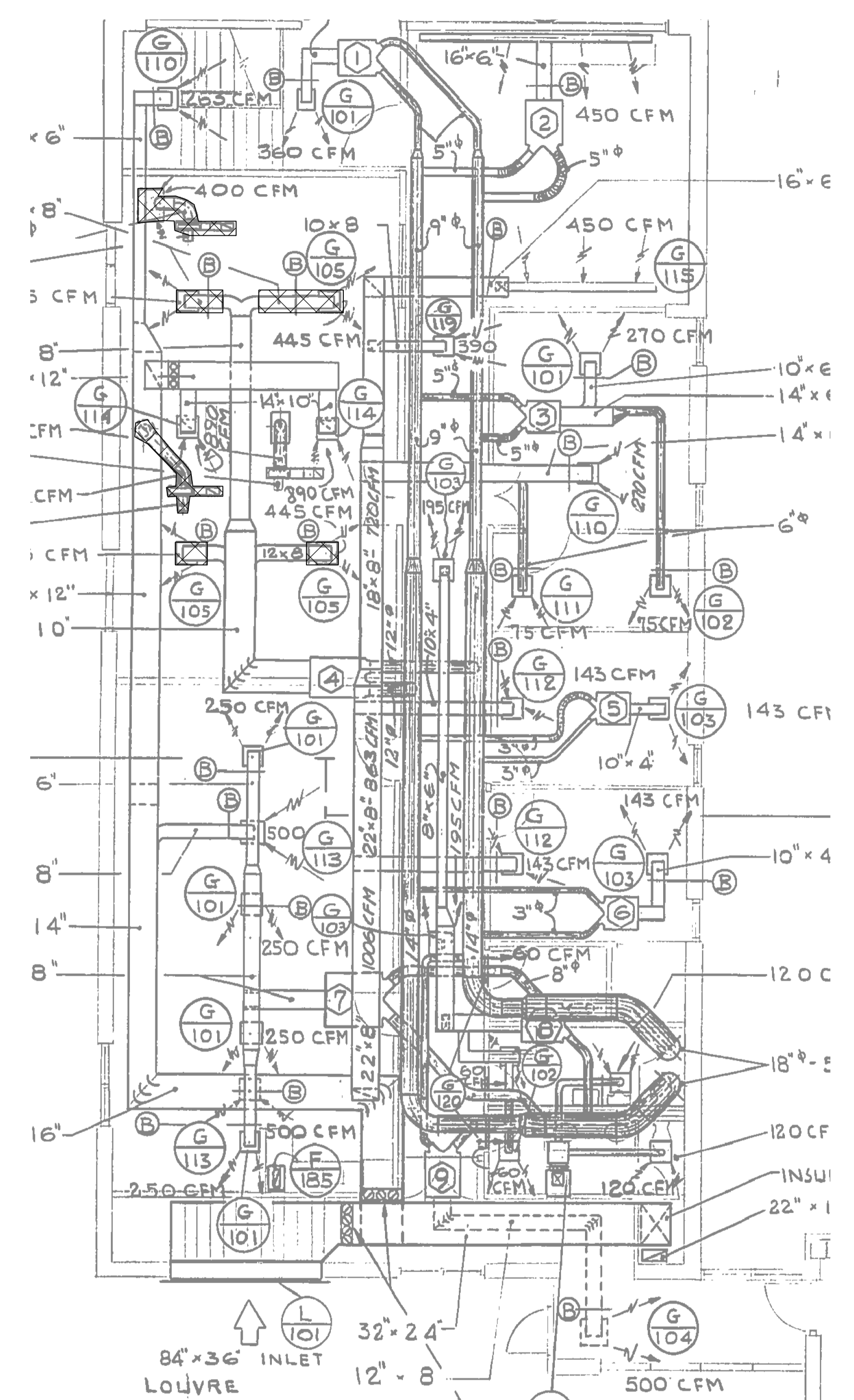


GROUND FLOOR PLAN ELEV 768'-8"



SECTION 3

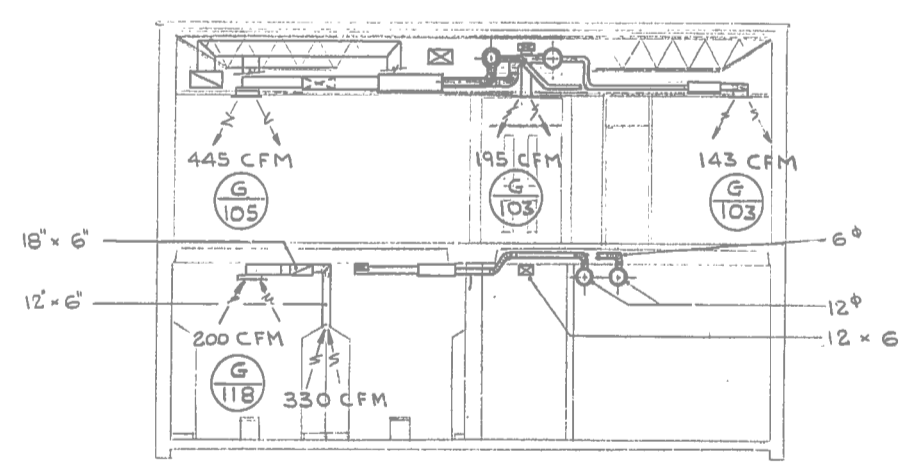
- VENTILATION SYMBOLS**
- FIRE DAMPER
  - MOTORIZED DAMPER
  - BALANCE DAMPER
  - SPLITTER DAMPER
  - CANVAS CONNECTION
  - TURNING VANES
  - ROUND DUCT-HIGH VELOCITY
  - FLAT-OVAL DUCT-HIGH VELOCITY
  - TERMINAL UNIT
  - FLEXIBLE DUCT
  - DISCHARGE RISER
  - SUCTION RISER
  - DIFFUSER AIR PATTERN
  - SIDEWALL OR DOOR GRILLE
  - HEATING COIL NUMBER
  - GRILLE NUMBER
  - FAN NUMBER



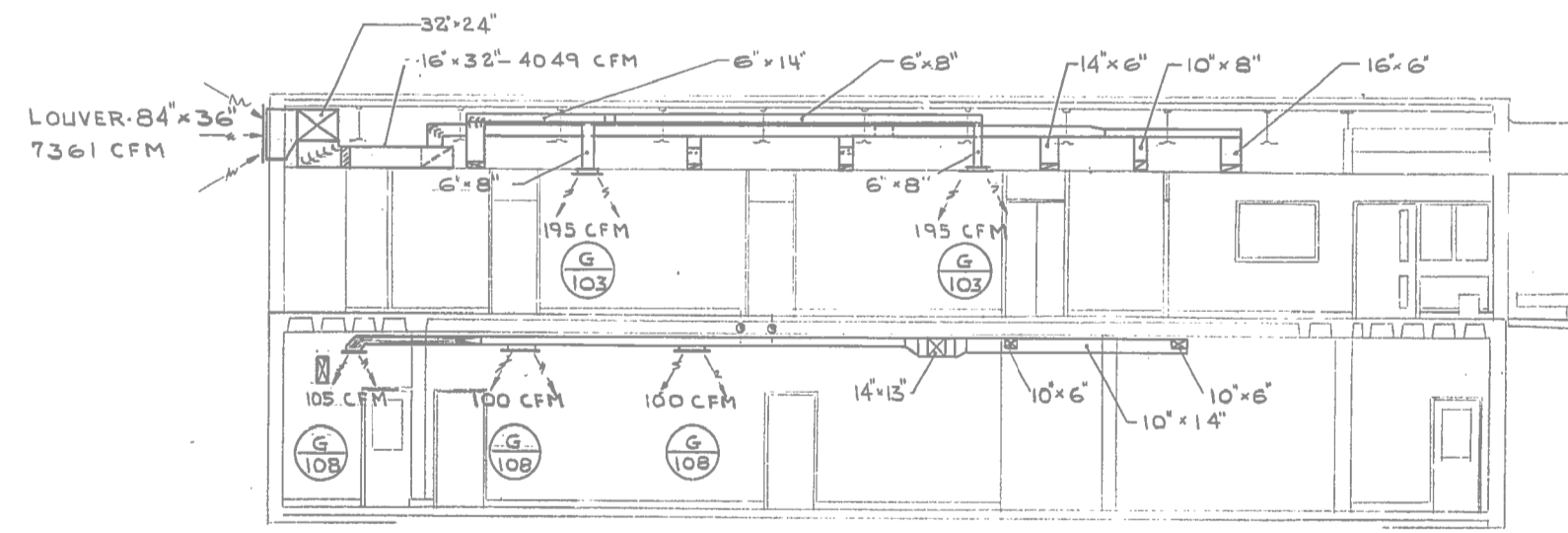
1 DETAIL NTS

**LEGEND:**  
 INDICATES DEMOLITION WORK

- NOTES:**
- FOR EQUIPMENT SCHEDULE SEE SPECIFICATION
  - ALL DUCT WORK SHOWN ON GROUND FLOOR PLAN SHALL RUN IN CEILING SPACE UNLESS OTHERWISE NOTED. ALL DUCTWORK SHOWN ON BASEMENT PLAN TO BE RUN AT BASEMENT CEILING UNLESS OTHERWISE NOTED. DUCT TO BE CONCEALED IN FINISHED AREAS AS NOTED ON ARCHITECTURAL DRAWINGS
  - CONTRACTOR TO CONNECT ZONE THERMOSTATES TO CORRESPONDING ZONE CONTROL DAMPERS AND MOTORIZED VALVES
  - FIRE DAMPERS TO BE INSTALLED IN EACH DUCT PIERCING A FIRE SEPARATION AND WHERE REQUIRED BY FIRE MARSHAL OR LOCAL CODES
  - ALL PLENUMS, BALANCE DAMPERS, FIRE DAMPERS, EQUIPMENT LOCATED IN DUCTWORK, ETC. TO BE PROVIDED WITH ACCESS DOORS. DUCT WORK TO BE INSULATED AS SPECIFIED AND NOTED
  - BALANCE DAMPERS TO BE INSTALLED IN EACH SUPPLY, EXHAUST AND RETURN DUCT BRANCH. PROVIDE ACCESS PANEL TO EACH CONCEALED BALANCE DAMPER
  - SEE "AIR BALANCE SHEET 15-F-6-600-1A"



SECTION 1

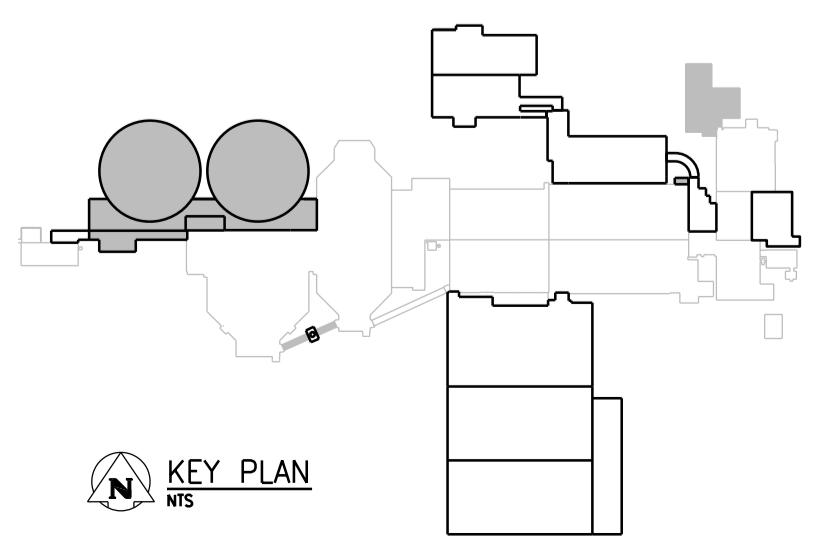


SECTION 2

**PLANS AND SECTIONS**

NTS

- NOTES:**
- REMOVE ALL EXISTING LABORATORY RELATED EXHAUST FANS AND ASSOCIATED DUCTWORK. CAP OFF ALL GRAVITY VENT DUCTS AT APPROXIMATELY 300mm BELOW UNDER SIDE OF ROOF. PROVIDE INSULATION FOR THE REMAINING DUCT TO PREVENT CONDENSATION.
  - REFER TO DRAWINGS 1-0102-MCAD-M601 FOR NEW WORK. REMOVE ALL EXISTING HVAC EQUIPMENT IN THE EXISTING LABORATORY WHICH ARE NOT RELATED TO THE NEW WORK.
  - REFER TO GENERAL DEMOLITION NOTES DRAWING 1-0102-DAAA-AD01.
  - CONFIRMED ASBESTOS CONTAINING MATERIALS IN LABORATORY FUMEHOOD. REFER TO ASBESTOS ABATEMENT SPECIFICATION FOR ABATEMENT PROCEDURES



**APEGM**  
 Certificate of Authorization  
 CH2M HILL Canada Ltd.  
 No. 1441

NO.	REVISIONS	DATE	DESIGN	CHECK
01	ISSUED FOR ADDENDUM 7 - 976-2016	2017/07/24	JBC	
00	ISSUED FOR CONSTRUCTION - 976-2016	2017/04/05	J.C.	J.C.

**CH2MHILL**  
 SNC-LAVALIN  
 DESIGNED BY: T. TRAN  
 DRAWN BY: K. FONG  
 SCALE: NTS  
 DATE: 2017/04/05  
 CONSULTANT NO.: 474248

**KCS GROUP**  
 ENGINEER'S SEAL  
 T.T. TRAN  
 Member 40578  
 REGISTERED PROFESSIONAL ENGINEER

SEALING ARCHITECT OR ENGINEER ACCEPTS RESPONSIBILITY ONLY FOR AREAS IDENTIFIED BY CLOUDING ON THIS DRAWING.

NOTE: THIS DRAWING SUPERSEDES DRAWING SEP-18

**THE CITY OF WINNIPEG**  
 WATER AND WASTE DEPARTMENT

SOUTH END WATER POLLUTION CONTROL CENTRE  
 SEWPCC UPGRADING/EXPANSION PROJECT  
 MECHANICAL  
 ADMINISTRATION BUILDING  
 LAB - DEMOLITION

CITY DRAWING NUMBER: 1-0102-MCAD-MD52  
 SHEET: 001  
 REV: 01  
 SIZE: A1