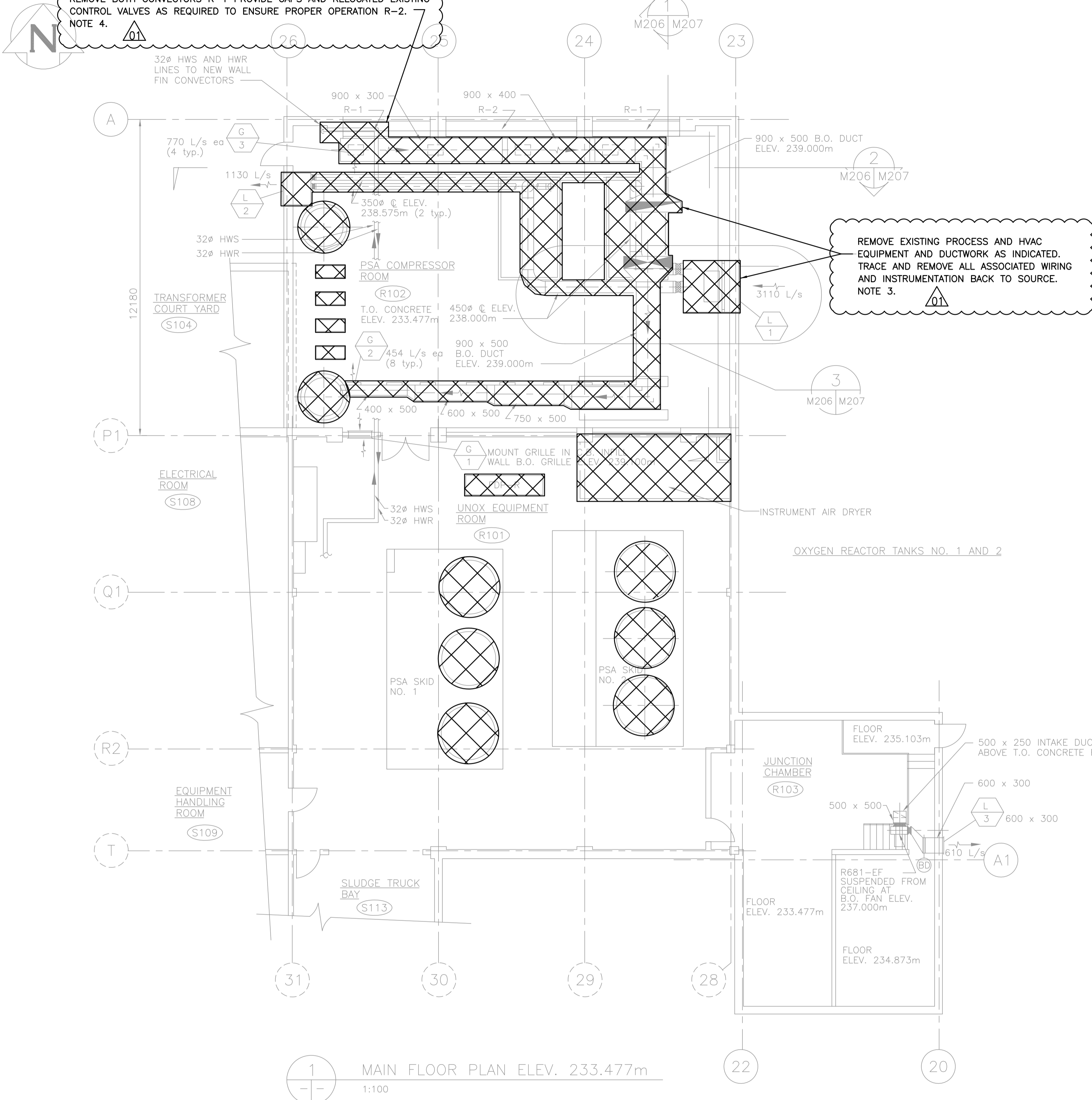


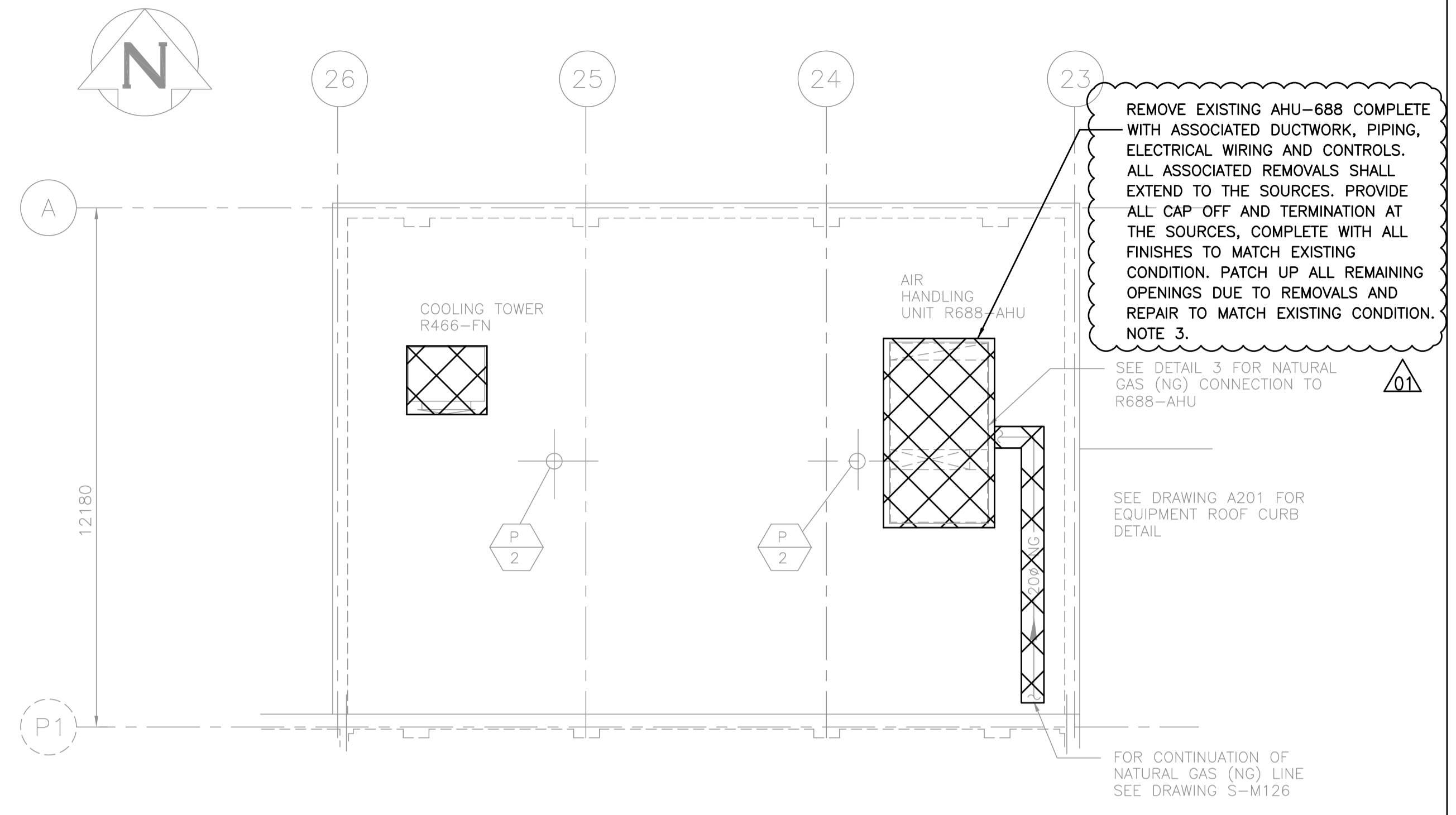
REMOVE EXISTING PIPES AS SHOWN FOR RECONNECTION TO EXISTING WALL FIN CONVECTOR R-2 BETWEEN GRID LINES 24 AND 25. REMOVE BOTH CONVECTORS R-1 PROVIDE CAPS AND RELOCATED EXISTING CONTROL VALVES AS REQUIRED TO ENSURE PROPER OPERATION R-2. NOTE 4.



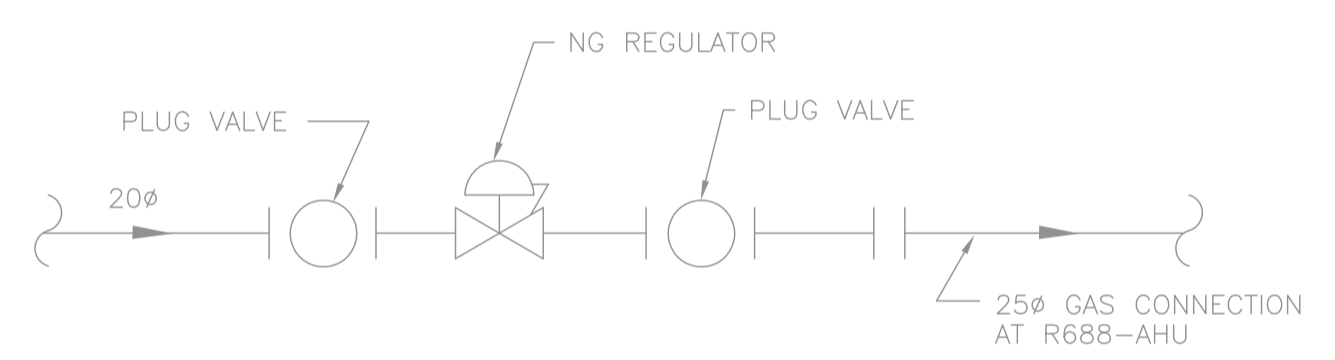
1 MAIN FLOOR PLAN ELEV. 233.477m
1:100

REMOVE EXISTING PROCESS AND HVAC EQUIPMENT AND DUCTWORK AS INDICATED. TRACE AND REMOVE ALL ASSOCIATED WIRING AND INSTRUMENTATION BACK TO SOURCE. NOTE 3.

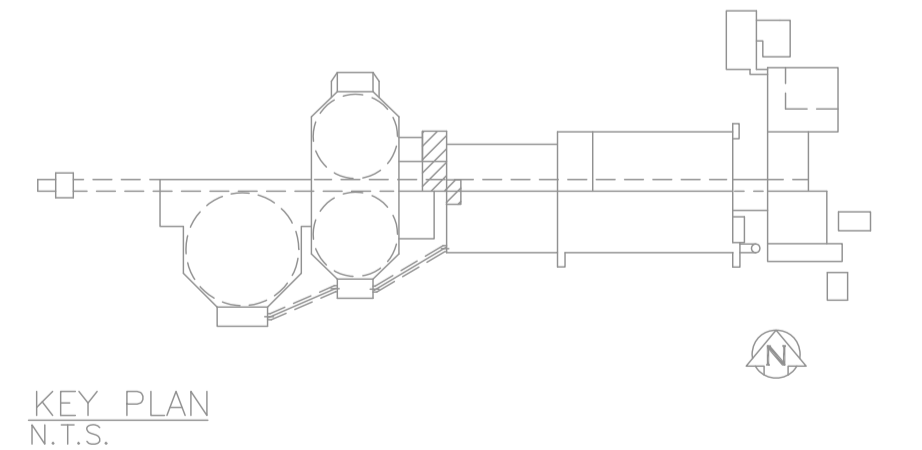
REMOVE EXISTING AHU-688 COMPLETE WITH ASSOCIATED DUCTWORK, PIPING, ELECTRICAL WIRING AND CONTROLS. ALL ASSOCIATED REMOVALS SHALL EXTEND TO THE SOURCES. PROVIDE ALL CAP OFF AND TERMINATION AT THE SOURCES, COMPLETE WITH ALL FINISHES TO MATCH EXISTING CONDITION. PATCH UP ALL REMAINING OPENINGS DUE TO REMOVALS AND REPAIR TO MATCH EXISTING CONDITION. NOTE 3.



2 PARTIAL ROOF PLAN ELEV. 240.792m
1:100



3 NATURAL GAS EQUIPMENT CONNECTION
N.T.S.



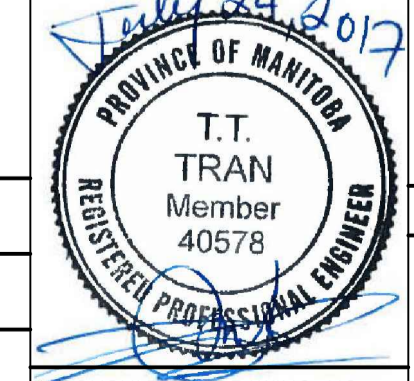
KEY PLAN
N.T.S.

- NOTES:**
- FOR NEW CONSTRUCTION SEE PROCESS/MECHANICAL PRIMARY SLUDGE FERMENERS/THICKENERS DRAWINGS.
 - REFER TO GENERAL DEMOLITION NOTES DRAWING 1-0102-DAAA-AD01.
 - CONFIRMED ASBESTOS CONTAINING MATERIALS IN DUCTWORK INSULATION. REFER TO ASBESTOS ABATEMENT SPECIFICATIONS FOR ABATEMENT PROCEDURES.
 - CONFIRMED ASBESTOS CONTAINING MATERIALS IN HEATING WATER FITTINGS INSULATION. REFER TO ASBESTOS ABATEMENT SPECIFICATIONS FOR ABATEMENT PROCEDURES.

AS CONSTRUCTED
DATE SEPTEMBER 1993 BY P.R.B.
APPROVED BY

| | | | |
|---------------|------------------------------------|----------------------------|-----------|
| B.M. ELEV. | | MACLAREN ENGINEERS INC. | |
| | | WARDROP ENGINEERING INC. | |
| | | ENGINEERING CONSULTANTS | |
| DESIGNED BY | S.Q. | CHECKED BY | |
| DRAWN BY | V.J.H. | APPROVED BY | |
| HOR. SCALE: | | RELEASED FOR CONSTRUCTION: | |
| VERTICAL: | AS SHOWN | DATE | JAN. 1990 |
| NO. REVISIONS | | DATE | |
| 01 | ISSUED FOR ADDENDUM 7 - 976-2016 | 01/20/2017 | JBC |
| 00 | ISSUED FOR CONSTRUCTION - 976-2016 | 04/05/2017 | K.F. |

ORIGINALLY DESIGNED BY



CONSULTANT DRAWING NO. 870012-01-22-R-M206

THE CITY OF WINNIPEG
WORKS AND OPERATIONS DIVISION
WATERWORKS, WASTE & DISPOSAL DEPARTMENT

SOUTH END WATER POLLUTION CONTROL CENTRE
PSA EXPANSION - MECHANICAL
COMPRESSOR AND PSA ROOM
FLOOR AND PARTIAL ROOF PLANS
HEAT, VENTILATION AND DUCTWORK

CITY DRAWING NUMBER
SHEET OF
SEP-376