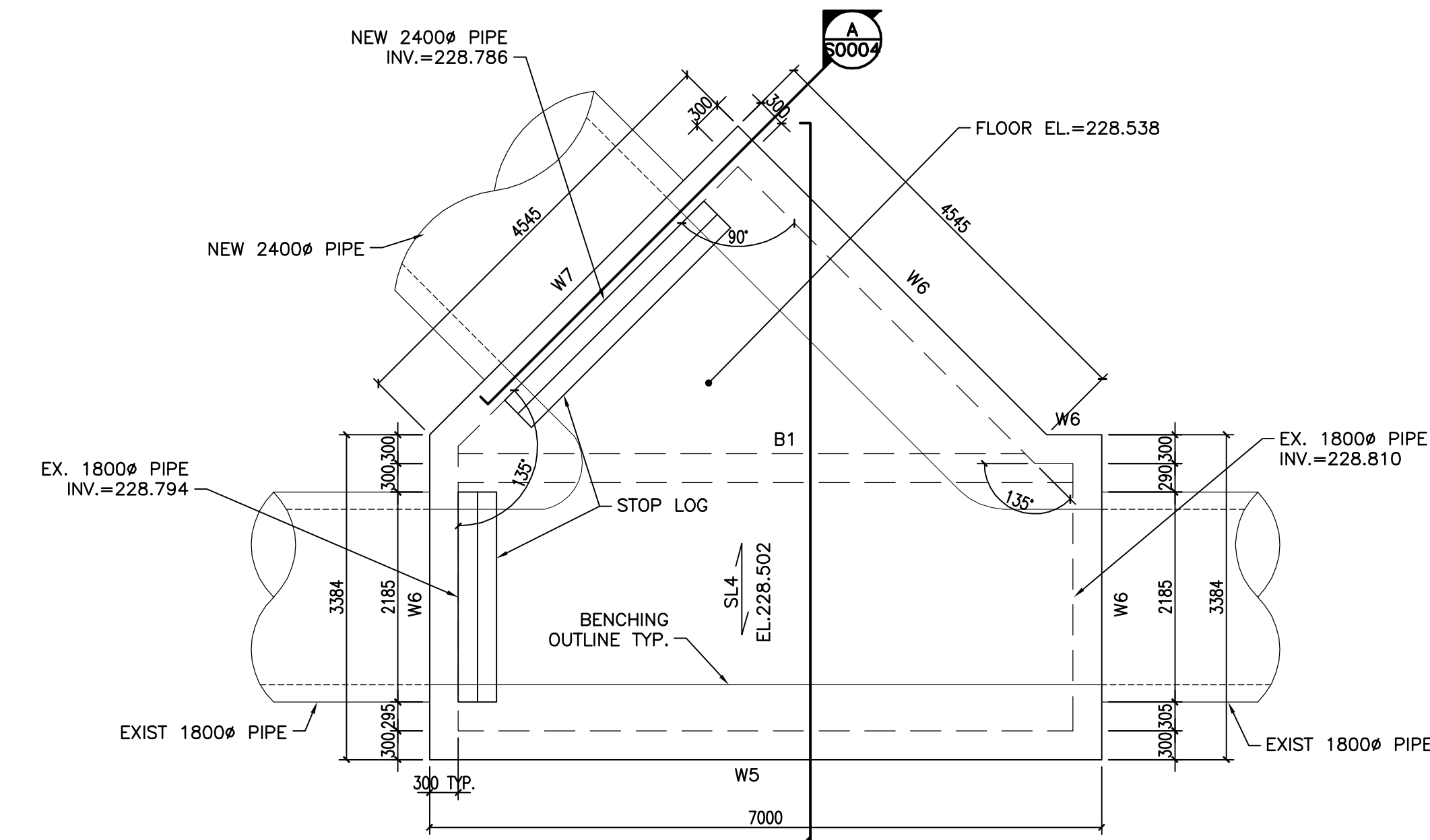


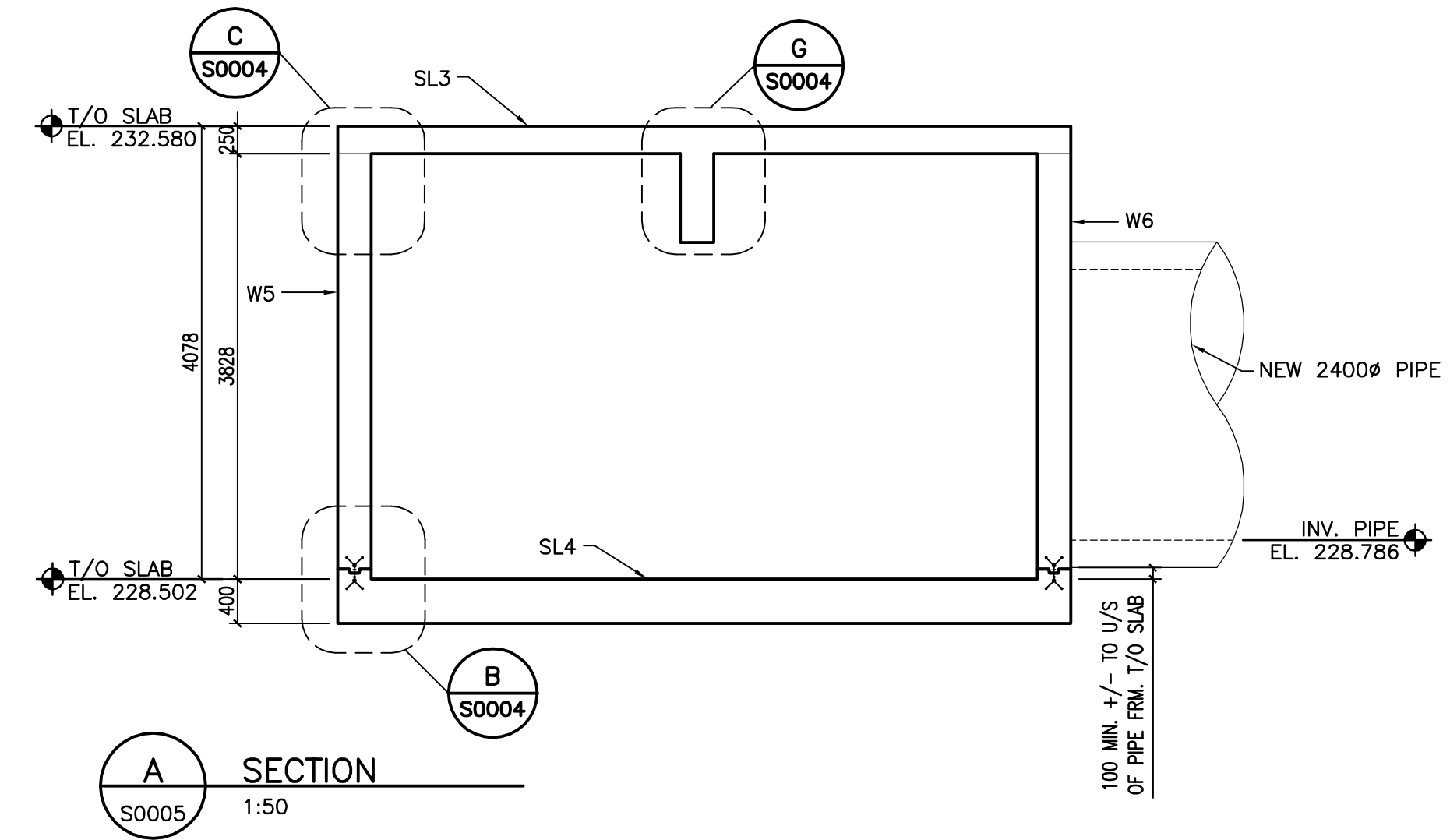
**1**  
TOP SLAB  
CHAMBER #1  
S0005 1:50

DESIGN LOADS:  
LIVE = 4.8 kPa



**2**  
BOTTOM SLAB  
CHAMBER #1  
S0005 1:50

**DRAWING NOTES:**  
 1. SEE CITY DRAWING NUMBER 1-0102U-S0003-001 FOR GENERAL NOTES.  
 2. SEE CITY DRAWING NUMBER 1-0102U-S0003-001 FOR WALL, SLAB AND BEAM SCHEDULE.  
 3. SEE CITY DRAWING NUMBER 1-0102U-S0004-001 FOR CONCRETE SECTIONS & TYPICAL DETAILS.



**A**  
SECTION  
S0005 1:50

83R066 - N. side Froblasher Rd., 0.25km W. of St. Mary's Rd., Tblt. on top of 0.05m dia. x 1.2m iron pipe (near conc. gate chamber), 7.1m Nly. of N. side & 9.8m Wly. of W. side of conc. gate chamber 0.25km W. of St. Mary's Rd.

**APEGM**  
Certificate of Authorization  
Stantec Consulting Ltd.  
No. 1301

**RECORD DRAWING**  
 BY G.L. / M.F. DATE 12.08.27  
 CHECKED BY B.F.

**METRIC**  
WHOLE NUMBERS INDICATE MILLIMETRES  
DECIMALIZED NUMBERS INDICATE METRES

CONSTRUCTION COMPLETION DATE - APRIL 2011

**LOCATION APPROVED UNDERGROUND STRUCTURES**  
 SUPV. U/G STRUCTURES COMMITTEE DATE  
 NOTE:  
 LOCATION OF UNDERGROUND STRUCTURES AS SHOWN ARE BASED ON THE BEST INFORMATION AVAILABLE BUT NO GUARANTEE IS GIVEN THAT ALL EXISTING UTILITIES ARE SHOWN OR THAT THE GIVEN LOCATIONS ARE EXACT. CONFIRMATION OF EXISTENCE AND EXACT LOCATION OF ALL SERVICES MUST BE OBTAINED FROM THE INDIVIDUAL UTILITIES BEFORE PROCEEDING WITH CONSTRUCTION.

B.M.	81-007	ELEV.	230.438
NO.	REVISIONS	DATE	BY
02	DWG WAS 1-0102A-S0003-001	12.10.01	SW
1	RECORD DRAWING	12.02.03	G.L.
A	ISSUED FOR TENDER	09.10.13	

**Stantec Consulting Ltd.**  
 905 Waverley Street, Winnipeg, Manitoba  
 Tel 204-489-5900 Fax 204-453-9012

DESIGNED BY	M.H.	CHECKED BY	T.D.
DRAWN BY	M.F.	APPROVED BY	C.M.

HOR. SCALE: AS NOTED  
 VERTICAL: RELEASED FOR CONSTRUCTION:  
 DATE 09.09.21

ENGINEER'S SEAL  
 ORIGINAL SEALED BY  
 B.E. FRASER  
 P. ENG.  
 12/08/28

**THE CITY OF WINNIPEG**  
 WATER AND WASTE DEPARTMENT

**SOUTH END WATER POLLUTION CONTROL CENTRE**  
 INSTALLATION OF OUTFALL PIPE  
 EFFLUENT SAMPLING FACILITY AND ASSOCIATED WORKS  
 CHAMBER NO.1  
 PLAN & SECTION

BID OPPORTUNITY NO. 709-2009  
 CITY DRAWING NUMBER 1-0102U-S0005-001  
 SHEET 1 OF 1