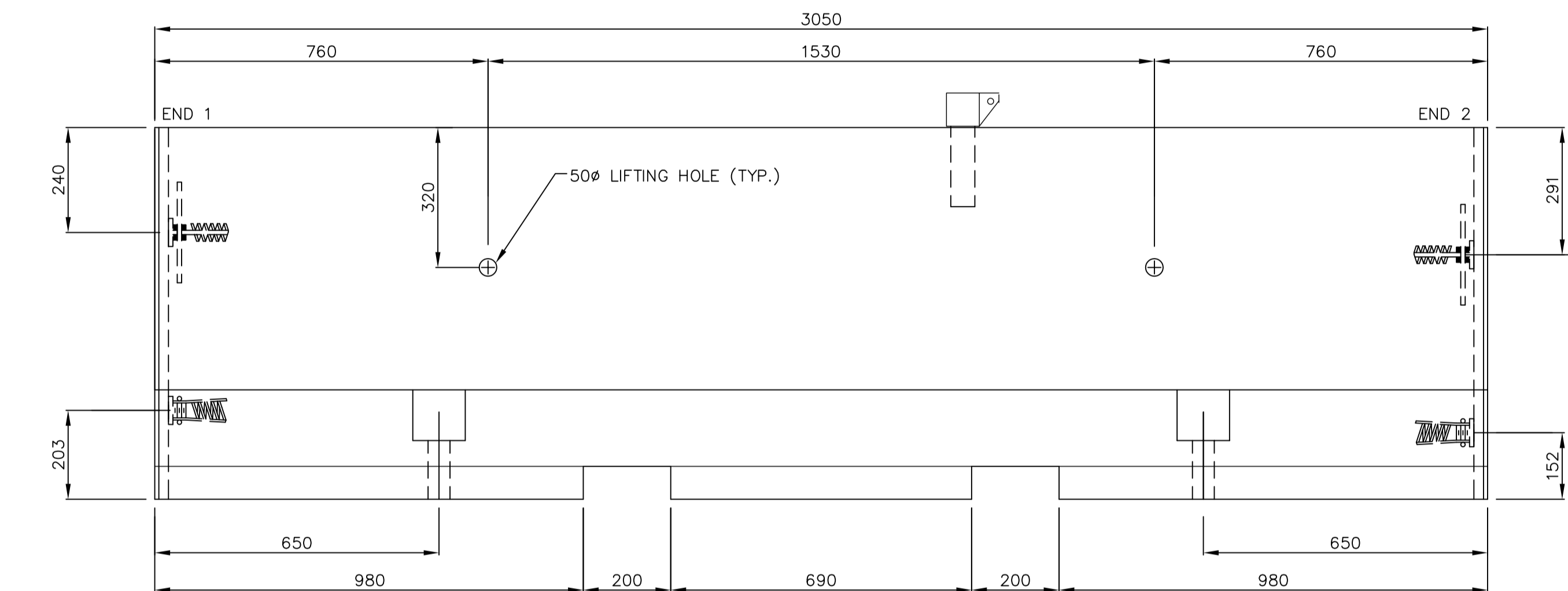
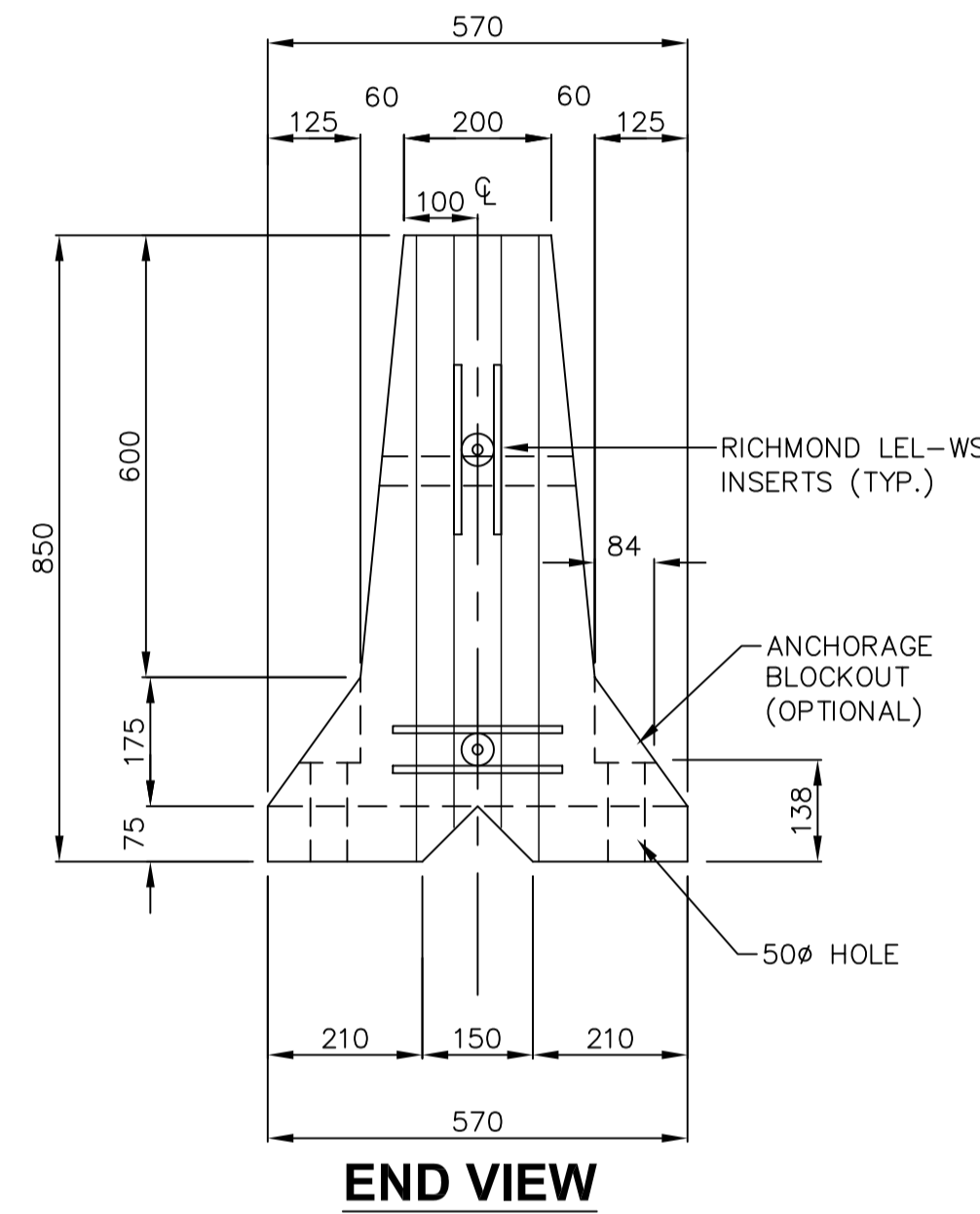


INSTALLATION OF BARRIERS DETAIL

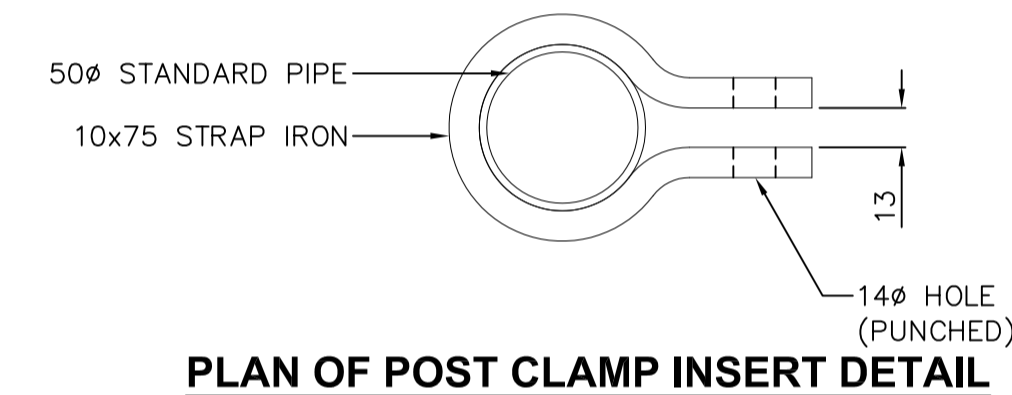
NOTE: CONNECT END 1 TO END 2 USING RETAINING PIN & 13Ø BOLT



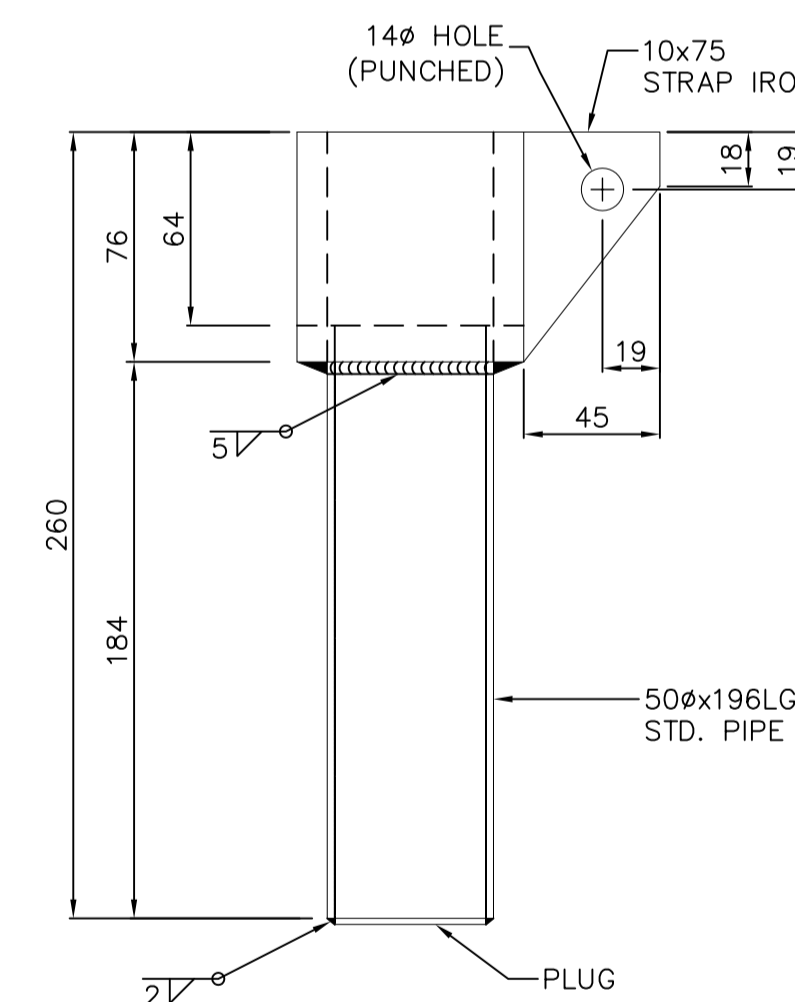
ELEVATION
SHOWING CONC. DETAILS



END VIEW



PLAN OF POST CLAMP INSERT DETAIL



ELEVATION OF POST CLAMP INSERT

POST CLAMP INSERT DETAIL

SCALE 1:25
NOTE: FOR BARRIER CAST UPSIDE DOWN
POST INSERTS MAY BE GROUTED INTO 70Ø FORMED HOLE.

METRIC

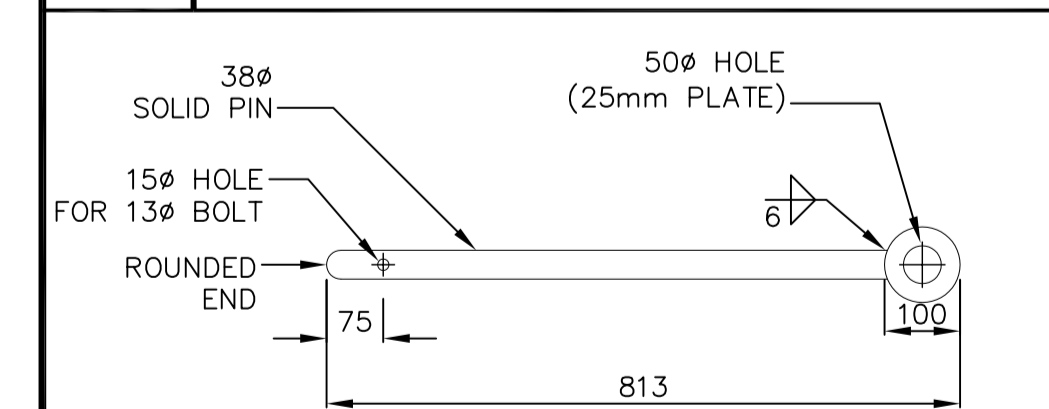
WHOLE NUMBERS INDICATE MILLIMETRES
DECIMALIZED NUMBERS INDICATE METRES

BILL OF REINFORCING STEEL FOR ONE CONC. BARRIER UNIT

MARK	TYPE	LENGTH	NO. PER UNIT	BENDING DIAGRAM
TB15001	BENT	1705	8	
TB15002	STRAIGHT	2895	6	
ALL REINFORCING STEEL GRADE 400 MPa				
VOLUME OF CONC. PER UNIT = 0.83 m ³				
MASS OF EACH UNIT = 1965kg				

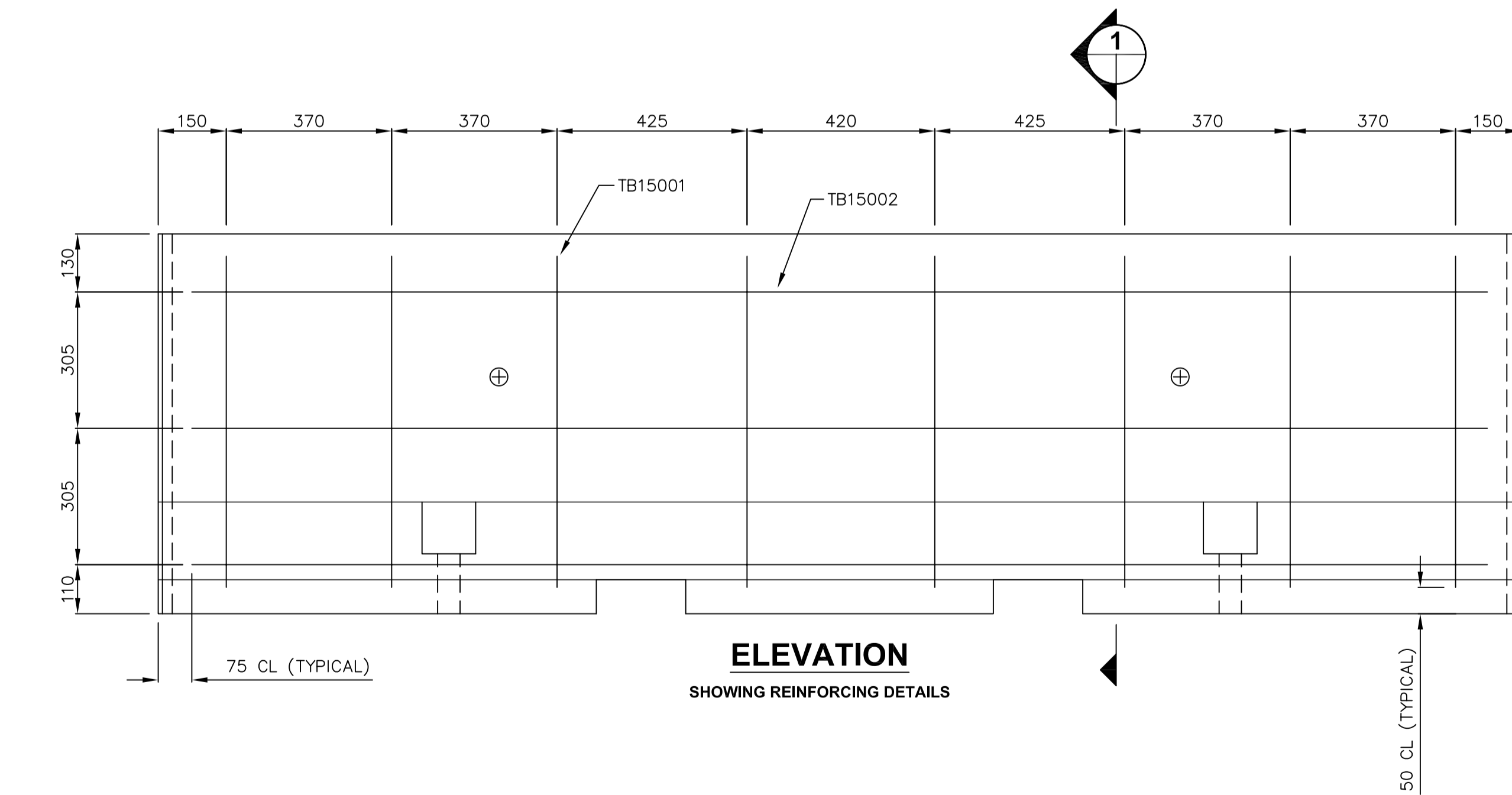
BILL OF MISCELLANEOUS METAL FOR ONE CONC. BARRIER UNIT

NO.	DESCRIPTION
4	RICHMOND LEL-WS END LIFT INSERT FOR 25Ø LEB
4	RICHMOND LEB EYE BOLT 25Øx75 LONG
1	38Øx813 STEEL RETAINING PIN (SEE DETAIL)
1	13Øx75 LG BOLT C/W HEX NUT & 2 LOCK WASHERS
2	25Øx25 LG SOCKET HEAD SCREWS
1	POST CLAMP INSERT (SEE DETAIL)

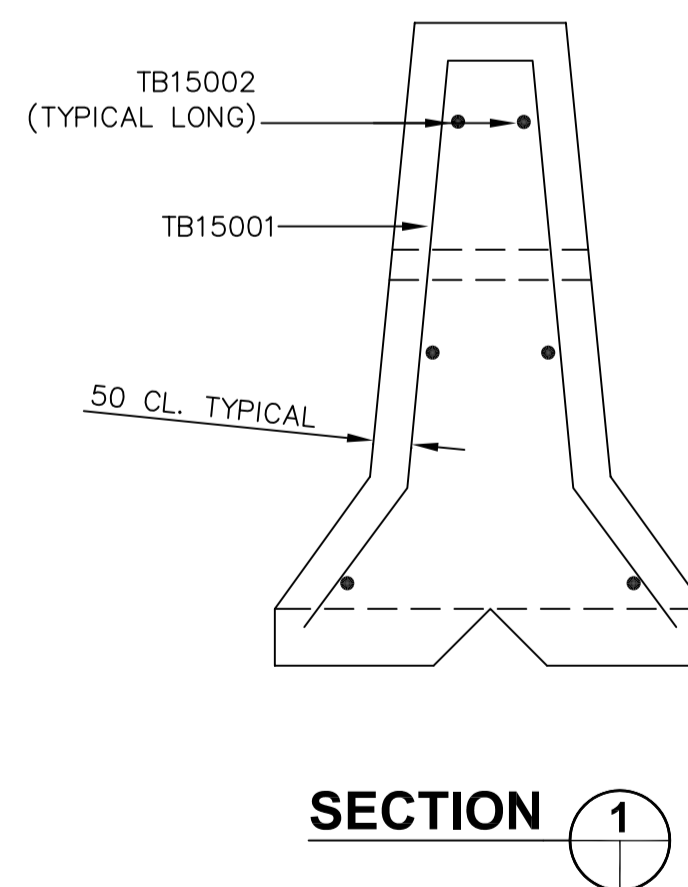


STEEL RETAINING PIN DETAIL

NOTE: ALL MATERIAL IN THIS BILL TO BE COMPLETELY GALVANIZED AFTER FABRICATION



ELEVATION
SHOWING REINFORCING DETAILS



SECTION 1

- GENERAL NOTES:**
- CONCRETE:
SPECIFIED COMPRESSIVE STRENGTH @ 28 DAYS = 40MPa
MAX. W/C RATIO = 0.4
AGGREGATE = 20mm NOMINAL
AIR CONTENT = 5 TO 8
 - STEEL FORM FINISH UNLESS OTHERWISE APPROVED.
 - MINIMUM CHAMFER ON ALL EDGES 13mm.
 - REBAR TO BE GRADE 400 MPa.
 - UNITS ARE DESIGNED TO BE INSTALLED BY HAVING AN END "1" CONNECTED TO AN END "2".
 - UNIT NO.'S TO START WITH 2 DIGIT YEAR DESIGNATION FOLLOWED BY 2 DIGIT PRODUCTION NO. (PRODUCTION UNIT NO. SHOWN IS FOR ILLUSTRATIVE PURPOSE ONLY).

NO.	REVISIONS	DATE	BY
1.	APPROVED EQUAL #1 MODIFIED DIMENSIONS AND UNIT NUMBER OPTIONS	18/JAN.	AP

wsp	
DESIGNED BY	N/A
CHECKED BY	N/A
DRAWN BY	JM 01-10-18
APPROVED BY	MH
HOR. SCALE:	1: 10
VERTICAL:	OR AS NOTED
RELEASED FOR CONSTRUCTION	N/A
DATE	

CONSULTANT DRAWING NO.	17M-02091-00_AE1
------------------------	------------------

THE CITY OF WINNIPEG
PUBLIC WORKS DEPARTMENT
ENGINEERING DIVISION

APPROVED EQUAL NO.1
PRECAST CONCRETE
PORTABLE TRAFFIC BARRIER

SHEET 1 OF 1
CAD FILE DRAWING NUMBER AE1
BID OPPORTUNITY NUMBER 1104-2017