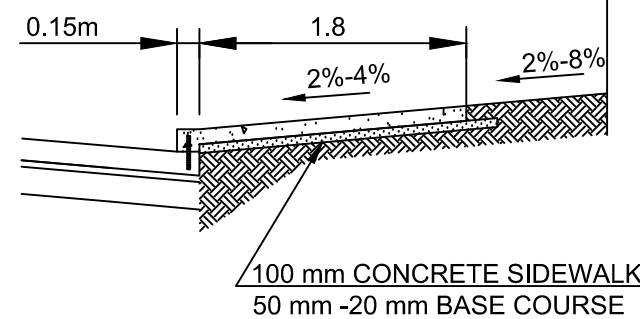
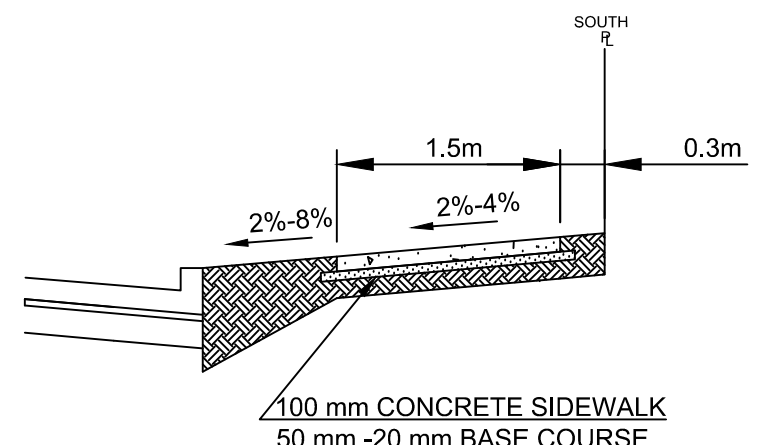


**PRELIMINARY**

NOT TO BE USED FOR  
CONSTRUCTION



**TYPICAL CROSS SECTION A-A**  
N.T.S



**TYPICAL CROSS SECTION B-B**  
N.T.S



THE CITY OF WINNIPEG  
PUBLIC WORKS DEPARTMENT  
ENGINEERING DIVISION  
TECHNOLOGY SERVICES BRANCH  
106 - 1155 PACIFIC AVE

# WEATHERSTONE PLACE (N.LEG)

FROM WEATHERSTONE PL TO LAKEWOOD BLVD  
NEW SIDEWALK AND ASSOCIATED WORKS

DATE: JAN 30, 2017  
REVISED: MAY 5, 2017

DRAWING #  
SE-17-04-R1

DRAWN BY:  
A.T.

SHEET  
2 OF 2

SCALE:  
1:500

4