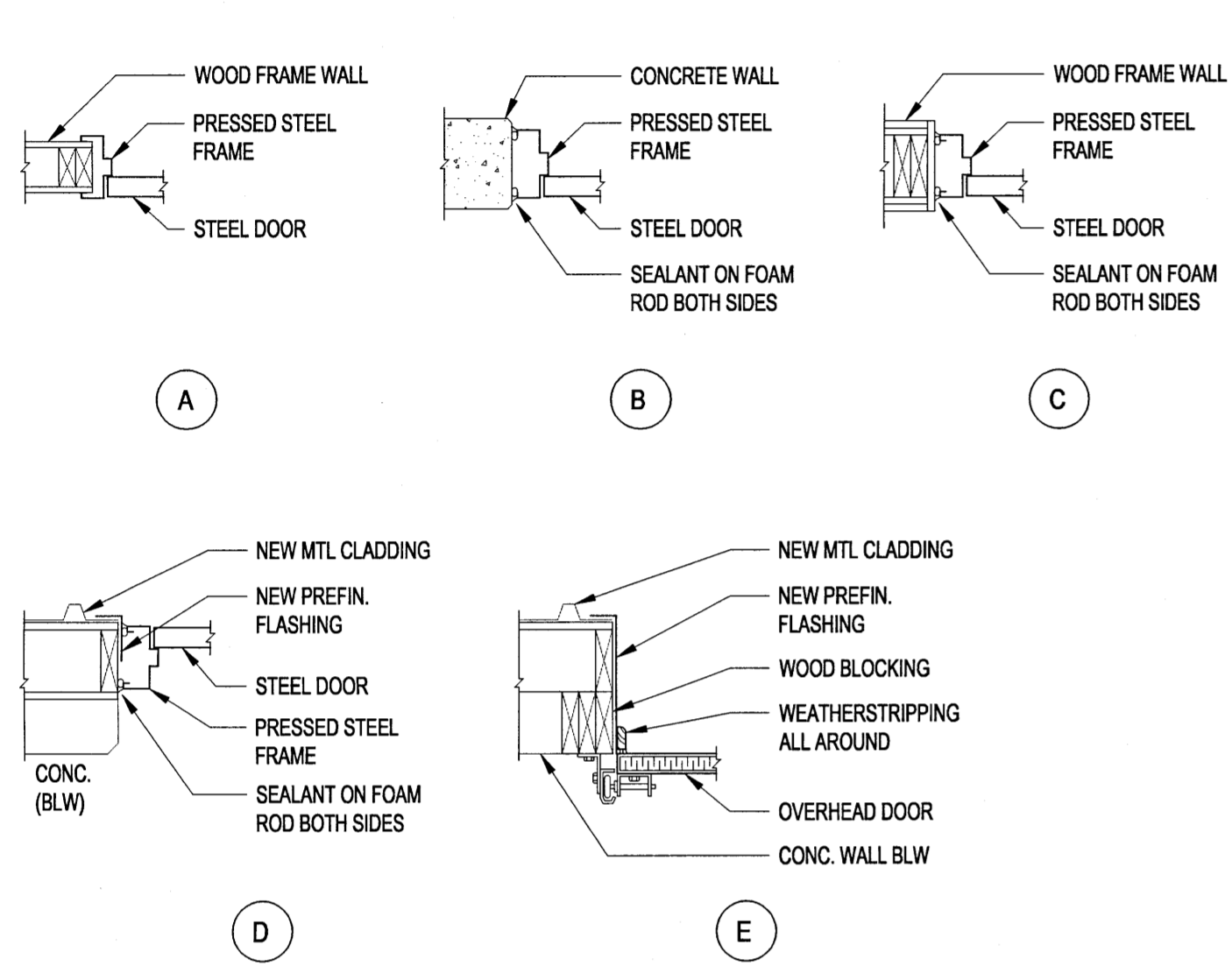


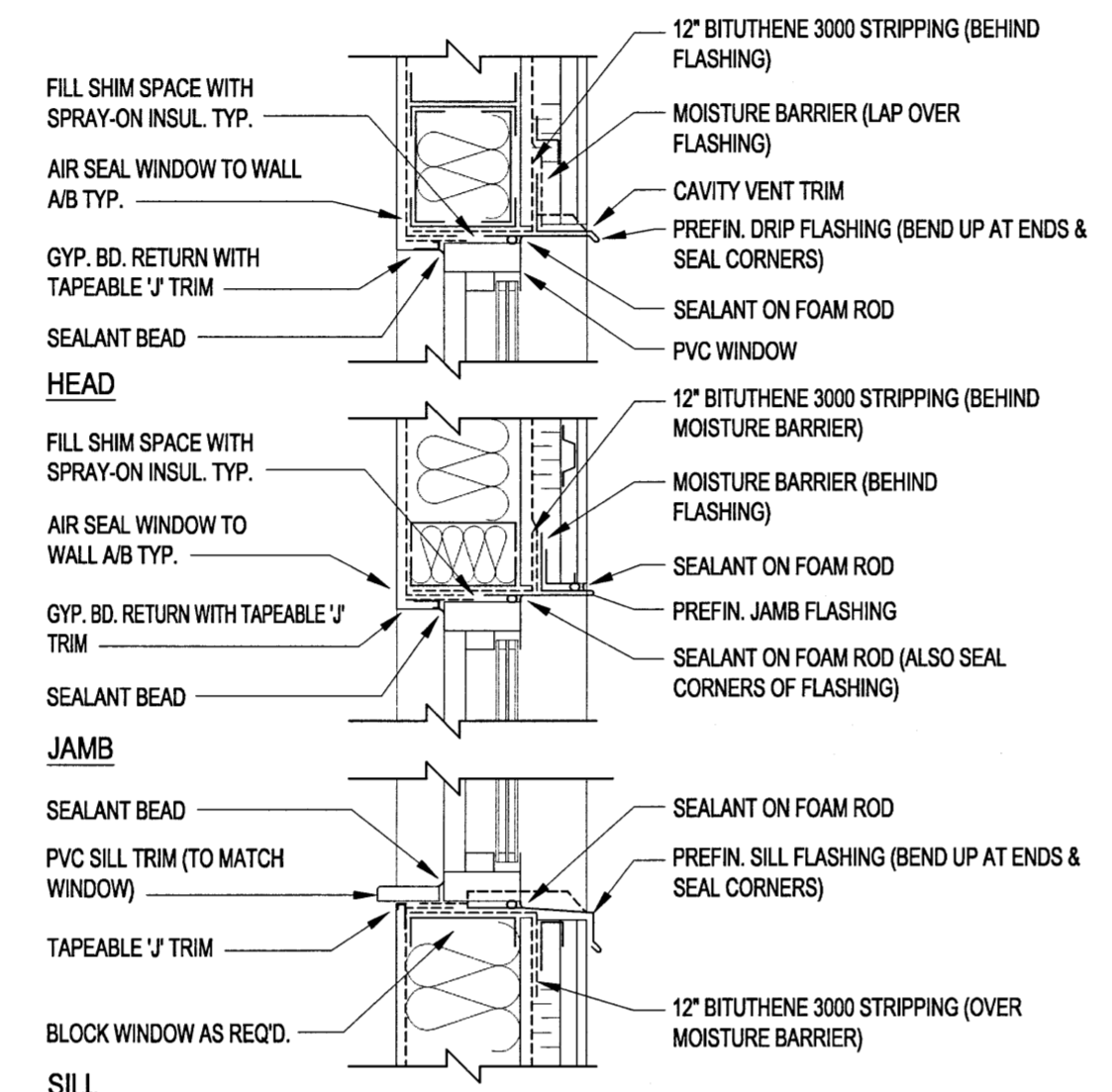
DOOR TYPES

SCALE: 1:50



FRAME TYPES

SCALE: 1:15



A WINDOW SECTION

SCALE: 1:10

DOOR SCHEDULE

DOOR NO.	DOOR										FIRE RATING (HOURS)	HARDWARE																				
	SIZE	ELEV.	MATL.	CORE	FINISH	REMARKS	SECT.	MATL.	FINISH	REMARKS		HINGES	PANIC PUSH BAR	LOCK SET	PASSAGE SET	PRIVACY LOCK	VERTICAL ROD	PUSH/PULL	CLOSER	DOOR STOP	CHECK CHAIN	FLUSH BOLTS	ASTRAGAL	WEATHERSTRIP	AUTOMATIC SWEEP	THRESHOLD GLAZING	KICKPLATE	SIGN	NO EXT. HNDLR	ELECT. OPERATOR	ELECTRIC STRIKE	
D101	1016 x 2134 x 44	2	HM	INSUL	P	-	D	STL	P	-	-	•	•	•				•	•													
D102	1016 x 2134 x 44	2	HM	INSUL	P	-	D	STL	P	-	-	•	•	•				•	•													
D103	3350 (W) x 3050 (H)	4	STL	INSUL	PF	OVERHEAD DOOR	E	STL	P	-	-																					
D104	3350 (W) x 3050 (H)	4	STL	INSUL	PF	OVERHEAD DOOR	E	STL	P	-	-																					
D105	1016 x 2134 x 44	2	HM	INSUL	P	-	D	STL	P	-	-	•	•	•				•	•													
D106	DBL 1219 x 2134 x 44	3	HM	INSUL	P	ACTIVE LEAF INACTIVE LEAF	D D	STL STL	P P	DR COORDINATOR, PARALLEL ARM MOUNTING (CLOSER) FOR 180° OPENING	-	•	•	•				•	•													
D107	1016 x 2134 x 44	1	HM	KHC	P	-	B/C	STL	P	-	1 1/2	•	•	•				•	•													
D108	1016 x 2134 x 44	1	HM	KHC	P	-	B/C	STL	P	-	1 1/2	•	•	•				•	•													
D109	914 x 2134 x 44	2	HM	KHC	P	-	A	STL	P	-	-	•	•	•				•	•													
D110	DBL 812 x 2032 x 44	1	HM	KHC	P	ACTIVE LEAF INACTIVE LEAF	A A	STL STL	P P	-	-	•	•	•				•	•													
D111	812 x 2032 x 44	1	HM	KHC	P	-	A	STL	P	-	-	•	•	•				•	•													
D112	914 x 2134 x 44	1	HM	KHC	P	-	A	STL	P	-	-	•	•	•				•	•													
D113	914 x 2134 x 44	1	HM	KHC	P	-	A	STL	P	-	-	•	•	•				•	•													
D114	914 x 2134 x 44	1	HM	KHC	P	-	A	STL	P	-	-	•	•	•				•	•													
D115	610 x 2032 x 44	1	HM	KHC	P	-	A	STL	P	-	-	•	•	•				•	•													

WINDOW SCHEDULE

WIND. NO.	WINDOW						FRAME				FIRE RATING (HOURS)
	SIZE	ELEV.	MATL.	CORE	FINISH	REMARKS	SECT.	MATL.	FINISH	REMARKS	
W101	1829 x 1219	-	ALUM	INSUL	P	-	-	ALUM	P	-	-
W102	1829 x 1219	-	ALUM	INSUL	P	-	-	ALUM	P	-	-
W103	1829 x 1219	-	ALUM	INSUL	P	-	-	ALUM	P	-	-
W104	1219 x 1219	-	STL	-	P	-	-	STL	P	SIM. TO 'C'	1 1/2

LOCATION APPROVED UNDERGROUND STRUCTURES

SUPV. U/G STRUCTURES COMMITTEE DATE
NOTE: LOCATION OF UNDERGROUND STRUCTURES AS SHOWN ARE BASED ON THE BEST INFORMATION AVAILABLE BUT NO GUARANTEE IS GIVEN THAT ALL EXISTING UTILITIES ARE SHOWN OR THAT THE GIVEN LOCATIONS ARE EXACT. CONFIRMATION OF EXISTENCE AND EXACT LOCATION OF ALL SERVICES MUST BE OBTAINED FROM THE INDIVIDUAL UTILITIES BEFORE PROCEEDING WITH CONSTRUCTION.

NO.	REVISIONS	DATE	BY
1	RE-ISSUED FOR TENDER	17/04/25	
0	ISSUED FOR TENDER	17/03/23	

KGS GROUP CONSULTING ENGINEERS

DESIGNED BY: DJP
DRAWN BY: MBB

CHECKED BY: CMS
APPROVED BY: DJP

HOR. SCALE: AS NOTED
VERTICAL: AS NOTED

RELEASED FOR CONSTRUCTION: DATE

ENGINEER'S SEAL

PETRAK
25 APR 2017
REGISTERED PROFESSIONAL ENGINEER

CONSULTANT DRAWING NO. 16-0107-010

Winnipeg THE CITY OF WINNIPEG WATER AND WASTE DEPARTMENT

PROJECT TITLE: 4R WINNIPEG DEPOT EAST WINNIPEG COMMUNITY RESOURCE RECOVERY CENTRE

SHEET 13 OF 41
COMPUTER FILE NAME: 16-0107-010
CONSULTANT DRAWING NUMBER: B05

DOOR SCHEDULE & NOTES

16-0107-010\16-0107-010_B03.dwg