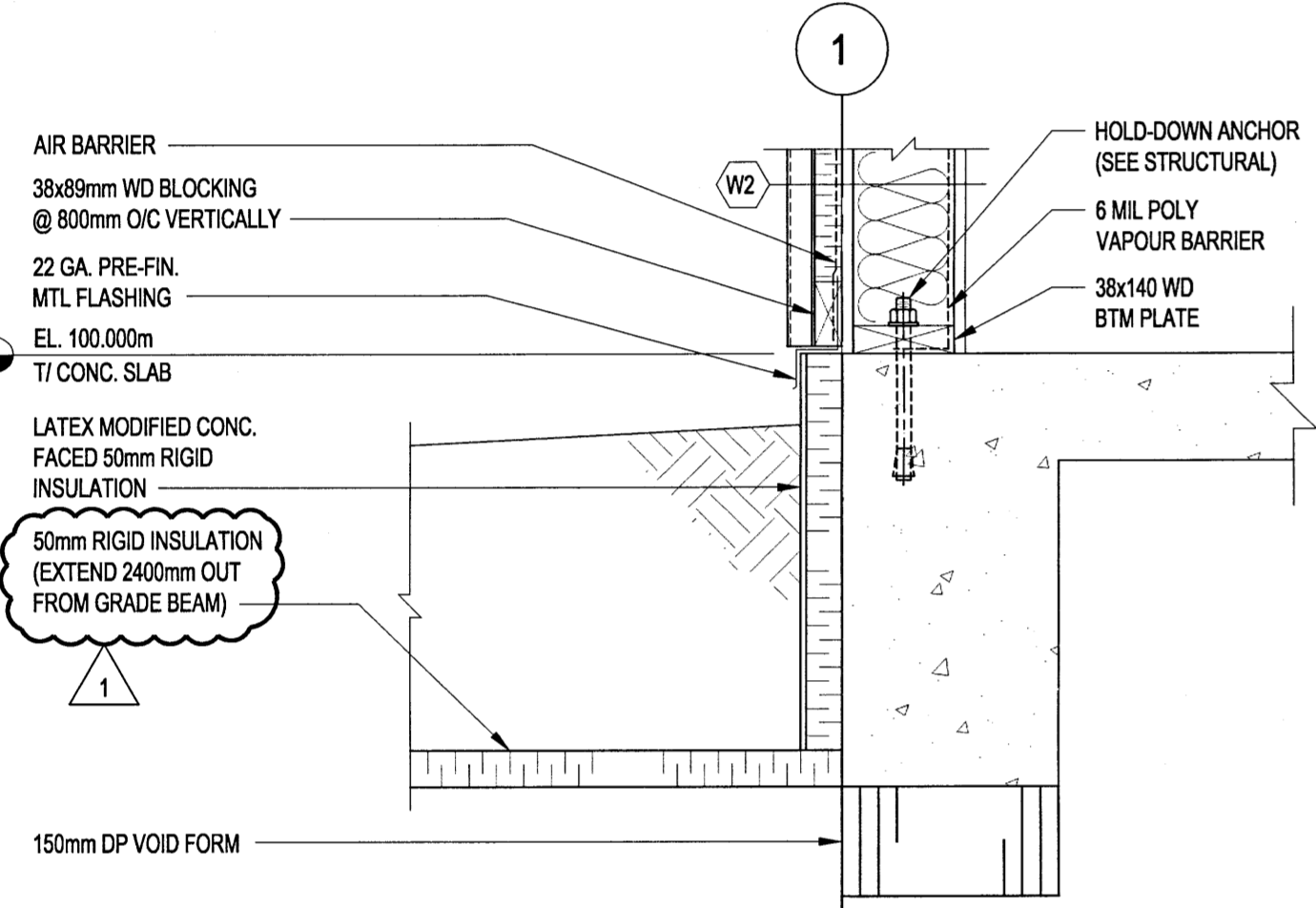
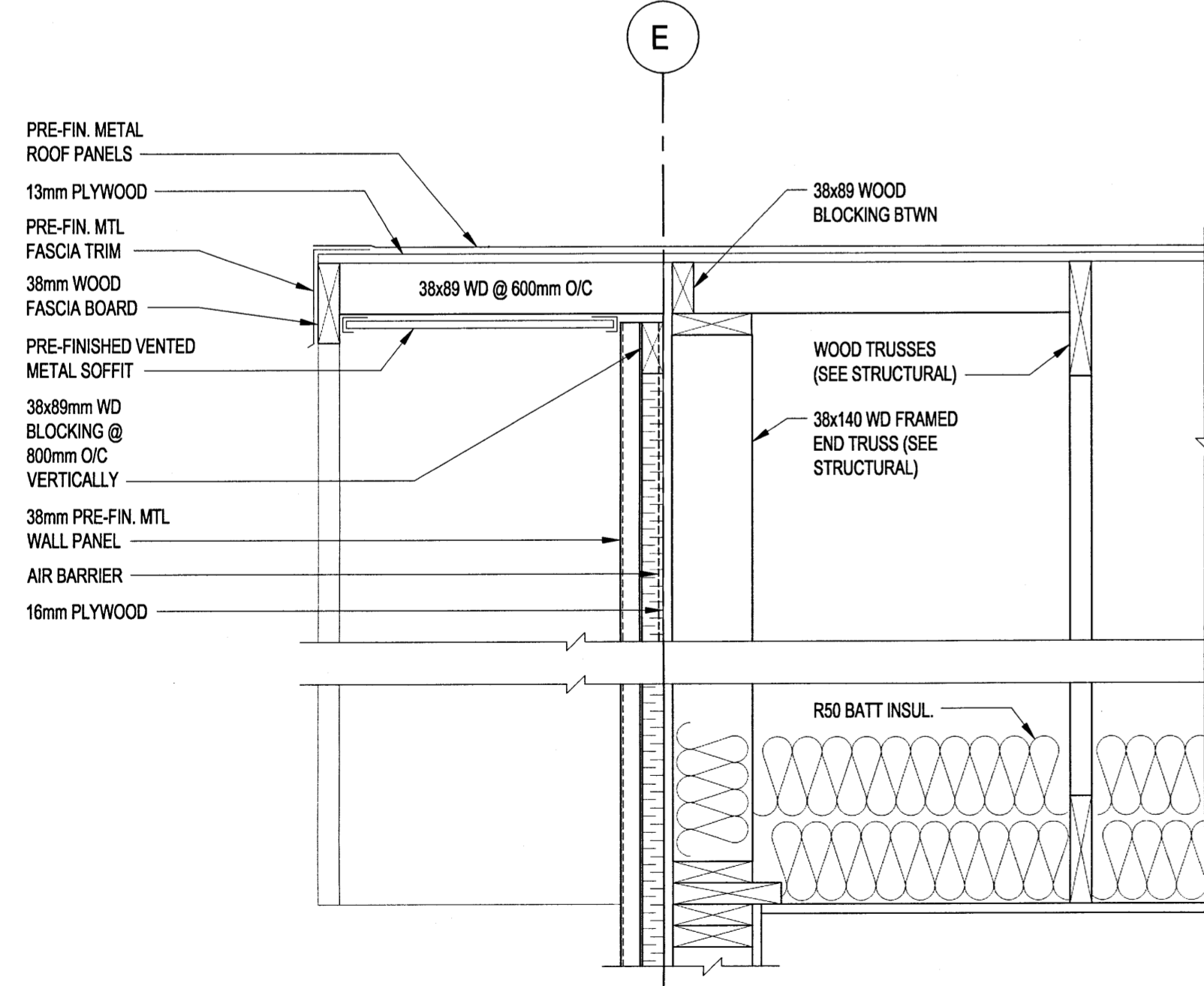


1 DETAIL
SCALE: 1:10



2 DETAIL
SCALE: 1:10



3 DETAIL
SCALE: 1:10

16-0107-010\16-0107-010_BO3.dwg

LOCATION APPROVED UNDERGROUND STRUCTURES

SUPPLY U/G STRUCTURES COMMITTEE	DATE

NOTE:
LOCATION OF UNDERGROUND STRUCTURES AS SHOWN ARE BASED ON THE BEST INFORMATION AVAILABLE BUT NO GUARANTEE IS GIVEN THAT ALL EXISTING UTILITIES ARE SHOWN OR THAT THE GIVEN LOCATIONS ARE EXACT. CONFIRMATION OF EXISTENCE AND EXACT LOCATION OF ALL SERVICES MUST BE OBTAINED FROM THE INDIVIDUAL UTILITIES BEFORE PROCEEDING WITH CONSTRUCTION.

B.M. ELEV.			

NO.	REVISIONS	DATE	BY
1	RE-ISSUED FOR TENDER	17/04/12	DJP
0	ISSUED FOR TENDER	17/03/29	DJP

KGS GROUP CONSULTING ENGINEERS

DESIGNED BY: DJP	CHECKED BY: CMS
DRAWN BY: MBB	APPROVED BY: DJP
HOR. SCALE: AS NOTED	RELEASED FOR CONSTRUCTION:
VERTICAL: AS NOTED	DATE: 17/01/03

ENGINEER'S SEAL

CONSULTANT DRAWING NO. 16-0107-010

THE CITY OF WINNIPEG WATER AND WASTE DEPARTMENT

PROJECT TITLE: **4R WINNIPEG DEPOT EAST WINNIPEG COMMUNITY RESOURCE RECOVERY CENTRE**

HHW BUILDING DETAILS

SHEET 15	OF 41
COMPUTER FILE NAME: 16-0107-010	
CONSULTANT DRAWING NUMBER: B07	