

BRIDGE CONTROL PANEL

FIELD

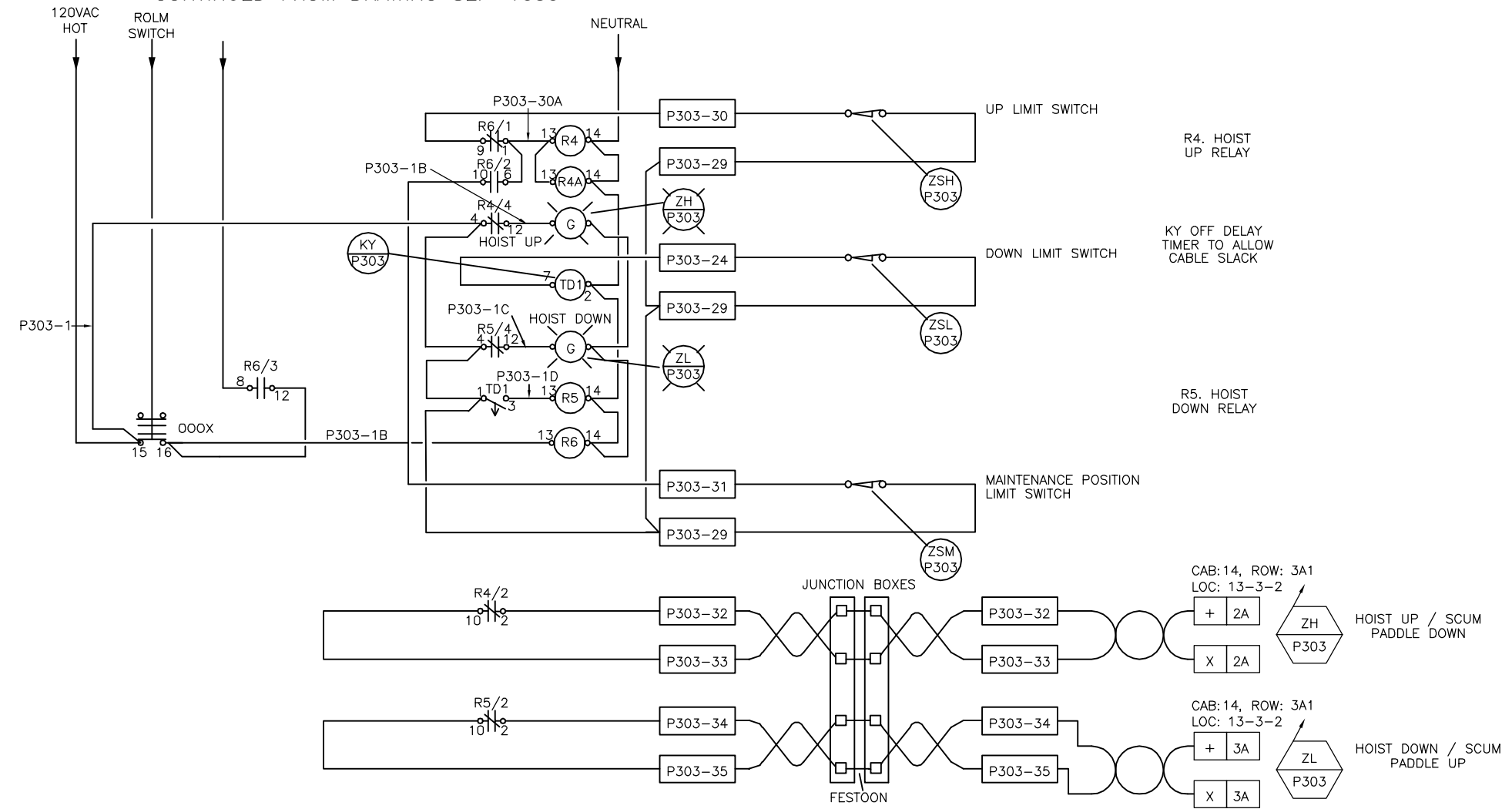
FDP

FIELD

DCS

PCU 7 "SC"

CONTINUED FROM DRAWING SEP-1059



SOURCE: MANCO CONTROL SYSTEMS INC. DRAWING # M1168-7

B.M. ELEV.				ENGINEER'S SEAL		THE CITY OF WINNIPEG WATER AND WASTE DEPARTMENT	SOUTH END WATER POLLUTION CONTROL CENTRE PRIMARY CLARIFIER EXPANSION, CONTRACT 2 - P.D. 89-205	SHEET 2 OF 2	
	5	REVISED TO DATE	06.09.08	WKT	DESIGNED BY			CHECKED BY	CITY DRAWING NUMBER
	4	REVISED TO DATE	06.08.28	WKT	DRAWN BY			APPROVED BY	SEP-1060
	3	REVISED TO DATE	06.08.14	WKT	HOR. SCALE				
	2	DCS ADDED	04/94	RH	RELEASED FOR CONSTRUCTION				
	1	REDRAWN IN AUTOCAD	JAN/93	LO	VERTICAL				
NO.	REVISIONS	DATE	BY	DATE	DATE				

BRIDGE CONTROL PANEL #1
HOIST CIRCUIT LOOP P303

PLOT DATE: 2006.08.14