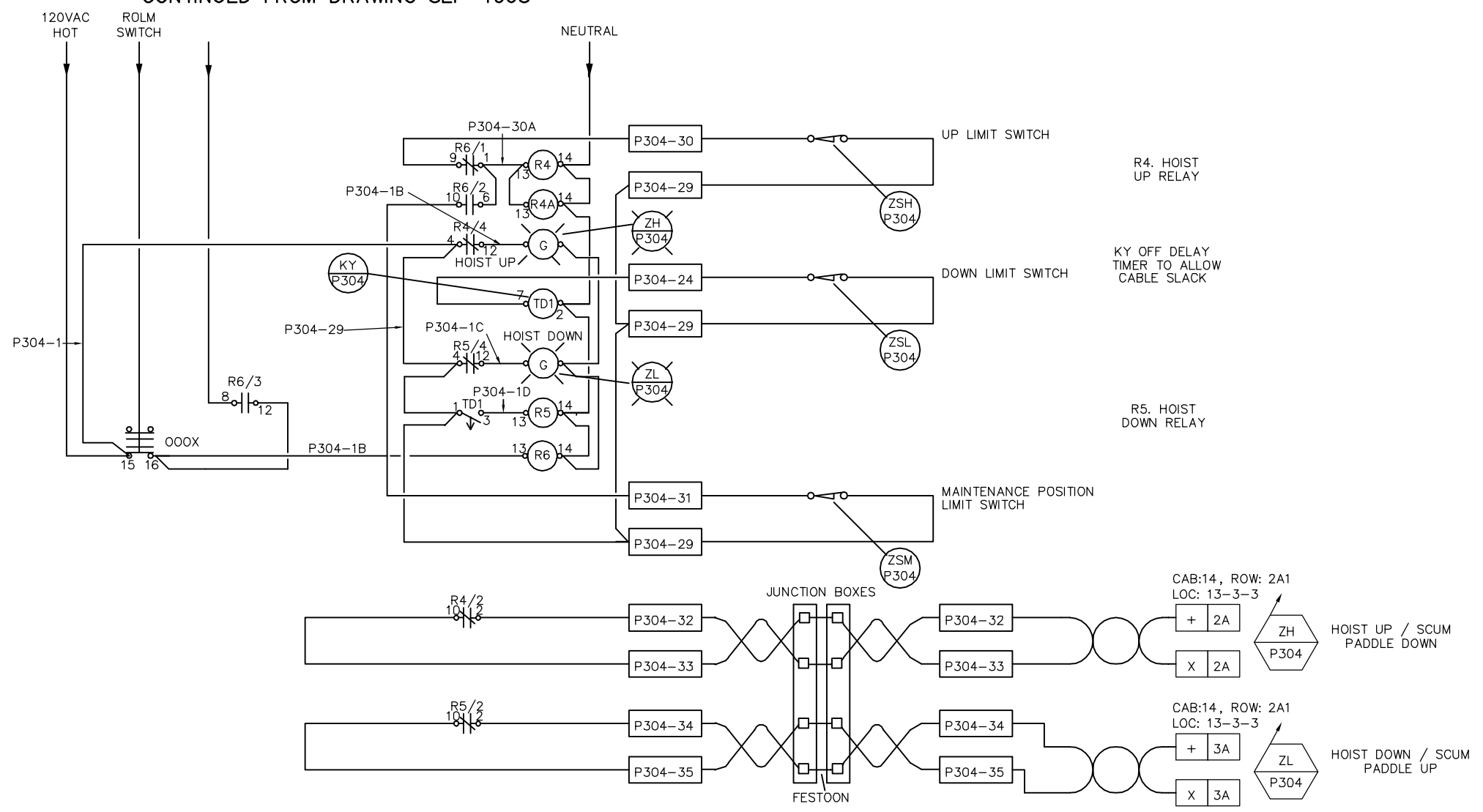


BRIDGE CONTROL PANEL | FIELD | FDP | FIELD | DCS  
PCU 7 "SC"

CONTINUED FROM DRAWING SEP-1068



SOURCE: MANCO CONTROL SYSTEMS INC. DRAWING # M1168-14

NO.	REVISIONS	DATE	BY
4	REVISED TO DATE	06.09.08	WKT
4	REVISED TO DATE	06.08.31	WKT
3	REVISED TO DATE	06.08.14	WKT
2	DCS ADDED	04/94	RH
1	REDRAWN IN AUTOCAD	JAN/93	LO

DESIGNED BY		CHECKED BY	
DRAWN BY		APPROVED BY	
HOR. SCALE		RELEASED FOR CONSTRUCTION	
VERTICAL		DATE	

ENGINEER'S SEAL

PLOT DATE: 2006.08.14

**THE CITY OF WINNIPEG**  
 WATER AND WASTE DEPARTMENT

SOUTH END WATER POLLUTION CONTROL CENTRE  
PRIMARY CLARIFIER EXPANSION, CONTRACT 2 - P.D. 89-205

SHEET 2 OF 2  
CITY DRAWING NUMBER

**BRIDGE CONTROL PANEL #2**  
**HOIST CIRCUIT LOOP P304**

**SEP-1069**