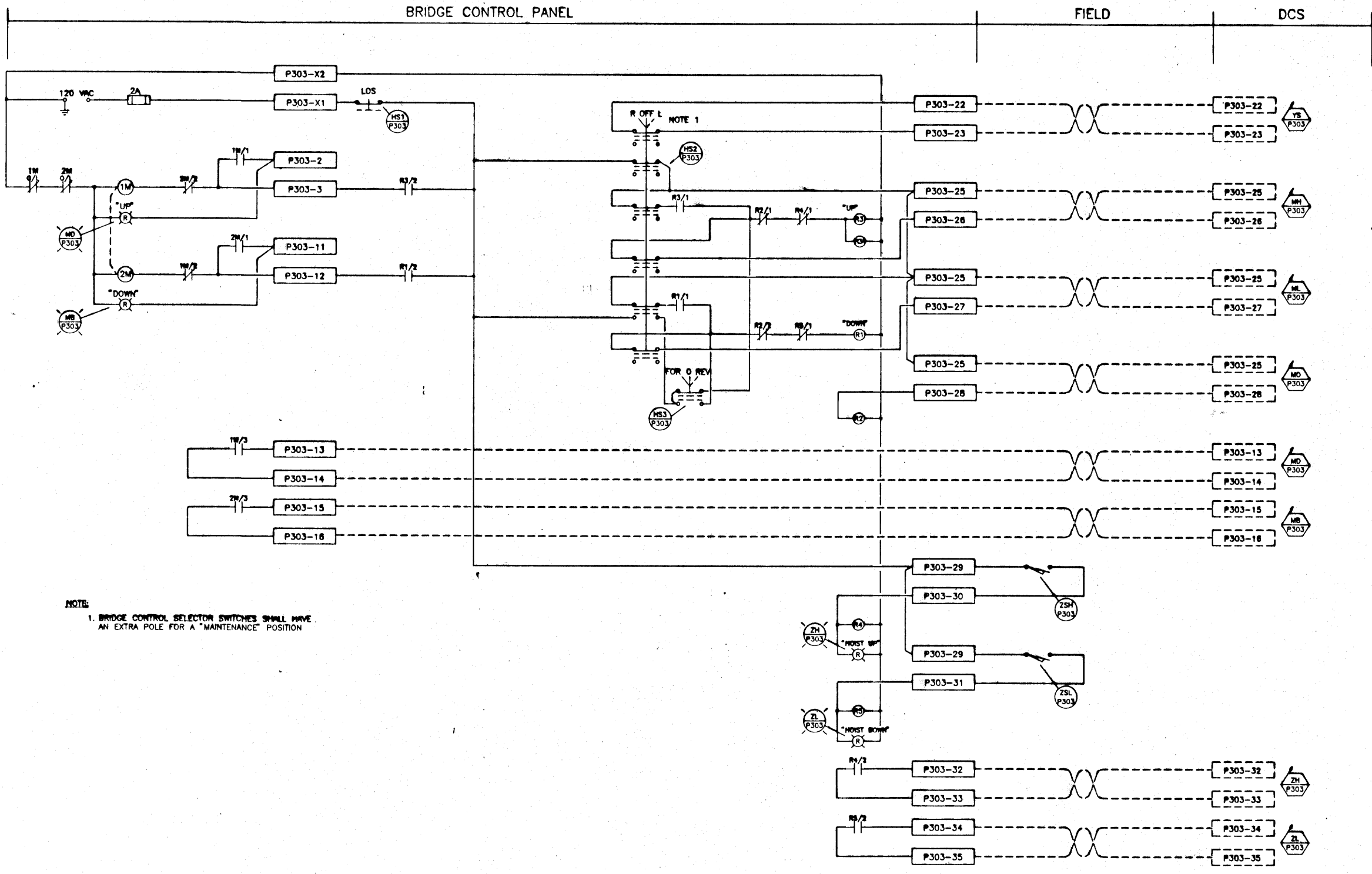


LOOP P303-SC
REPEAT FOR LOOPS P304,P313,P315



NOTE:
1. BRIDGE CONTROL SELECTOR SWITCHES SHALL HAVE AN EXTRA POLE FOR A "MAINTENANCE" POSITION

- 1
- 2
- 3
- 4
- 5
- 6 R3. UP RELAY
- 7
- 8
- 9
- 10 R1. DOWN RELAY
- 11
- 12
- 13
- 14
- 15
- 16
- 17
- 18
- 19
- 20 R4. HOIST UP RELAY
- 21
- 22
- 23 R5. HOIST DOWN RELAY
- 24
- 25
- 26
- 27
- 28

S.M. ELEV.		MaCLAREN ENGINEERS INC. WARDROP ENGINEERING INC. ENGINEERING CONSULTANTS			THE CITY OF WINNIPEG WORKS AND OPERATIONS DIVISION WATERWORKS, WASTE & DISPOSAL DEPARTMENT
DESIGNED BY	K.J.	CHECKED BY	[Signature]		
DRAWN BY	N.C.	APPROVED BY	[Signature]	PRIMARY CLARIFIER EXPANSION - ELECTRICAL SHEET OF	
0 ISSUED FOR TENDER	08/89	K.J.		CONSULTANT DRAWING NO. 870012-01-18-E128	SEP-302
- ISSUED FOR APPROVAL	06/89	K.J.		PRIMARY CLARIFIER 1 BRIDGE HOIST CONTROL LOOP DIAGRAM	
NO. REVISIONS	DATE	BY	DATE	MARCH 1988	