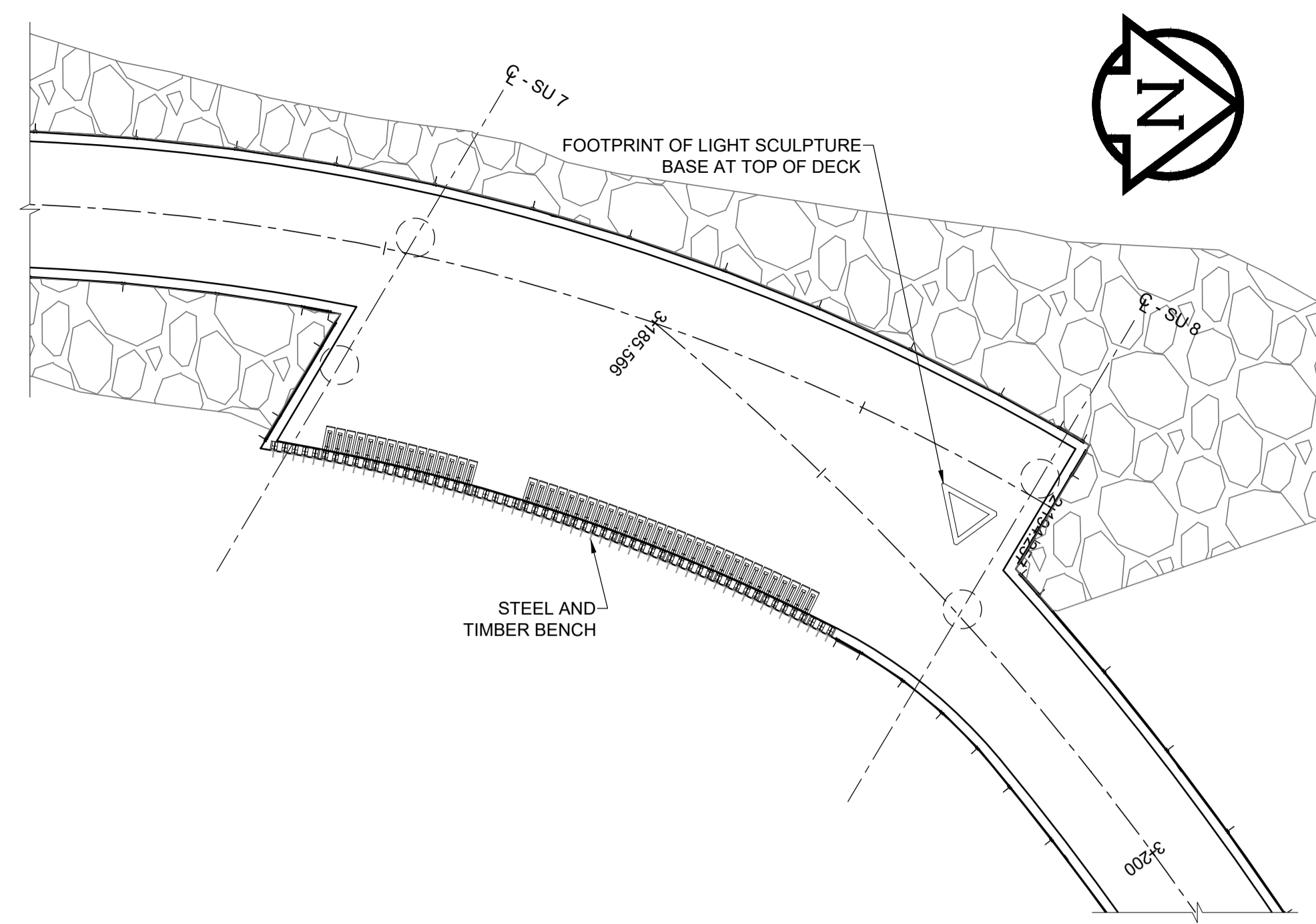
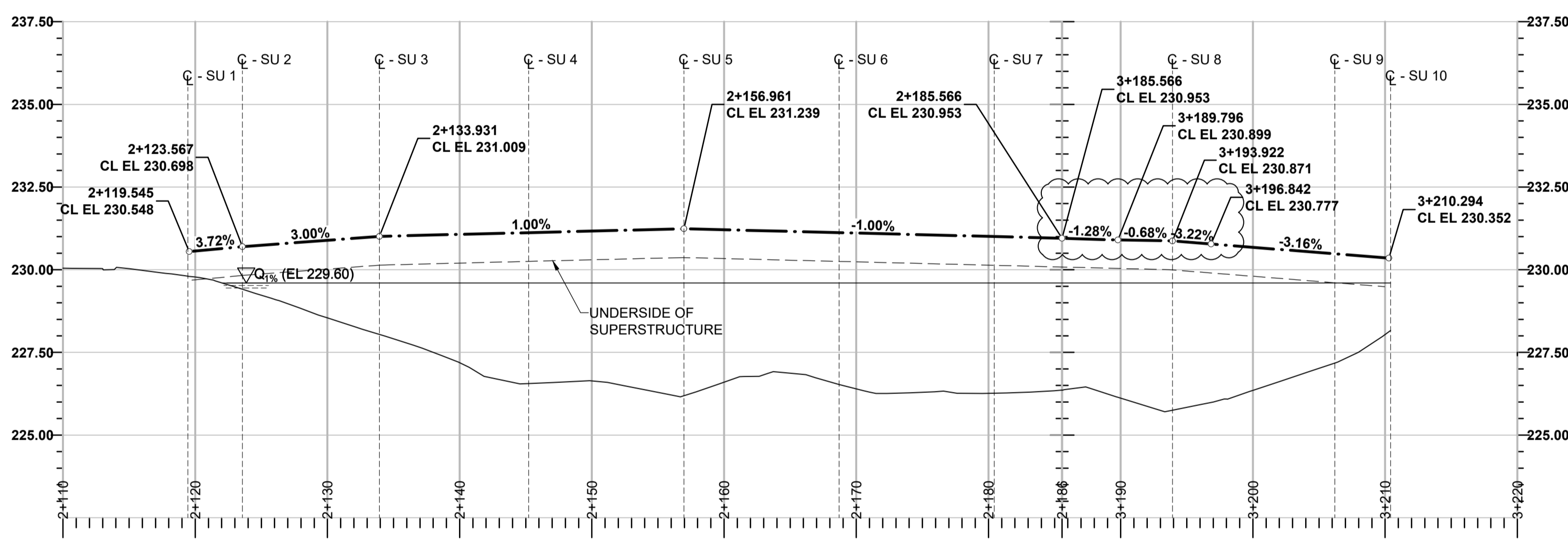


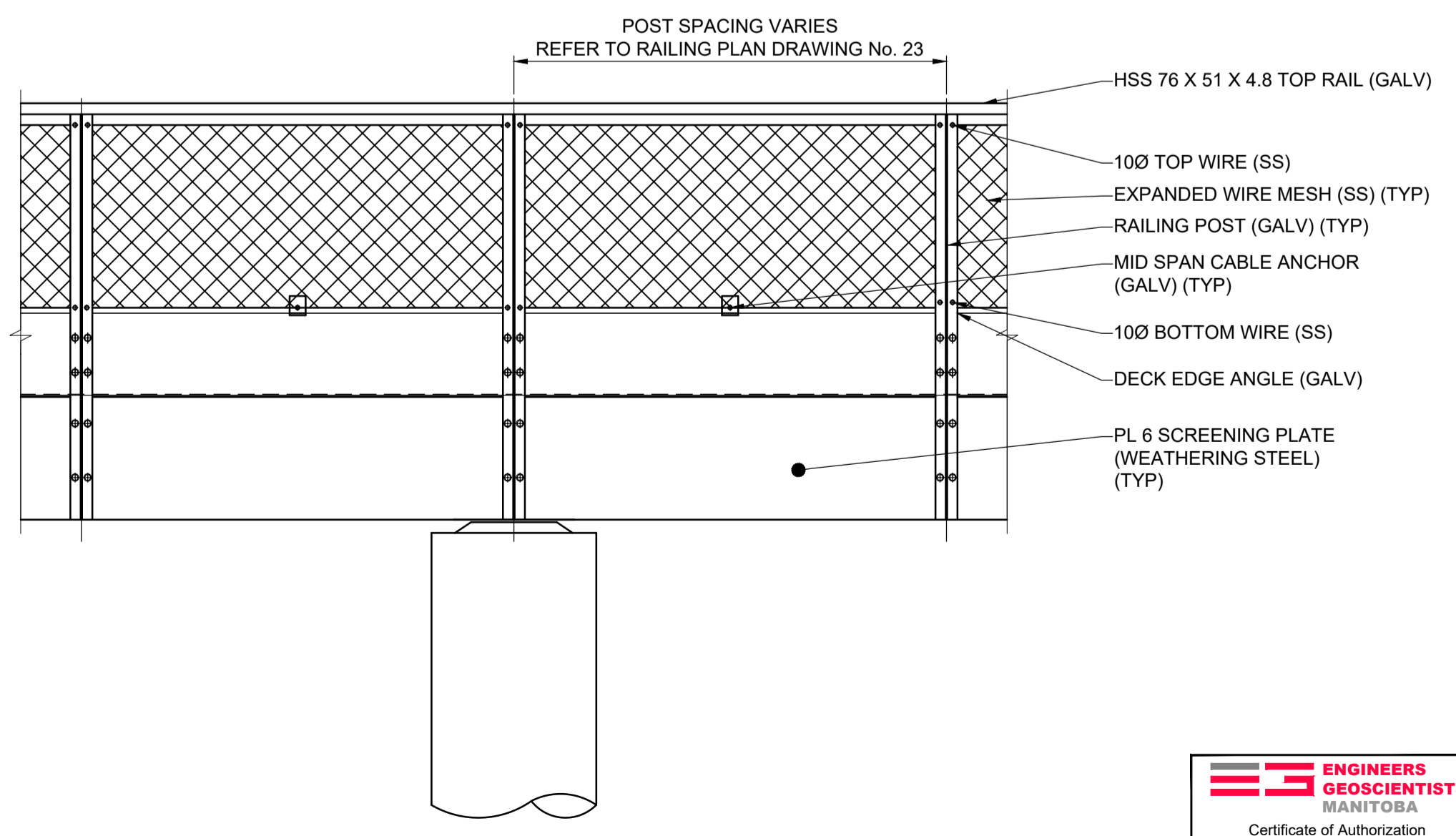
PLAN
SCALE: 1:200



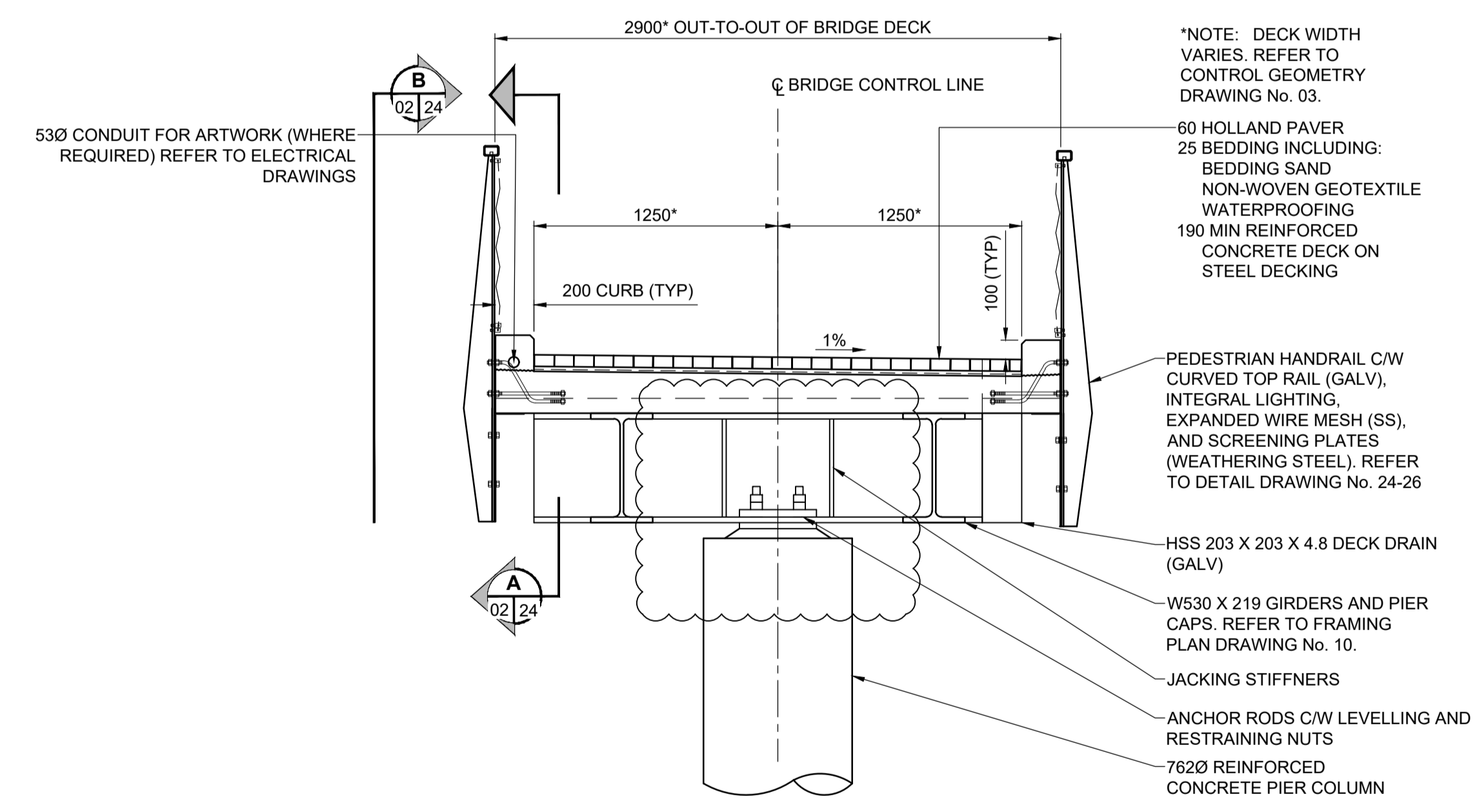
DETAIL - LOOKOUT PLATFORM
SCALE: 1:100



PROFILE
SCALE: 1:300



SECTION - TYPICAL ELEVATION
SCALE: 1:25



SECTION - TYPICAL SUPERSTRUCTURE
SCALE: 1:25

NOTE: THE CONTRACTOR SHALL SUBMIT HIS COMPLETE CONSTRUCTION STAGING PLAN AND SCHEDULE TO THE CONTRACT ADMINISTRATOR FOR REVIEW AND ACCEPTANCE PRIOR TO PROCEEDING WITH THE WORK. THE FOLLOWING CONSTRUCTION STAGING HAS BEEN ASSUMED AS THE BASIS OF DESIGN.

- CONSTRUCTION STAGING - BASIS OF DESIGN:**
- INSTALL SUBSTRUCTURE ACCORDING TO THE SEQUENCE DESCRIBED ON DRAWING No. 05
 - INSTALL SUPERSTRUCTURE ACCORDING TO THE SEQUENCE DESCRIBED ON DRAWING No. 10
 - INSTALL JUMP SLABS ACCORDING TO THE SEQUENCE DESCRIBED ON DRAWING No. 21

LOCATION APPROVED
UNDERGROUND STRUCTURES

SUPR. U/G STRUCTURES COMMITTEE DATE

NOTE:
LOCATION OF UNDERGROUND STRUCTURES AS SHOWN ARE BASED ON THE BEST INFORMATION AVAILABLE BUT NO GUARANTEE IS GIVEN THAT ALL EXISTING UTILITIES ARE SHOWN OR THAT THE GIVEN LOCATIONS ARE EXACT. CONFIRMATION OF EXISTENCE AND EXACT LOCATION OF ALL SERVICES MUST BE OBTAINED FROM THE INDIVIDUAL UTILITIES BEFORE PROCEEDING WITH CONSTRUCTION.



METRIC
WHOLE NUMBERS INDICATE MILLIMETRES
DECIMALIZED NUMBERS INDICATE METRES

DESIGNED BY: DAN		CHECKED BY: AF	
DRAWN BY: AH		APPROVED BY: BE	
RELEASED FOR CONSTRUCTION			
HOR SCALE: AS SHOWN		VERT SCALE: AS SHOWN	
DATE: 17/10/13		DATE: 17/10/13	



THE CITY OF WINNIPEG
PUBLIC WORKS DEPARTMENT
ENGINEERING DIVISION

TACHE PROMENADE TREETOP LOOKOUT

GENERAL ARRANGEMENT

CITY DRAWING NUMBER: B250-17-28
SHEET 28 OF 70
DRAWING No. 02

BID OPPORTUNITY No. 754-2017