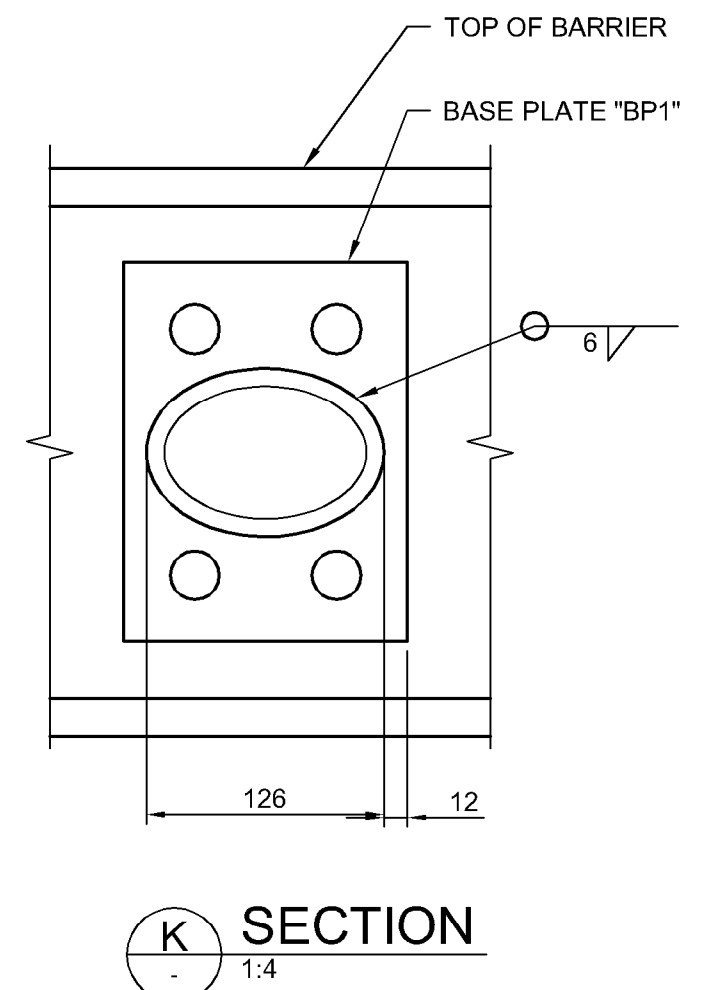
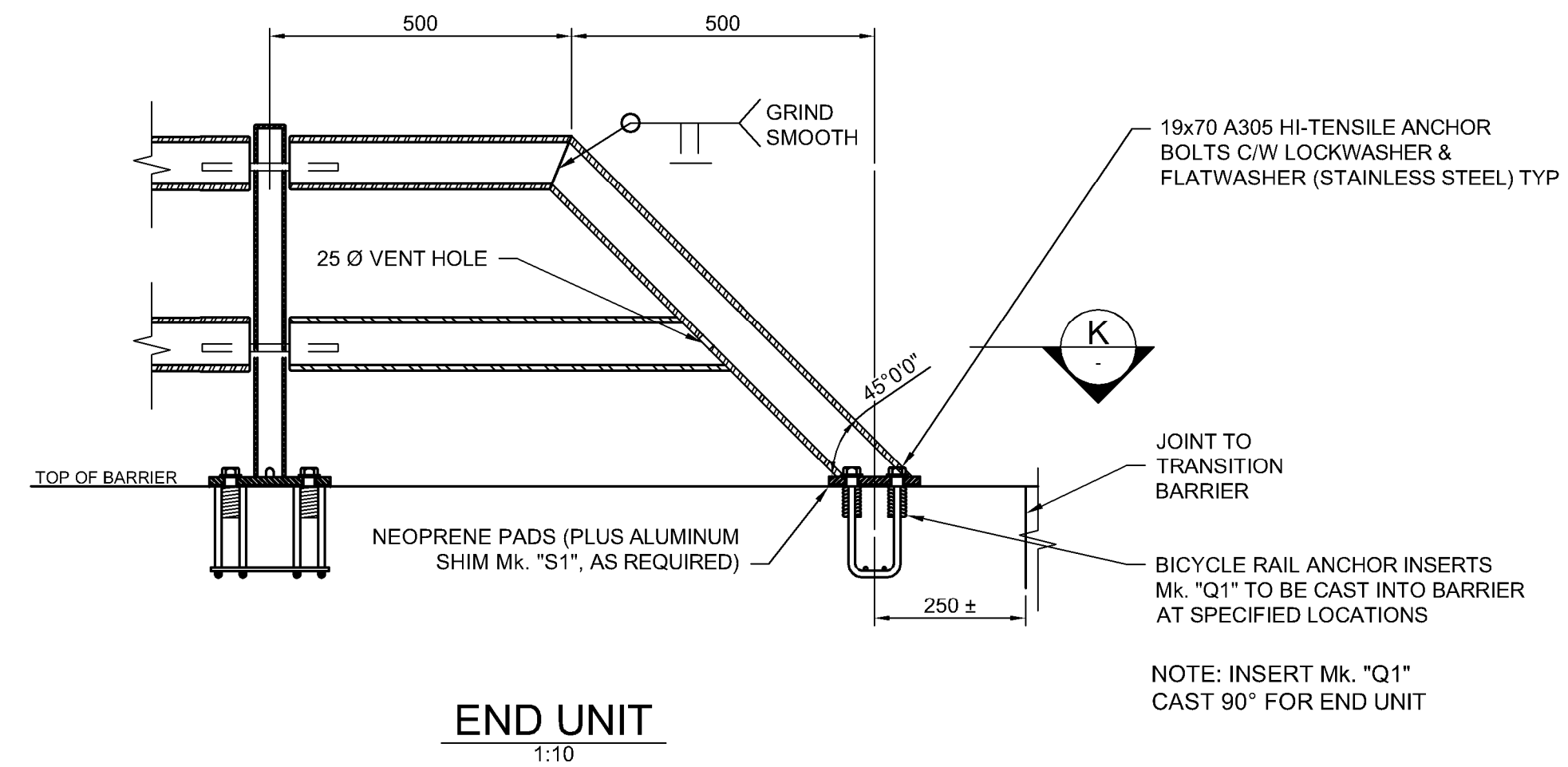


DETAIL OF POST Mk. "P5" 1:4

DETAIL OF POST Mk. "P4" 1:4

TYPICAL AT END OF EXISTING RETAINING WALL TO NEW BARRIER WALL BICYCLE RAIL
MAY HAVE OPPOSITE ORIENTATION AT SOME LOCATIONS



APEGM
Certificate of Authorization
Dillon Consulting Limited (MB)
No. 1789 Date: 18/03/16

UNDERGROUND STRUCTURES	B.M. ELEV.	DESIGNED BY	DRA	ENGINEER'S SEAL				THE CITY OF WINNIPEG PUBLIC WORKS DEPARTMENT
SUPY. U/G STRUCTURES	DATE	DRAWN BY	DJB	CONSULTANT PROJECT NUMBER				
LOCATION OF UNDERGROUND STRUCTURES AS SHOWN ARE BASED ON THE BEST INFORMATION AVAILABLE, BUT NO GUARANTEE IS GIVEN THAT ALL EXISTING UTILITIES ARE SHOWN OR THAT THE GIVEN LOCATIONS ARE EXACT. CONFIRMATION OF EXISTENCE AND EXACT LOCATION OF ALL SERVICES MUST BE OBTAINED FROM THE INDIVIDUAL UTILITIES BEFORE PROCEEDING WITH CONSTRUCTION.		CHECKED BY	DRA	RELEASED FOR CONSTRUCTION				
		APPROVED BY	TJP	DATE				
		HOR. SCALE	-					
		VERTICAL	-					
		NO. REVISIONS						
		DATE						
		BY						
		DATE						