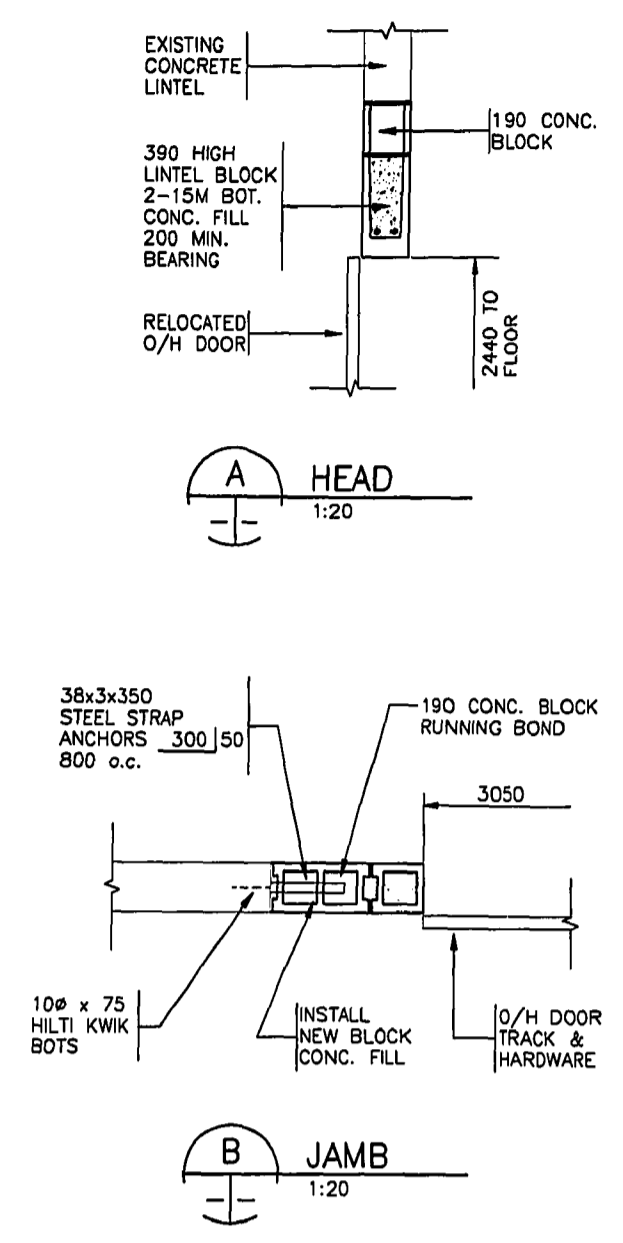
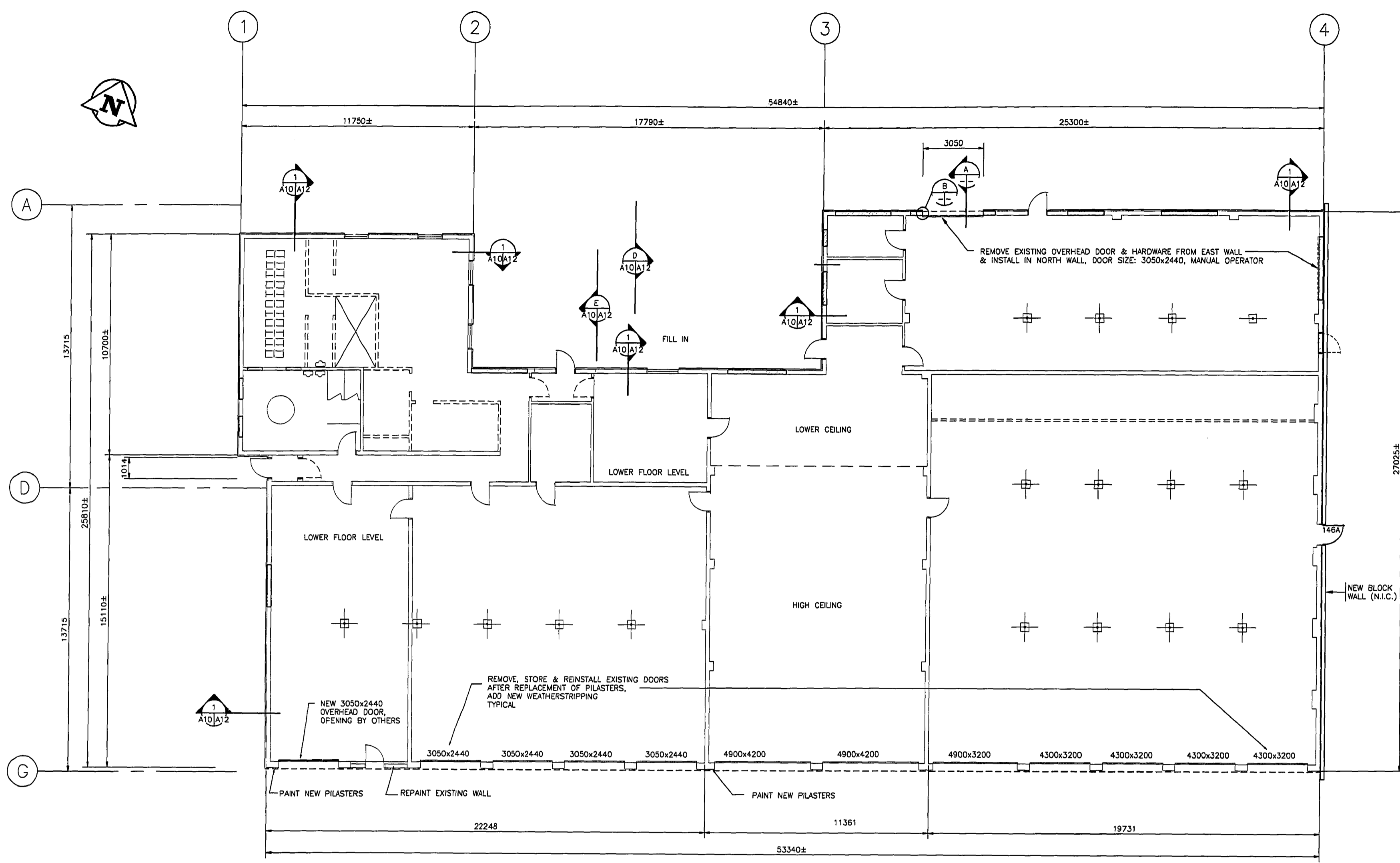
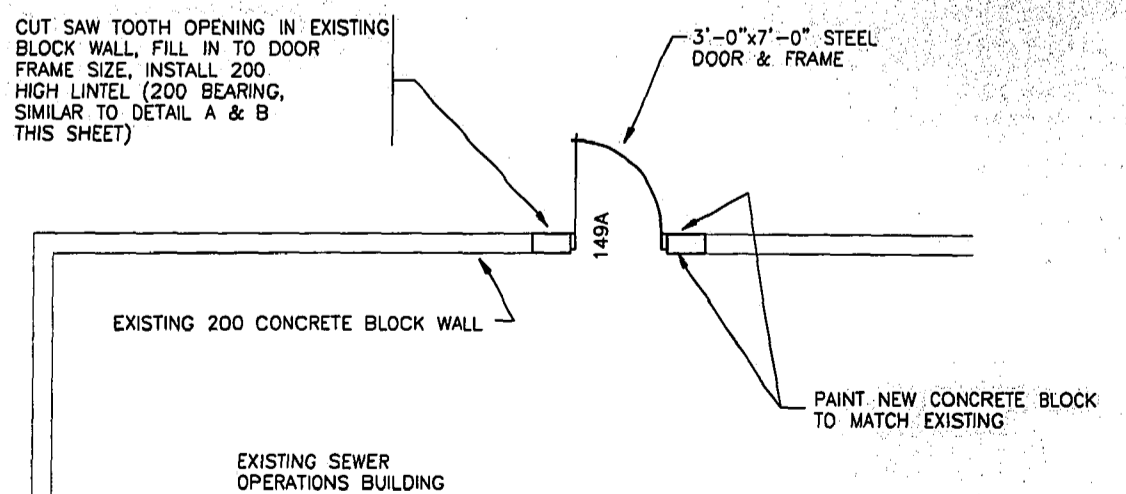


1999 04 23



A EXISTING FLOOR PLAN
A10/A10 1:100

LEGEND
 FILL IN EXISTING OPENING WITH 200 STANDARD WEIGHT CONCRETE BLOCK



AS-CONSTRUCTED DIMENSIONS, MEASUREMENTS AND OTHER DETAILS CONTAINED IN THIS RECORD DRAWING HAVE BEEN SUPPLIED TO UMA ENGINEERING LTD. BY THE CONTRACTOR AND/OR OTHERS. UMA ENGINEERING LTD. DOES NOT IN ANY WAY REPRESENT OR WARRANT THAT SUCH INFORMATION IS ACCURATE AND ASSUMES NO RESPONSIBILITY FOR ANY ERRORS OR OMISSIONS CONTAINED THEREIN.

B SEWER BUILDING PARTIAL PLAN
A10/A10 1:50

REV	DESCRIPTION	DWN	APP	DATE	ISSUED	SEAL	SEAL
5	FOR RECORD DRAWINGS	RG		00 03 08	FOR RECORD DRAWINGS		
4	PAINTING & SPECIAL COATINGS	JRC		99 04 23	FOR RFQ 439-99 TENDER		
3	DOORS, HARDWARE & GLAZING	JRC		99 04 12	FOR RFQ 438-99 TENDER		
2	SPECIAL DOORS & ALUMINUM WINDOWS	JRC		99 03 18	FOR DOOR & WDW TENDER		
1	MASONRY ONLY	BJH		99 03 11	ISSUED FOR TENDER		
0	PRE-ENGINEERED BUILDING ONLY	BJH		99 02 10	ISSUED FOR TENDER		

uma UMA Engineering Ltd.
Engineers & Planners
1479 Buffalo Place, Winnipeg, Manitoba, Canada R3T 1L7

APPROVED _____ DATE _____
 DRAWN BY BJH DESIGNED BY JRC
 CHECKED BY JRC CHECKED BY _____
 SCALE AS NOTED JOB No. 41 13 D053 008 01

RFQ No. 439-99

CITY OF WINNIPEG
REDEVELOPMENT OF PLINGUET SITE

WINNIPEG MANITOBA

ARCHITECTURAL EXISTING BUILDING BUILDING PLAN

FILE NO. 0081CA10
DWG. No. **A10**

D-6746