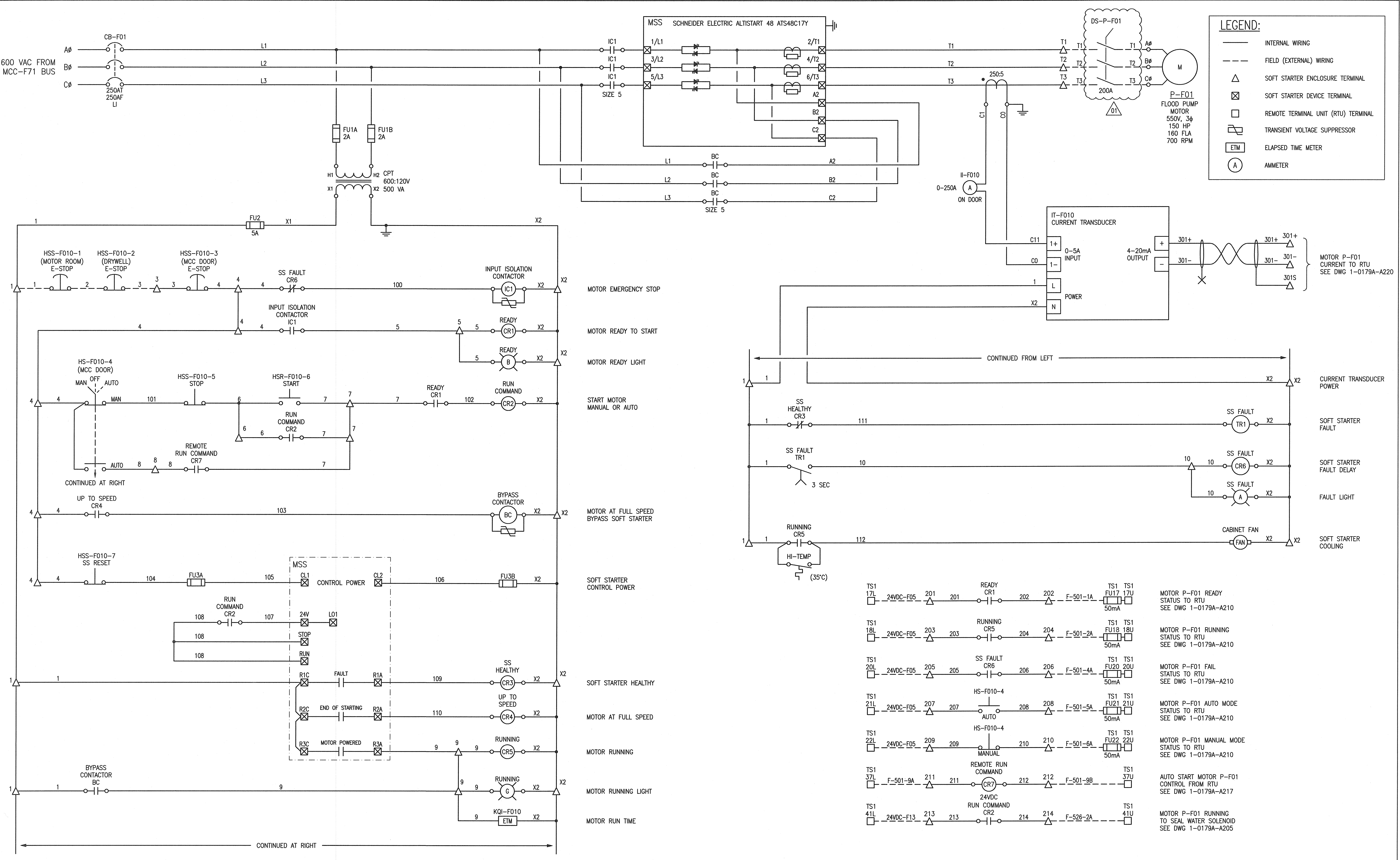
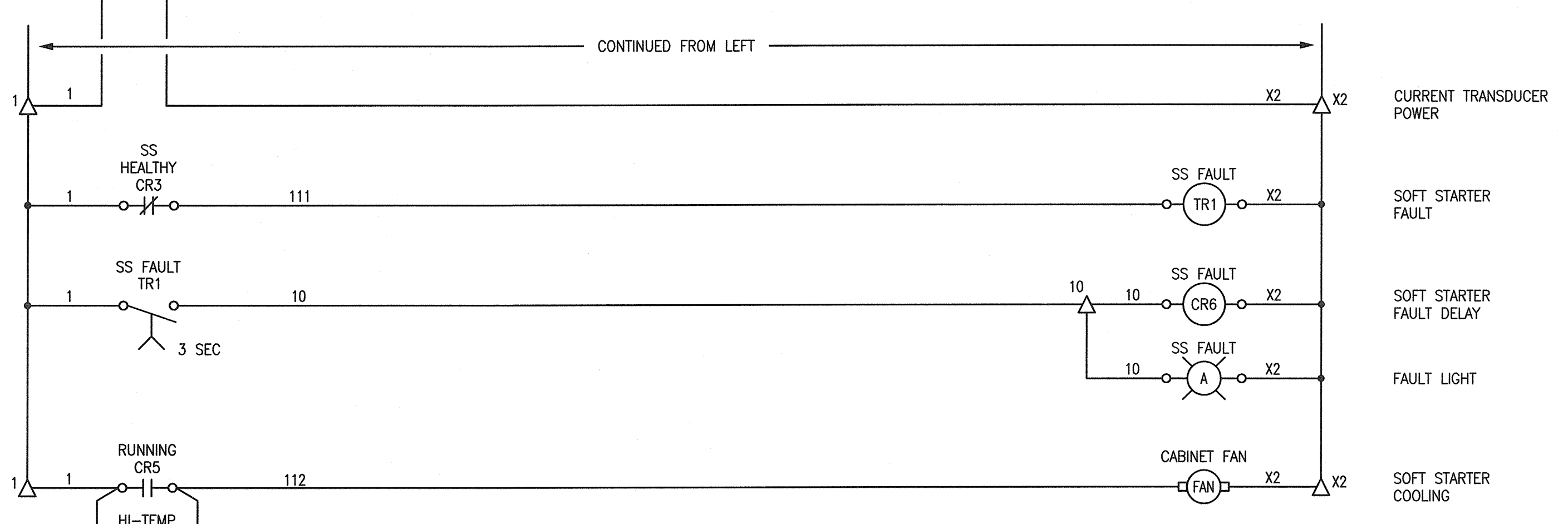


A1 SIZE - 594mm x 841mm



LEGEND:

- INTERNAL WIRING
- - - FIELD (EXTERNAL) WIRING
- △ SOFT STARTER ENCLOSURE TERMINAL
- ⊠ SOFT STARTER DEVICE TERMINAL
- REMOTE TERMINAL UNIT (RTU) TERMINAL
- ⊞ TRANSIENT VOLTAGE SUPPRESSOR
- ETM ELAPSED TIME METER
- (A) AMMETER



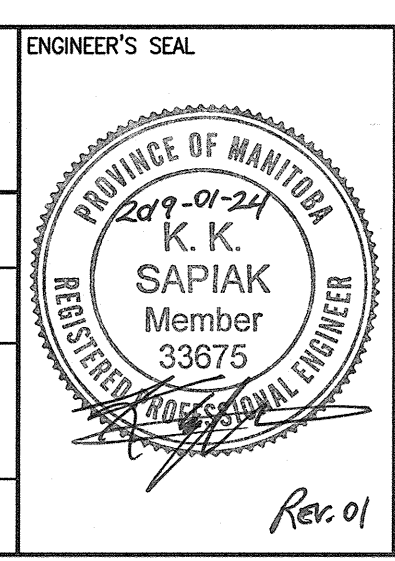
TS1 17L	24VDC-F05	201	201	READY CR1	202	202	F-501-1A	TS1 TS1 FU17 17U	50mA	MOTOR P-F01 READY STATUS TO RTU SEE DWG 1-0179A-A210
TS1 18L	24VDC-F05	203	203	RUNNING CR5	204	204	F-501-2A	TS1 TS1 FU18 18U	50mA	MOTOR P-F01 RUNNING STATUS TO RTU SEE DWG 1-0179A-A210
TS1 20L	24VDC-F05	205	205	SS FAULT CR6	206	206	F-501-4A	TS1 TS1 FU20 20U	50mA	MOTOR P-F01 FAIL STATUS TO RTU SEE DWG 1-0179A-A210
TS1 21L	24VDC-F05	207	207	HS-F010-4 AUTO	208	208	F-501-5A	TS1 TS1 FU21 21U	50mA	MOTOR P-F01 AUTO MODE STATUS TO RTU SEE DWG 1-0179A-A210
TS1 22L	24VDC-F05	209	209	HS-F010-4 MANUAL	210	210	F-501-6A	TS1 TS1 FU22 22U	50mA	MOTOR P-F01 MANUAL MODE STATUS TO RTU SEE DWG 1-0179A-A210
TS1 37L	F-501-9A	211	211	REMOTE RUN COMMAND	212	212	F-501-9B	TS1 37U		AUTO START MOTOR P-F01 CONTROL FROM RTU SEE DWG 1-0179A-A217
TS1 41L	24VDC-F13	213	213	24VDC RUN COMMAND CR2	214	214	F-526-2A	TS1 41U		MOTOR P-F01 RUNNING TO SEAL WATER SOLENOID SEE DWG 1-0179A-A205

LAST SAVE: 2019/01/25 - 8:45am
PATH: M:\057381\GEN\WFILE\DD - General DWG\1-0179F-E0014-001.dwg

1-0179F-E0015	CONNECTION DIAGRAM MS-F01 FLOOD PUMP
1-0179F-E0003	ELECTRICAL SINGLE LINE DIAGRAM
DRAWING NUMBER	REFERENCE DRAWINGS



		SNC-LAVALIN INC. 149 Notre Dame Way Winnipeg, MB, Canada R3P 0X7 204-786-8080	
DESIGNED BY:	K. SAPIAK	CHECKED BY:	B. CLEVEN
DRAWN BY:	K. SAPIAK	APPROVED BY:	B. CLEVEN
SCALE:	NTS	ISSUED FOR CONSTRUCTION BY:	K. ZUREK
DATE:	2018/08/16	DATE:	2019/01/24
CONSULTANT NO.:			
NO.	REVISIONS	DATE	DESIGN CHECK
01	ADDED LOCAL SWITCHES, ISSUED FOR CONSTRUCTION	2019/01/24	KS BC
00	ISSUED FOR TENDER AND CONSTRUCTION	2018/12/14	KS BC



THE CITY OF WINNIPEG
WATER AND WASTE DEPARTMENT

ROLAND FLOOD PUMPING STATION
2019 UPGRADES
MOTOR STARTER SCHEMATIC
MS-F01
FLOOD PUMP

CITY DRAWING NUMBER: 1-0179F-E0014
SHEET: 001
REV: 01
SIZE: A1

1-0179F-E0014-001.dwg