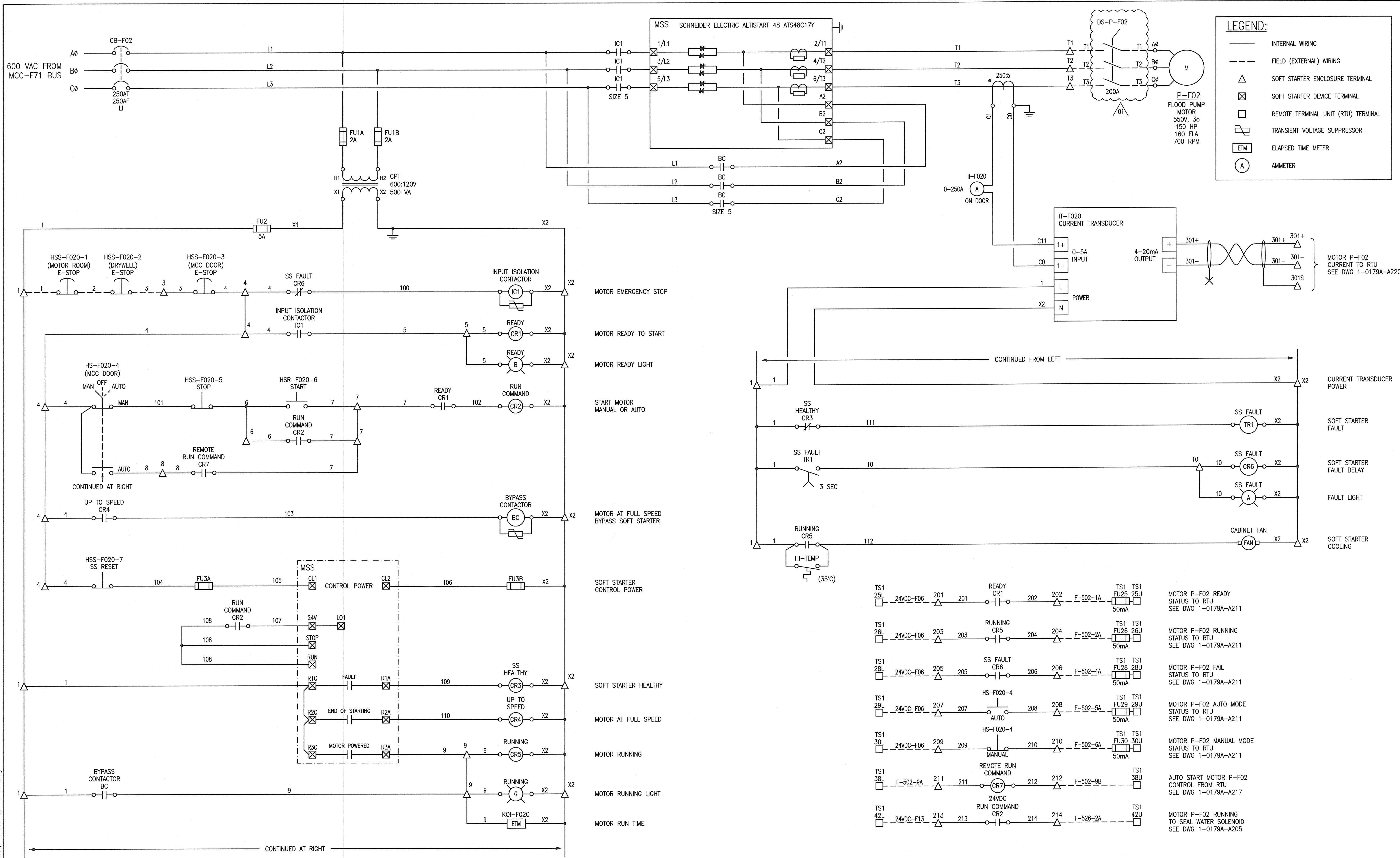
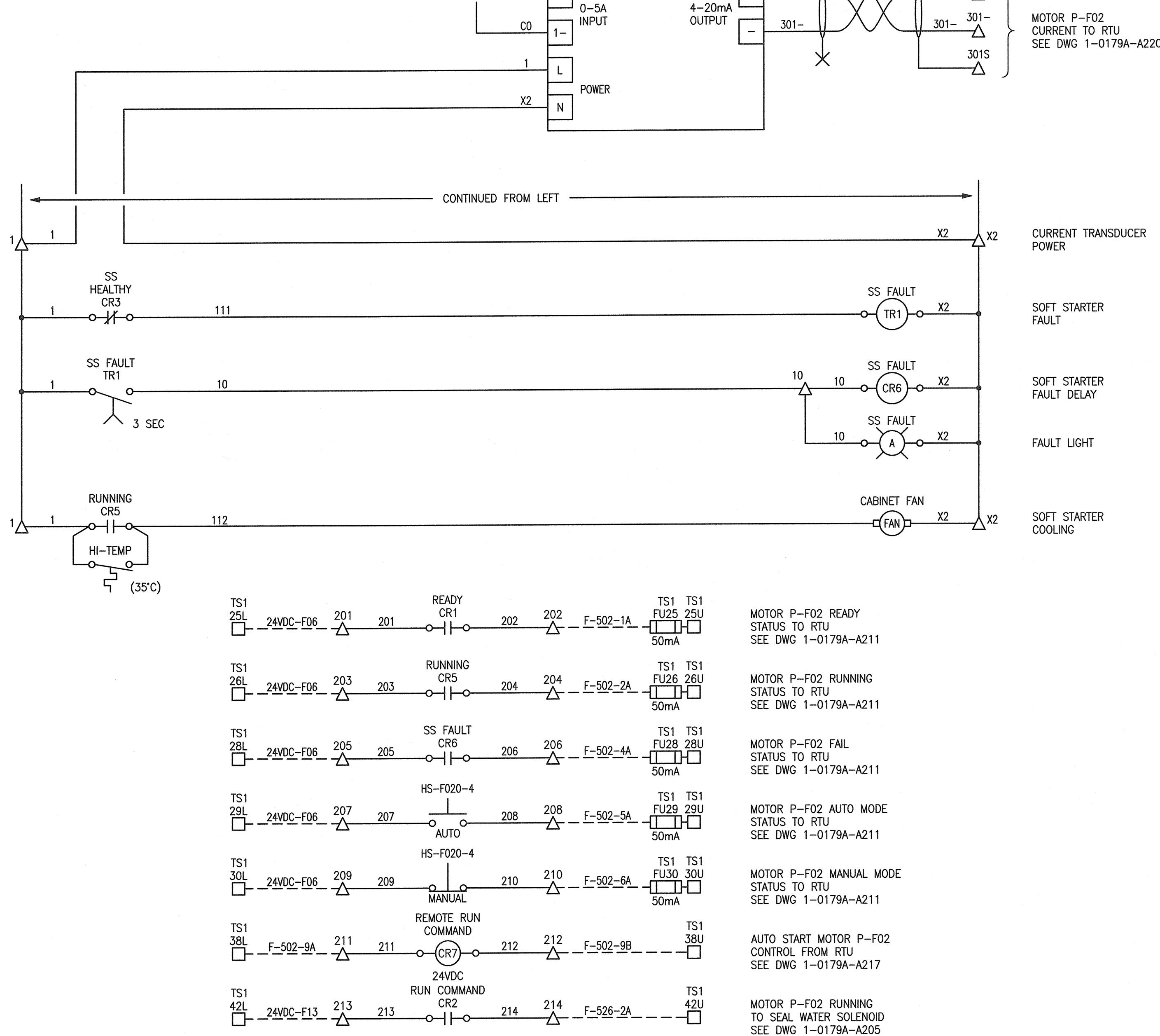


A1 SIZE - 594mm x 841mm



LEGEND:

- INTERNAL WIRING
- - - FIELD (EXTERNAL) WIRING
- △ SOFT STARTER ENCLOSURE TERMINAL
- ⊠ SOFT STARTER DEVICE TERMINAL
- REMOTE TERMINAL UNIT (RTU) TERMINAL
- ⊞ TRANSIENT VOLTAGE SUPPRESSOR
- ETM ELAPSED TIME METER
- A AMMETER



LAST SAVE: 2019/01/25 - 8:49am
PATH: M:\697381\4ENC\7ELE\DD - General DWG\1-0179F-E0016-001.dwg

1-0179F-E0016	CONNECTION DIAGRAM MS-F02 FLOOD PUMP
1-0179F-E0003	ELECTRICAL SINGLE LINE DIAGRAM
DRAWING NUMBER	REFERENCE DRAWINGS

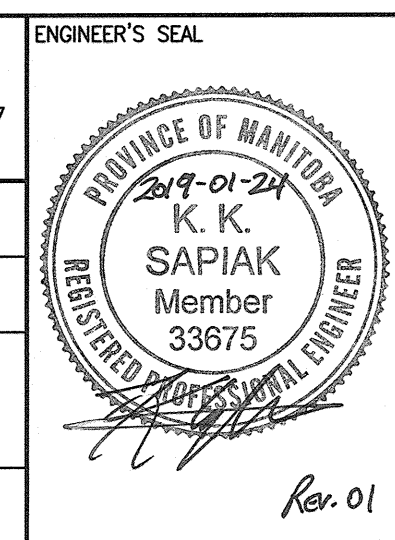


NO.	REVISIONS	DATE	DESIGN	CHECK
01	ADDED LOCAL SWITCHES, ISSUED FOR CONSTRUCTION	2019/01/24	KS	BC
00	ISSUED FOR TENDER AND CONSTRUCTION	2018/12/14	KS	BC

SNC-LAVALIN
148 Nature Park Way
Winnipeg, MB, Canada R3P 0X7
204-786-8080

DESIGNED BY: K. SAPIAK
DRAWN BY: K. SAPIAK
SCALE: NTS
DATE: 2018/08/20
CONSULTANT NO.:

CHECKED BY: B. CLEVEN
APPROVED BY: B. CLEVEN
ISSUED FOR CONSTRUCTION BY: K. ZUREK
DATE: 2019/01/24



THE CITY OF WINNIPEG
WATER AND WASTE DEPARTMENT

ROLAND FLOOD PUMPING STATION
2019 UPGRADES
MOTOR STARTER SCHEMATIC
MS-F02
FLOOD PUMP

CITY DRAWING NUMBER: 1-0179F-E0016
SHEET: 001
REV: 01
SIZE: A1

1-0179F-E0016-001.dwg