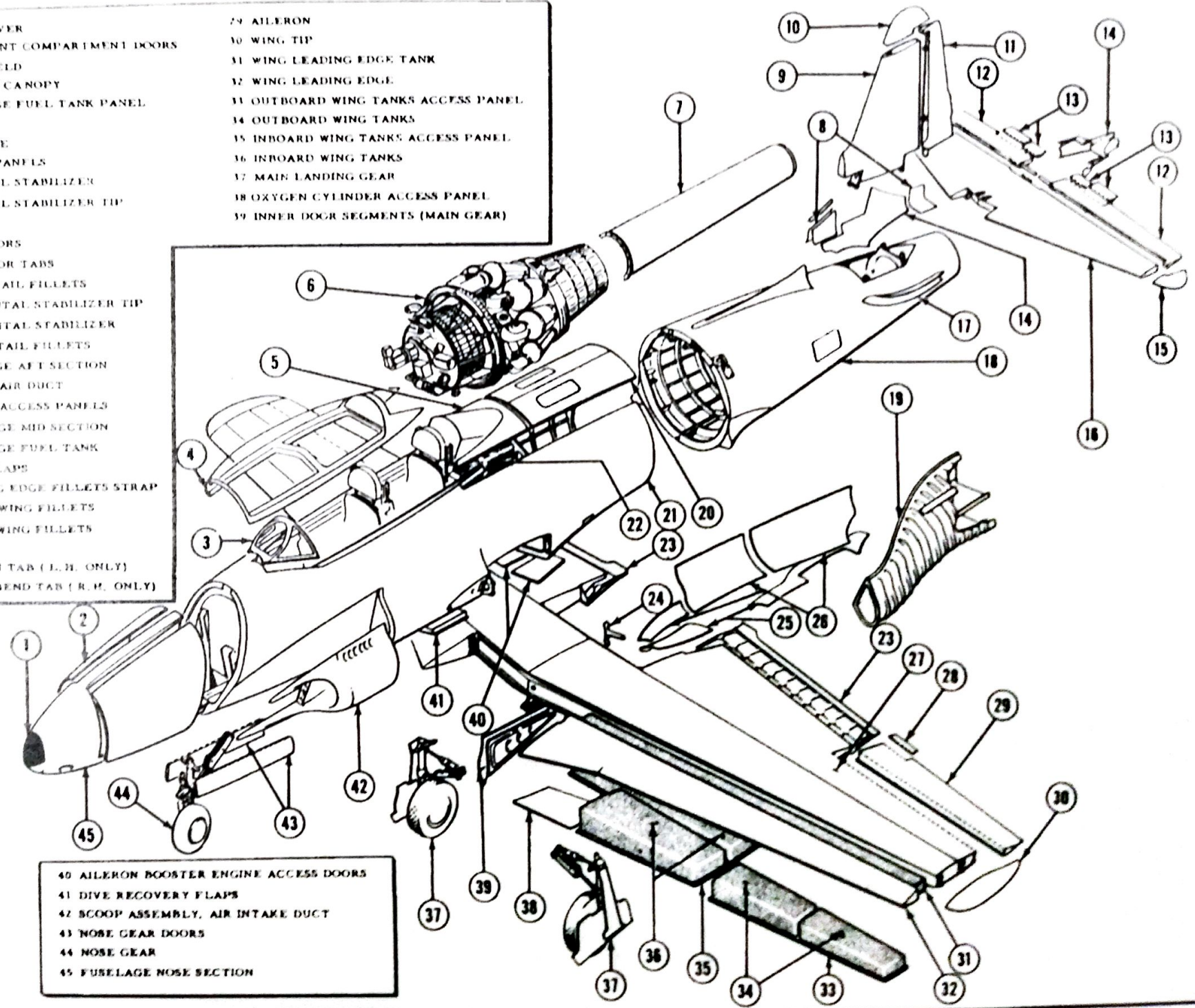


- 1 NOSE COVER
- 2 ARMAMENT COMPARTMENT DOORS
- 3 WINDSHIELD
- 4 COCKPIT CANOPY
- 5 FUSELAGE FUEL TANK PANEL
- 6 ENGINE
- 7 TAIL PIPE
- 8 ACCESS PANELS
- 9 VERTICAL STABILIZER
- 10 VERTICAL STABILIZER TIP
- 11 RUDDER
- 12 ELEVATORS
- 13 ELEVATOR TABS
- 14 UPPER TAIL FILLETS
- 15 HORIZONTAL STABILIZER TIP
- 16 HORIZONTAL STABILIZER
- 17 LOWER TAIL FILLETS
- 18 FUSELAGE AFT SECTION
- 19 INTAKE AIR DUCT
- 20 ENGINE ACCESS PANELS
- 21 FUSELAGE MID SECTION
- 22 FUSELAGE FUEL TANK
- 23 WING FLAPS
- 24 LEADING EDGE FILLETS STRAP
- 25 LOWER WING FILLETS
- 26 UPPER WING FILLETS
- 27 WING
- 28 AILERON TAB (L.H. ONLY)
BEND TAB (R.H. ONLY)

- 29 AILERON
- 30 WING TIP
- 31 WING LEADING EDGE TANK
- 32 WING LEADING EDGE
- 33 OUTBOARD WING TANKS ACCESS PANEL
- 34 OUTBOARD WING TANKS
- 35 INBOARD WING TANKS ACCESS PANEL
- 36 INBOARD WING TANKS
- 37 MAIN LANDING GEAR
- 38 OXYGEN CYLINDER ACCESS PANEL
- 39 INNER DOOR SEGMENTS (MAIN GEAR)



- 40 AILERON BOOSTER ENGINE ACCESS DOORS
- 41 DIVE RECOVERY FLAPS
- 42 SCOOP ASSEMBLY, AIR INTAKE DUCT
- 43 NOSE GEAR DOORS
- 44 NOSE GEAR
- 45 FUSELAGE NOSE SECTION