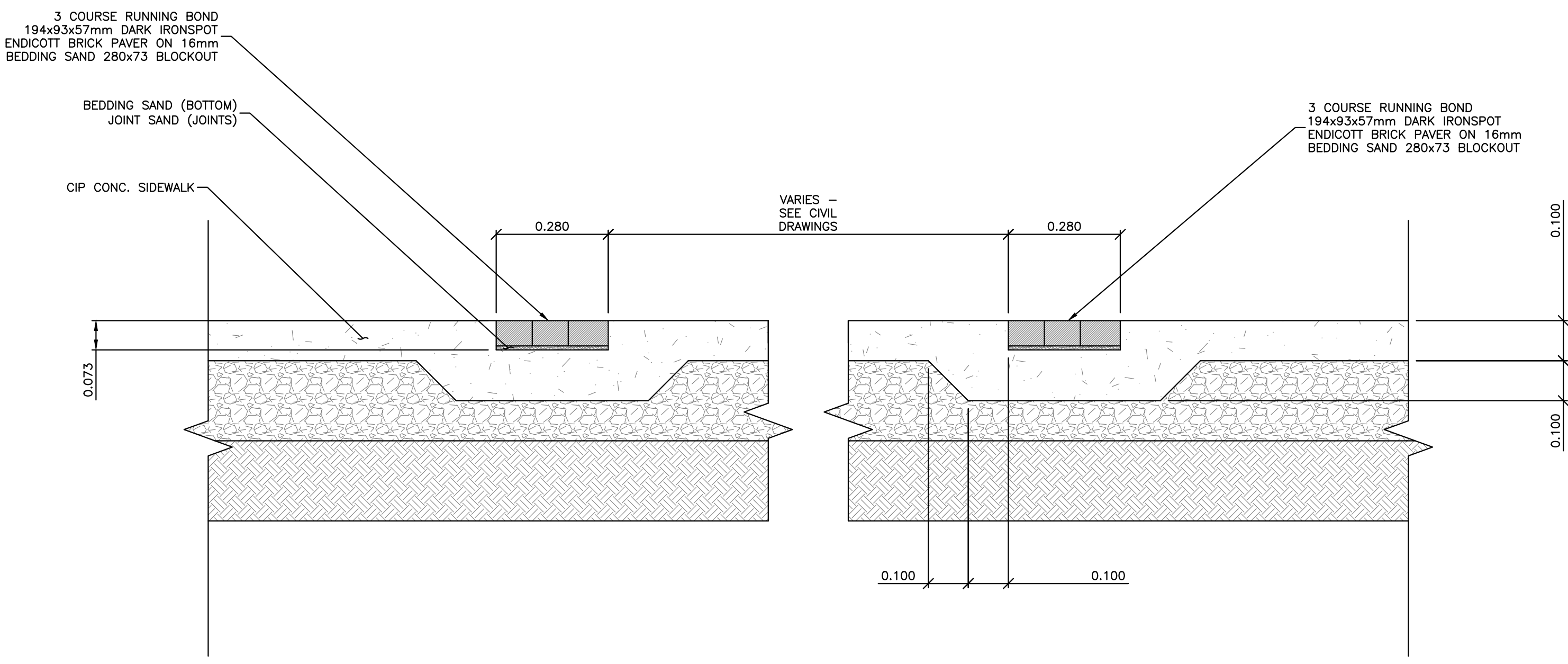
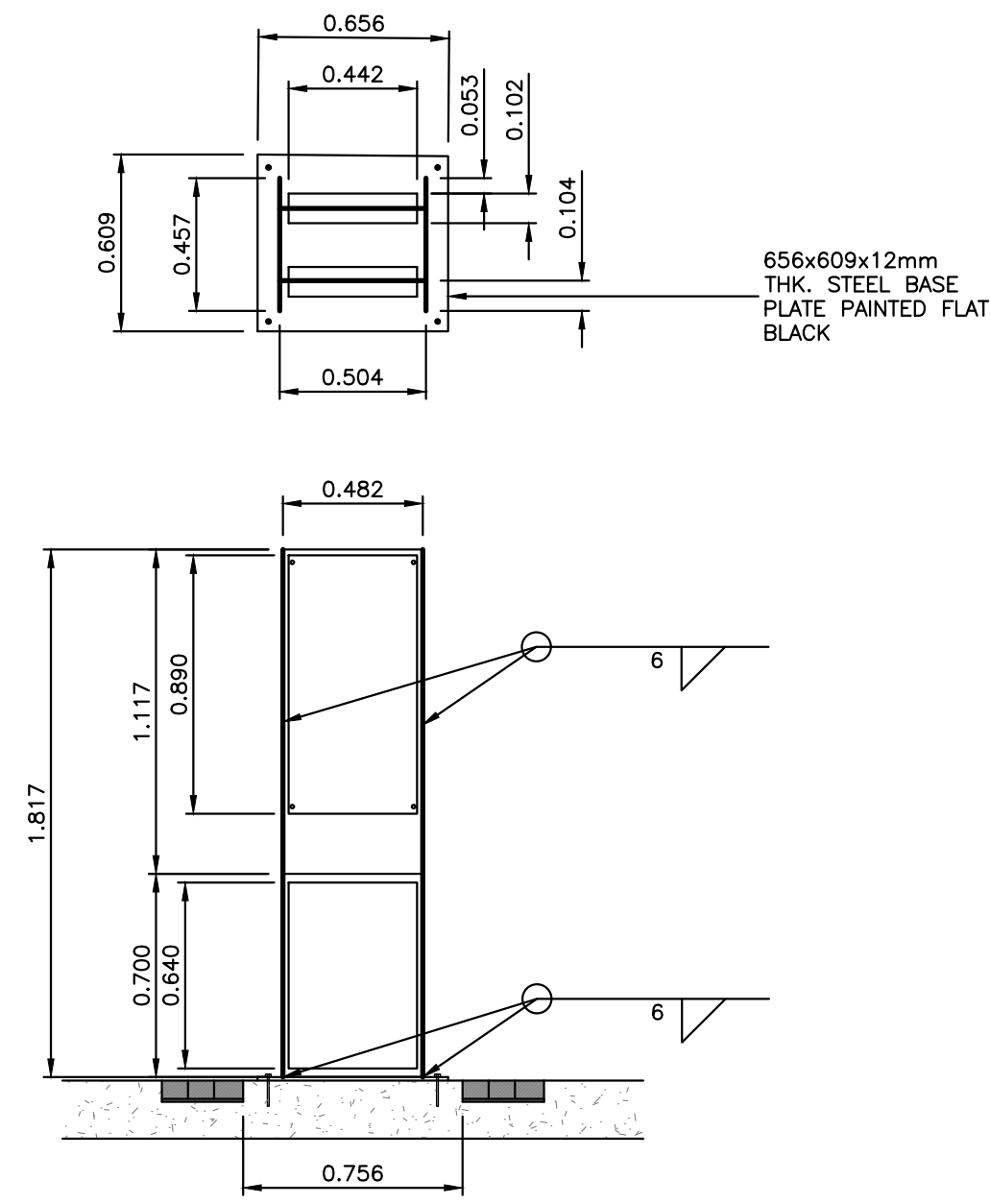


**CURB RAMP W/ TACTILE WARNING TILE**  
NTS

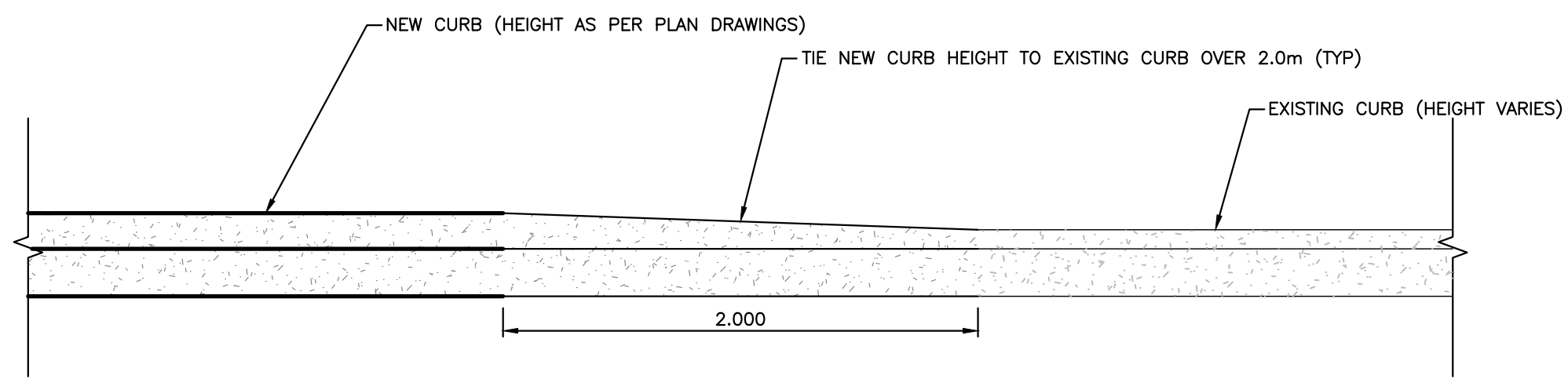
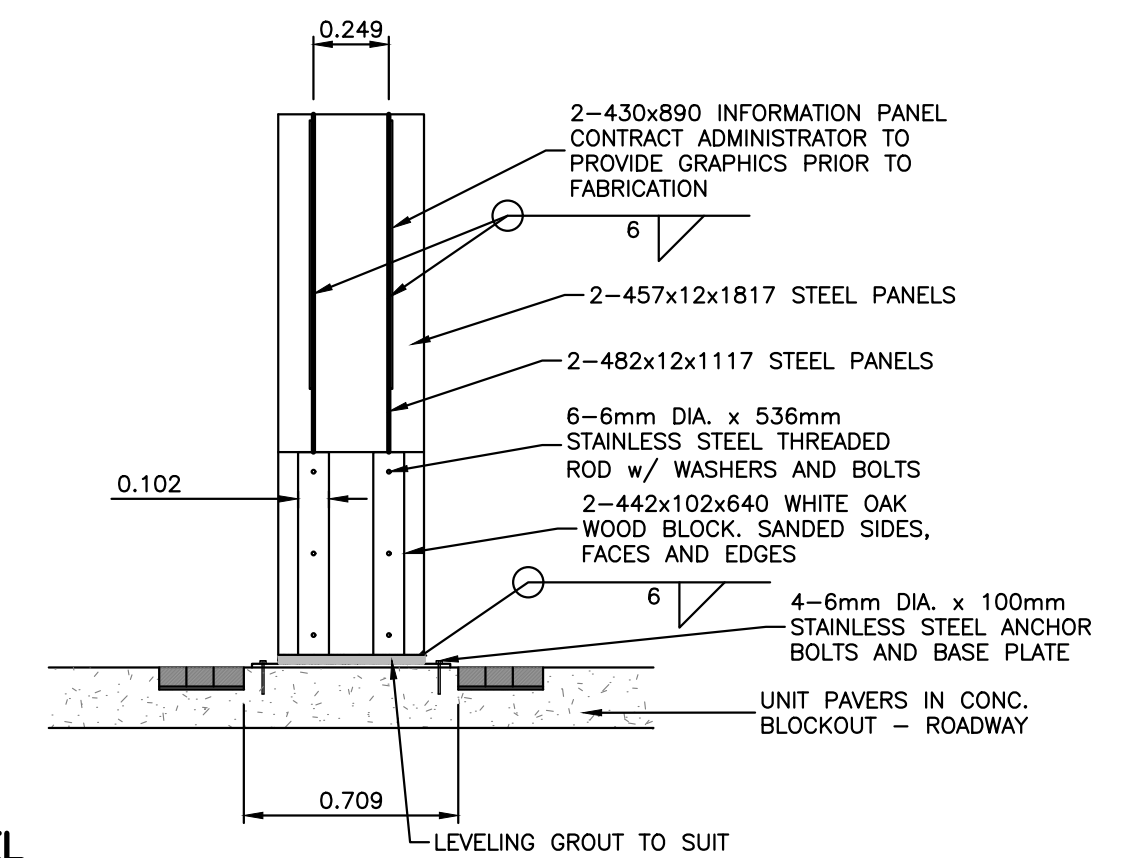


**INDICATOR STRIP - ENDICOTT PAVERS**  
NTS



**INFORMATION PANEL**  
NOT TO SCALE

NOTE: ALL STEEL TO BE PAINTED w/ PRIMER AND COATED w/ SATIN BLACK URETHANE - SEE SPECS.



**NEW CURB TIE IN DETAILS**  
NTS

**ES** ENGINEERS  
GEOLOGISTS  
MANITOBA  
Certificate of Authorization  
Urban Systems Ltd.  
No. 5053

U:\Projects\_VAN\335400\1101\1-D\Design\CAD\PRO\SET 1\C23-335400\1101-DET.dwg, C23, 2018-04-10 09:03 pm mmikolich

|              |                     |              |                     |                     |  |            |
|--------------|---------------------|--------------|---------------------|---------------------|--|------------|
| 150 mm W.M.  | WATERMAIN           | 150 mm W.M.  | HYDRO               | ADJUSTABLE CURB     | LOCATION APPROVED UNDERGROUND STRUCTURES | B.M. ELEV. |
| ◇            | HYDRANT             | ◆            | M.T.S.              | ADJUSTABLE END UNIT |  | B          |
| ⊙            | VALVE               | ⊙            | CONCRETE            | DECORATIVE LIGHT    |  | C          |
| 300mm L.D.S. | LAND DRAINAGE SEWER | 300mm L.D.S. | ASPHALT             | POLYPOST            |  | D          |
| 250mm W.W.S. | WASTEWATER SEWER    | 250mm W.W.S. | PROPERTY LINE       |                     |  |            |
| ○            | MANHOLE             | ⊕            | SURVEY BAR          |                     |  |            |
| □            | CATCH BASIN         | ■            | ELEVATION (35.750)  |                     |  |            |
| ▽            | CURB INLET          | ⊙500         | TREE                |                     |  |            |
| +            | JUNCTIONS           | +            | SIDEWALK DETECTABLE |                     |  |            |
| +            | CULVERT             | +            | CONCRETE SIDEWALK   |                     |  |            |
| +            | GAS                 | +            | FENCE               |                     |  |            |
| EXISTING     | LEGEND - PLAN       | PROPOSED     | EXISTING            | LEGEND - PROFILE    | PROPOSED                                 |            |

SUPV. U/G STRUCTURES COMMITTEE DATE  
NOTE:  
LOCATION OF UNDERGROUND STRUCTURES AS SHOWN ARE BASED ON THE BEST INFORMATION AVAILABLE. BUT NO GUARANTEE IS GIVEN THAT ALL EXISTING UTILITIES ARE SHOWN OR THAT THE GIVEN LOCATIONS ARE EXACT. CONFIRMATION OF EXISTENCE AND EXACT LOCATION OF ALL SERVICES MUST BE OBTAINED FROM THE INDIVIDUAL UTILITIES BEFORE PROCEEDING WITH CONSTRUCTION.

|     |           |      |    |
|-----|-----------|------|----|
| NO. | REVISIONS | DATE | BY |
|     |           |      |    |

**URBAN systems**

DESIGNED BY: M. Nikolich  
DRAWN BY: D. Barry  
HOR. SCALE: As Shown  
VERTICAL:

CHECKED BY: G. Smith  
APPROVED BY: G. Propp  
RELEASED FOR CONSTRUCTION BY:

DATE: APRIL 11, 2018

ENGINEER'S SEAL  
NOT FOR CONSTRUCTION  
CONSULTANT DRAWING NO. 3354.0011.01 C23

**THE CITY OF WINNIPEG**  
PUBLIC WORKS DEPARTMENT  
ENGINEERING DIVISION

McDermot Bannatyne Adjustable Bike Lanes  
Curb Ramp, Indicator Strip, Wayfinding Sign Details

SHEET 23 OF 36  
CAD FILE DRAWING NUMBER C23-3354001101-DET.DWG  
CITY DRAWING NUMBER P-3496-23