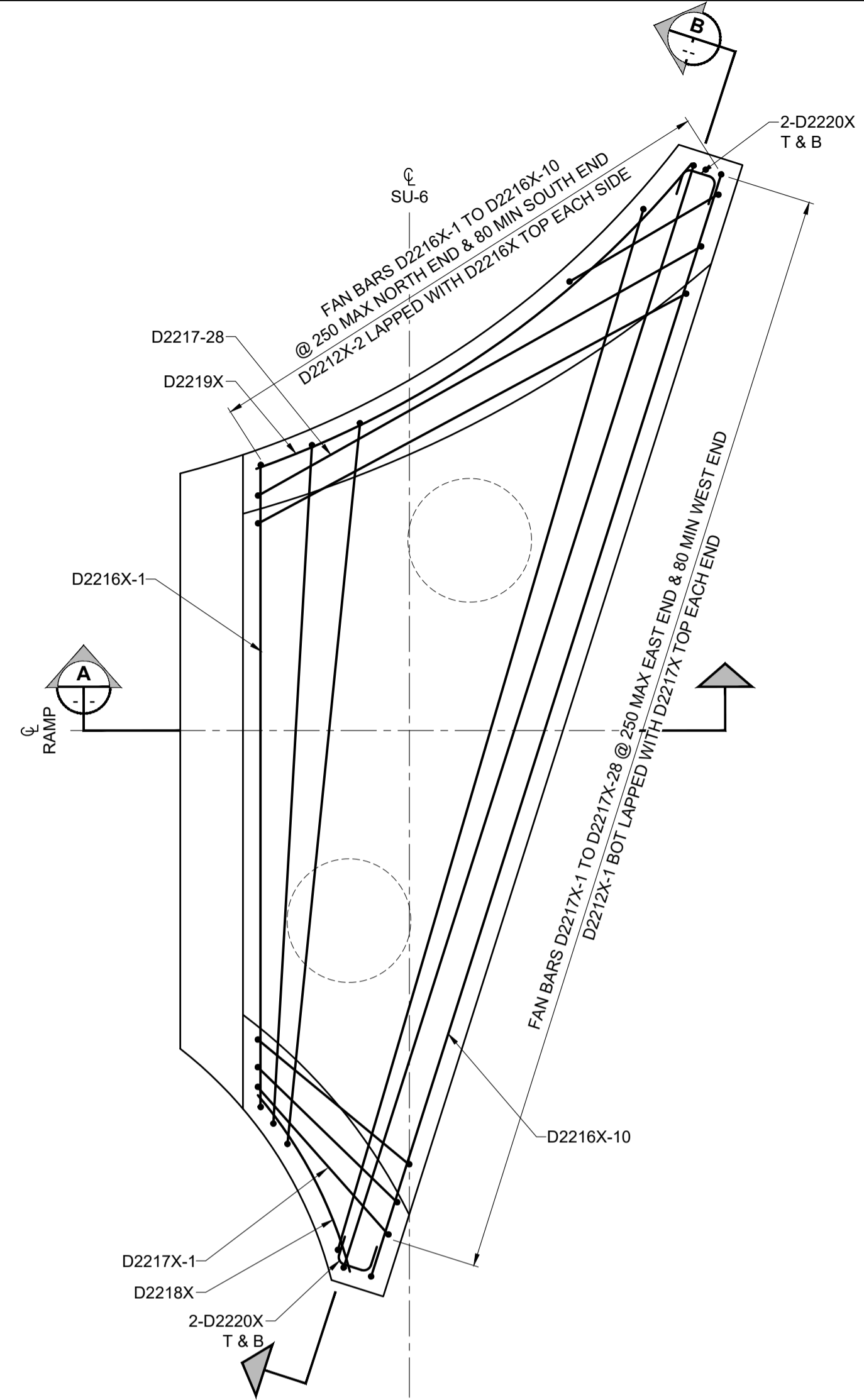


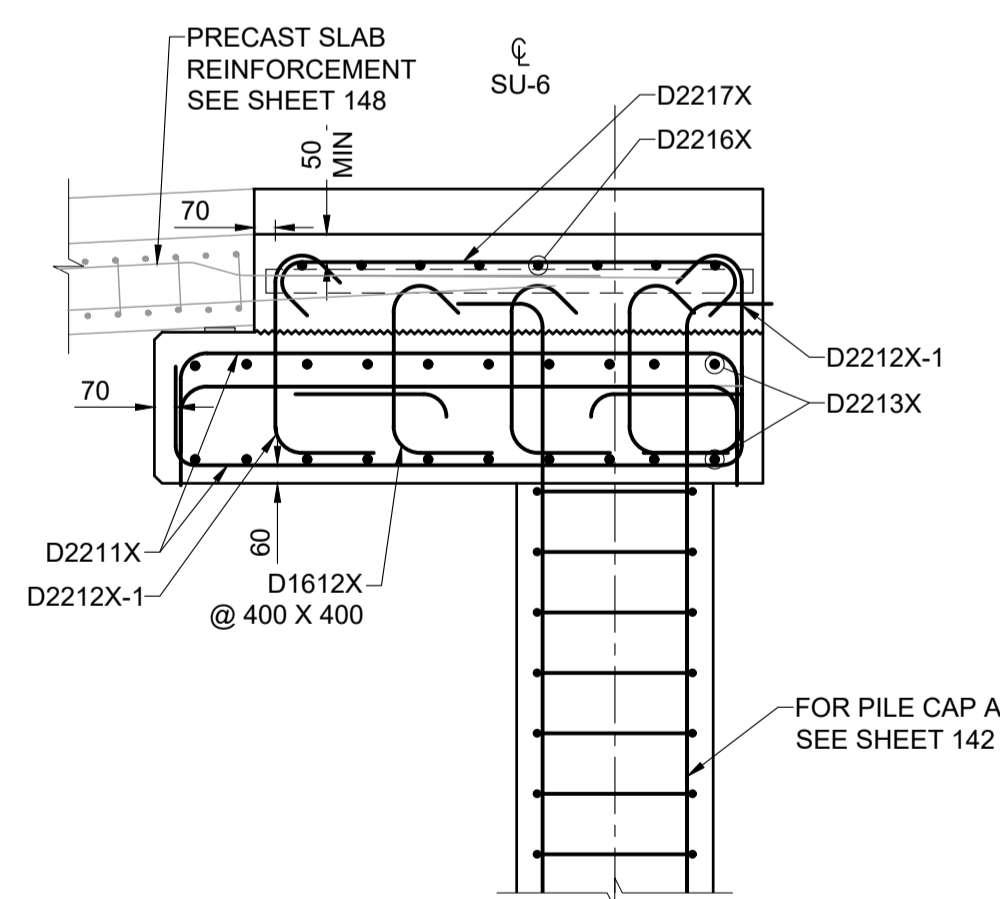
DIAPHRAGM POUR 1 REINFORCING



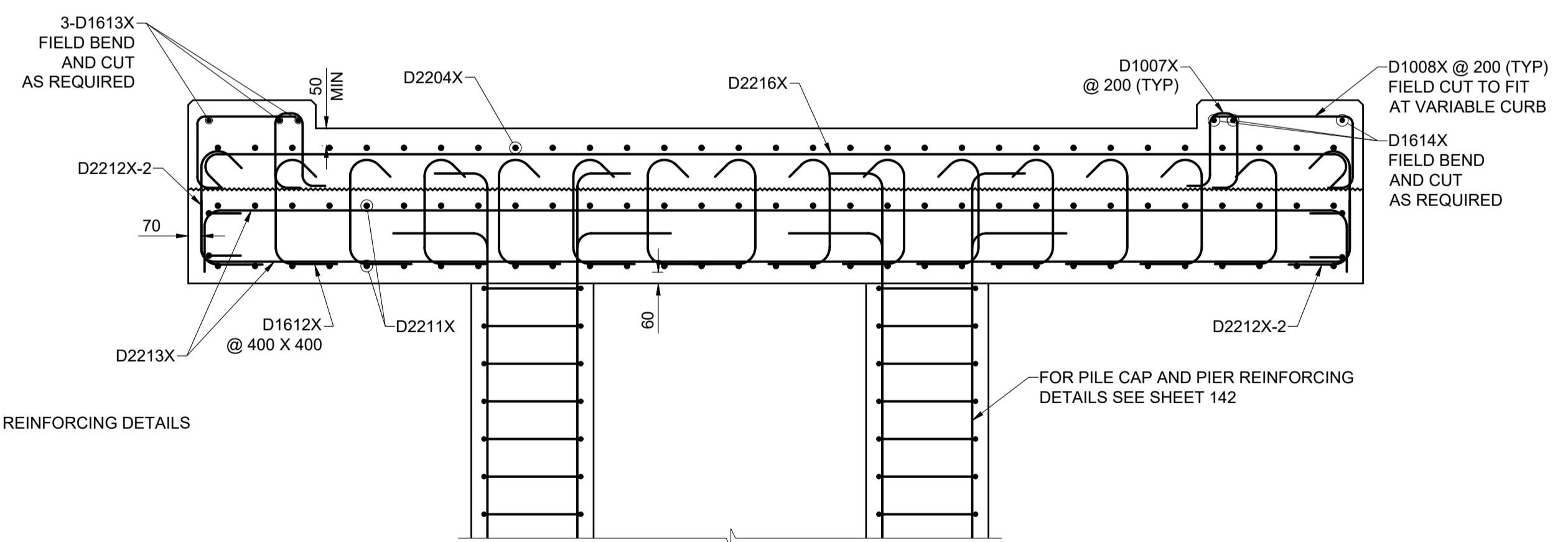
DIAPHRAGM POUR 2 REINFORCING

SU-6 REINFORCING PLAN

SCALE: 1:25



SECTION A
SU-6 DIAPHRAGM
SCALE: 1:25



SECTION B
SU-6 DIAPHRAGM
SCALE: 1:25

BID OPPORTUNITY No. 602-2018



METRIC
WHOLE NUMBERS INDICATE MILLIMETRES
DECIMALIZED NUMBERS INDICATE METRES

LOCATION APPROVED
UNDERGROUND STRUCTURES

NOTE: LOCATION OF UNDERGROUND STRUCTURES AS SHOWN ARE BASED ON THE BEST INFORMATION AVAILABLE BUT NO GUARANTEE IS GIVEN THAT ALL EXISTING UTILITIES ARE SHOWN OR THAT THE GIVEN LOCATIONS ARE EXACT. CONFIRMATION OF EXISTENCE AND EXACT LOCATION OF ALL SERVICES MUST BE OBTAINED FROM THE INDIVIDUAL UTILITIES BEFORE PROCEEDING WITH CONSTRUCTION.

No.	REVISIONS	DATE	BY
C	ISSUED FOR ADDENDUM 1	18/10/05	BAP
B	ISSUED FOR TENDER	18/09/04	BAP
A	ISSUED FOR 95% DESIGN REVIEW	18/08/07	BAP

DESIGNED BY	YM	CHECKED BY	GOW
DRAWN BY	ALP	APPROVED BY	BAP
HOR SCALE	AS SHOWN	RELEASED FOR CONSTRUCTION	
VERT SCALE	AS SHOWN		N/A
DATE		DATE	

PROFESSIONAL'S SEAL
PROVINCE OF MANITOBA
G.Q. WEI
Member
38723
REGISTERED PROFESSIONAL ENGINEER
CONSULTANT FILE NAME
W160034 - DD.NR.DWG

THE CITY OF WINNIPEG
PUBLIC WORKS DEPARTMENT
ENGINEERING DIVISION

EMPRESS STREET PROJECT
PEDESTRIAN ACCESSIBILITY RAMPS
NORTH RAMP
DIAPHRAGM REINFORCING DETAILS 2

CITY DRAWING NUMBER	P-3494-146
SHEET	146 OF 169
DRAWING No.	146
REV	C