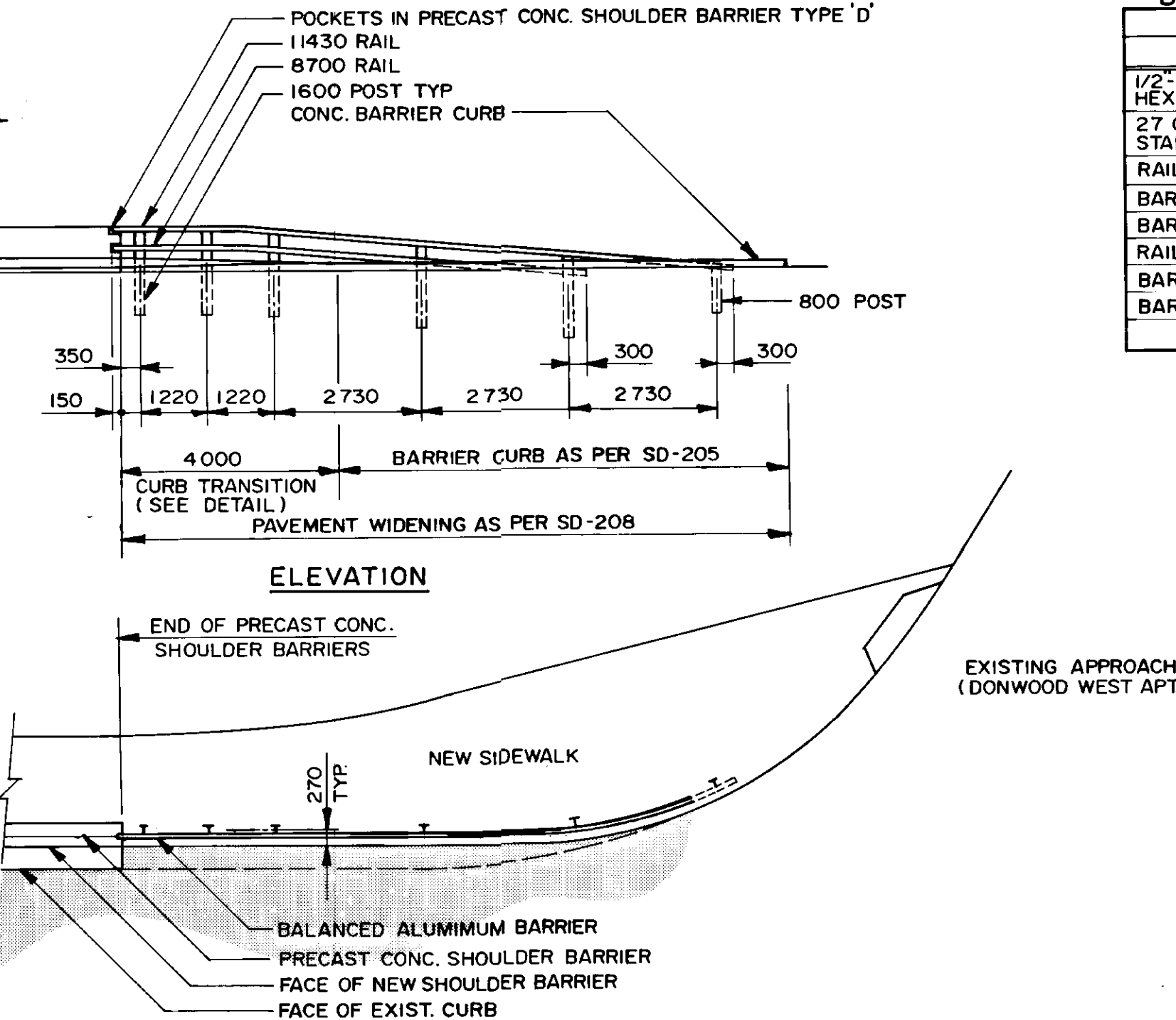


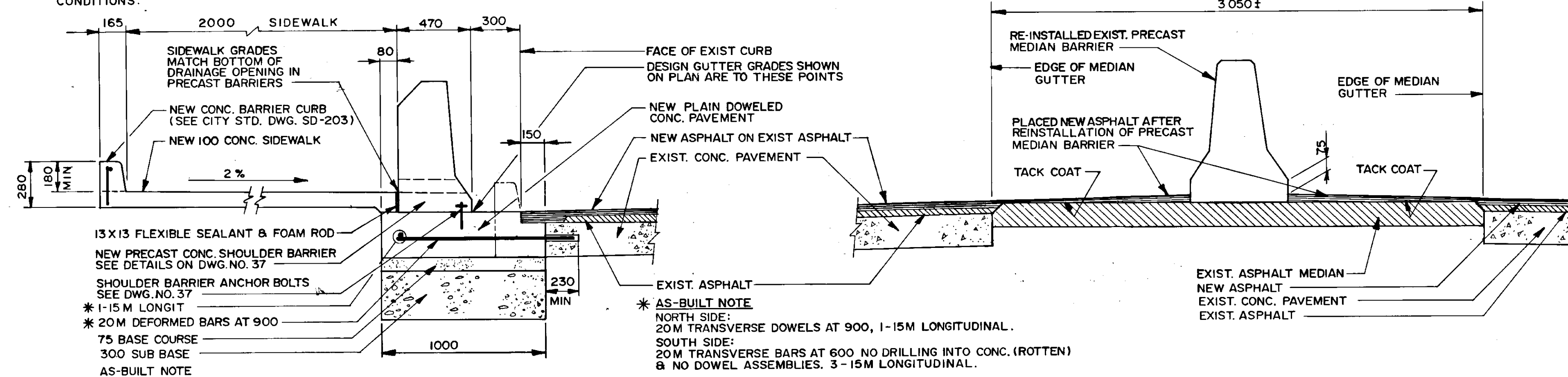
**NEW CONCRETE PAVEMENT TIE-IN SECTION**  
1:12.5



**BALANCED ALUMINUM BARRIER**

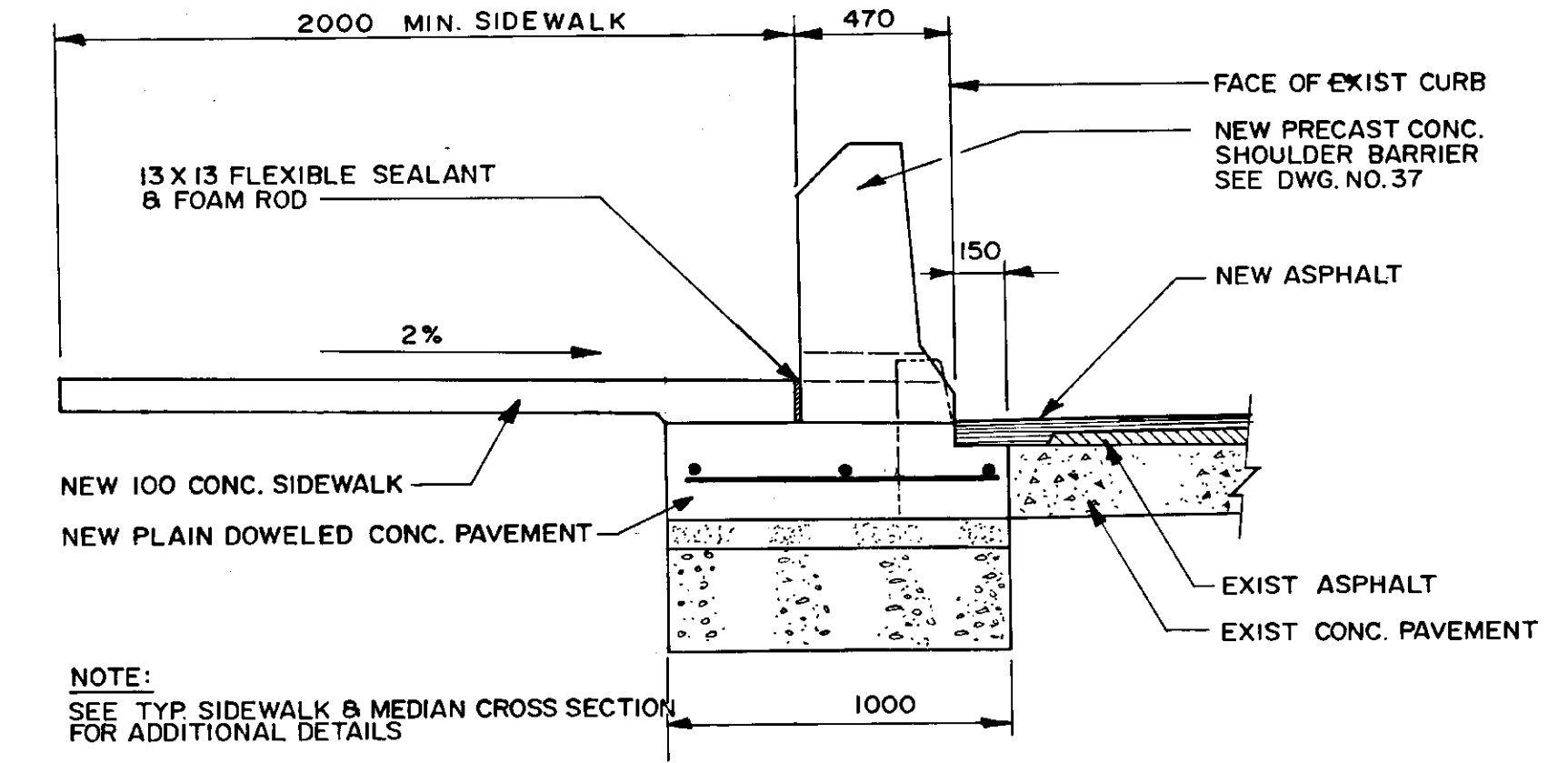
BILL OF MATERIAL	
ITEM	QUANTITY
1/2" x 13 x 25 STAINLESS STEEL HEX. HEAD CAP SCREW	44
27 O.D. x 14 I.D. x 2 THICK STAINLESS STEEL WASHER	44
RAIL CLAMP BAR	22
BARRIER POST 1600mm	5
BARRIER RAIL 800mm	1
RAIL END CAPS	2
BARRIER RAIL 11 430mm	1
BARRIER RAIL 8 700mm	1

**NOTE**  
CURB HEIGHT MAY BE INCREASED AS DIRECTED BY THE CONTRACT ADMINISTRATOR TO SUIT FIELD CONDITIONS.

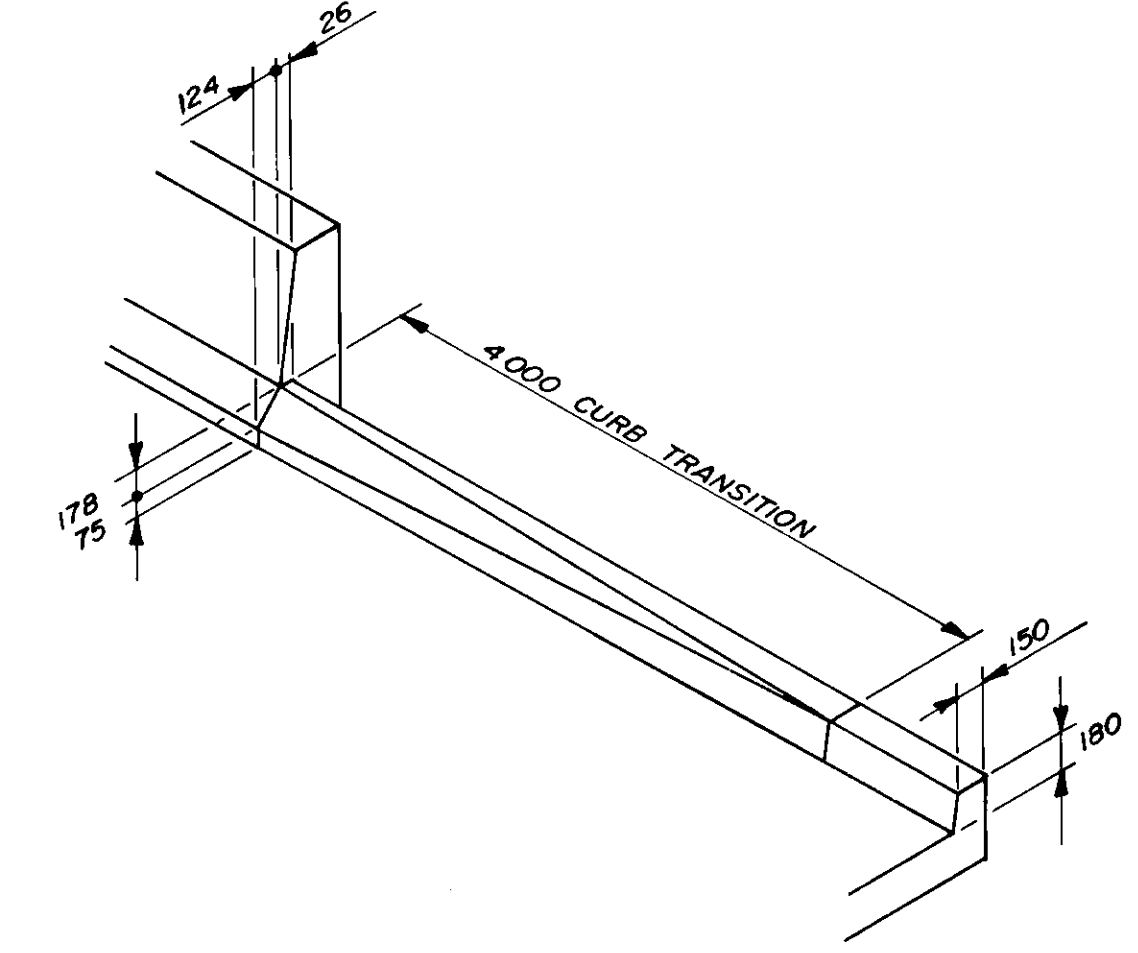


**TYPICAL SIDEWALK & MEDIAN CROSS SECTION**  
1:20

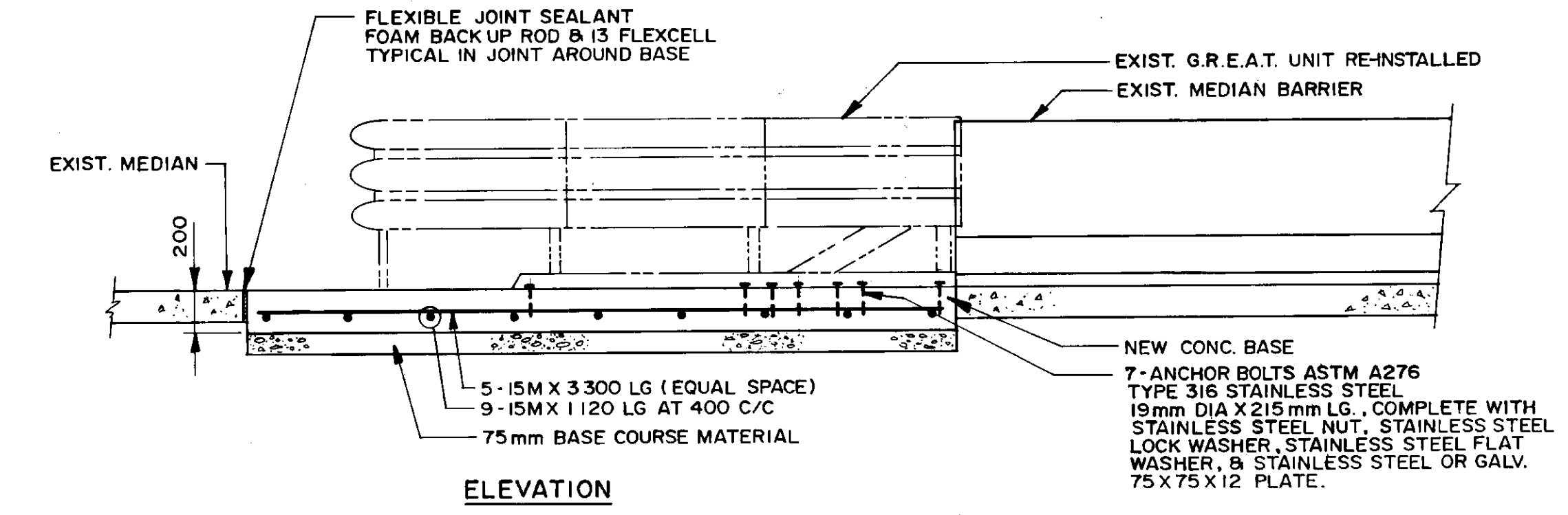
**BALANCED ALUMINUM BARRIER LAYOUT**  
1:100



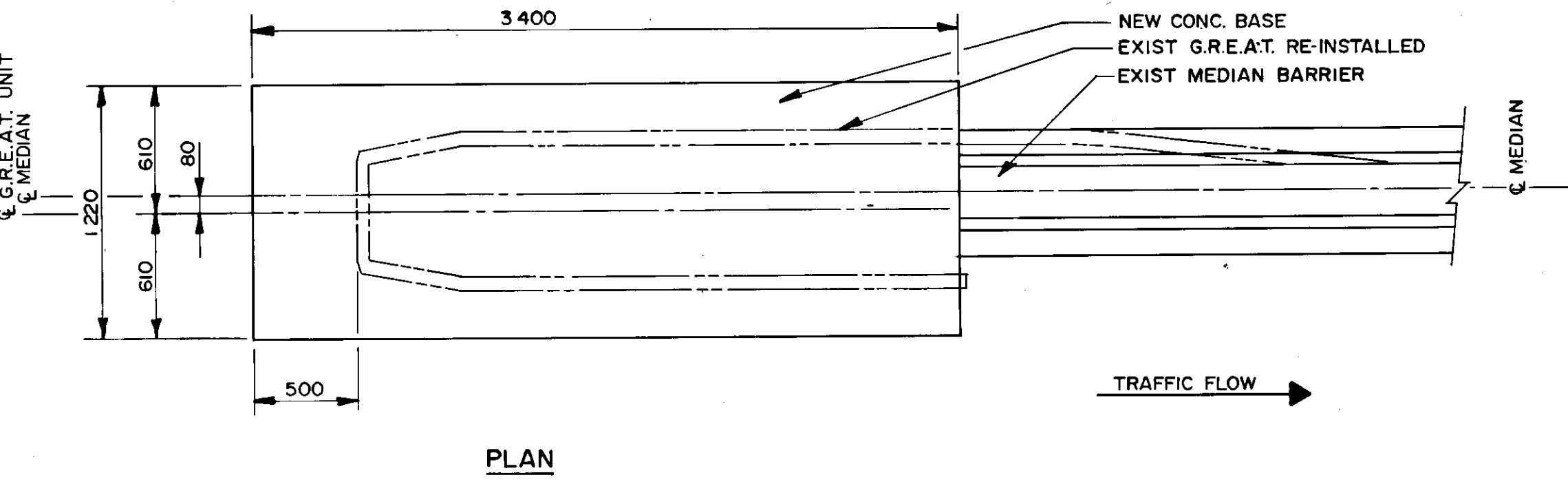
**SIDEWALK & SHOULDER BARRIER CROSS SECTION**  
(TYPICAL FOR TURNING LANE PORTAGE AVE. WEST BOUND TO EMPRESS ST. NORTH BOUND SEE DWG. NO. 30 & 31)  
1:20



**CURB TRANSITION DETAIL AT CONCRETE TRAFFIC BARRIER**  
N.T.S.



**ELEVATION**



**PLAN**

**G.R.E.A.T. UNIT CONCRETE BASE DETAIL**  
1:25



**RECORD DRAWING**  
APPROVED BY: *[Signature]* DATE: 02/20/96

B.M. ELEV. NO. REVISIONS DATE BY	<b>DILLON</b> Consulting Engineers • Planners Environmental Scientists		ENGINEER PROVINCE OF MANITOBA S.S. RIHA 92/2154 B. SACHER 92/2154 REGISTERED PROFESSIONAL ENGINEER	THE CITY OF WINNIPEG WORKS AND OPERATIONS DIVISION STREETS AND TRANSPORTATION DEPARTMENT PORTAGE AVE. CULVERT & UNDERPASS OMAND'S CREEK CULVERT REHABILITATION, UNDERPASS, ROADWAY RESURFACING AND RELATED WORKS	CITY DRAWING NUMBER U200-95-36 SHEET OF		
	DESIGNED BY	B.W.S.				CHECKED BY	S.S.R./B.W.S.
	DRAWN BY	D.M.W.				APPROVED BY	<i>[Signature]</i>
	HOR. SCALE: AS SHOWN					DATE	02/10/96
DATE SEPT 94		CONSULTANT DRAWING NO. 92-3813-02-36		PORTAGE AVE. ROADWORKS DETAILS	B-5983-36		