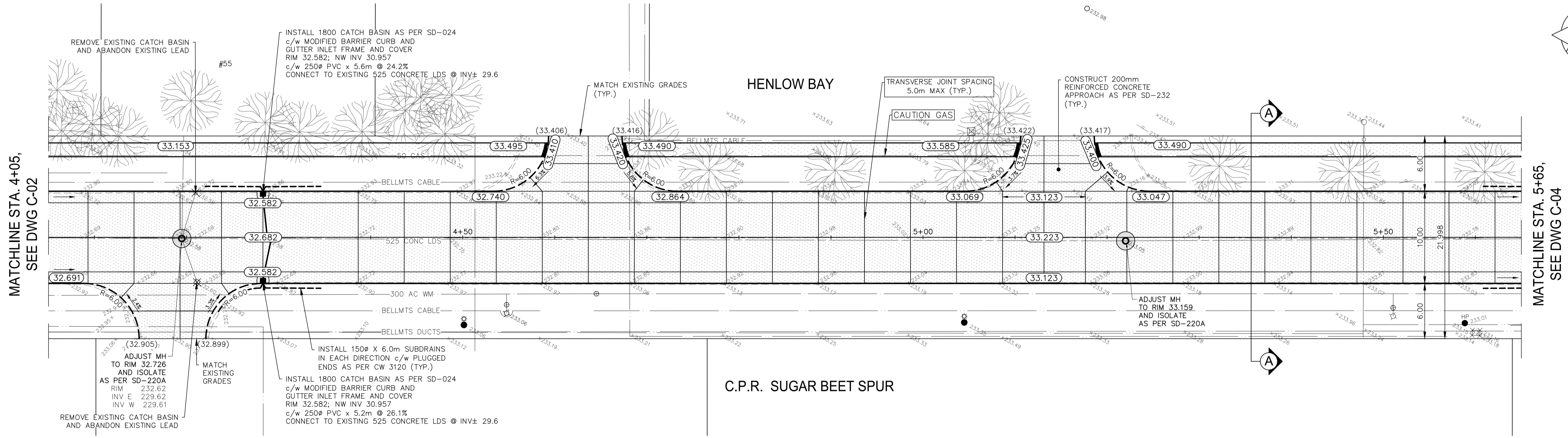
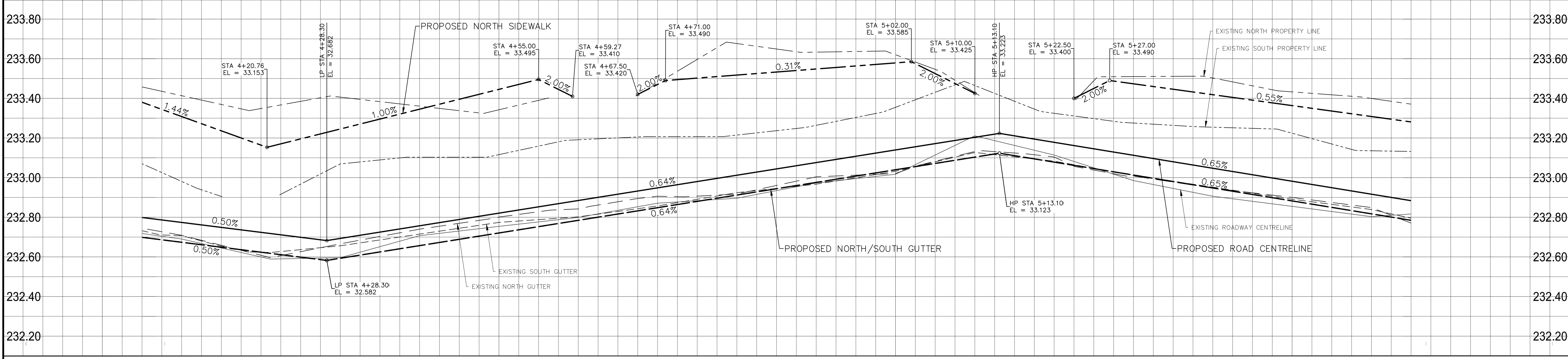
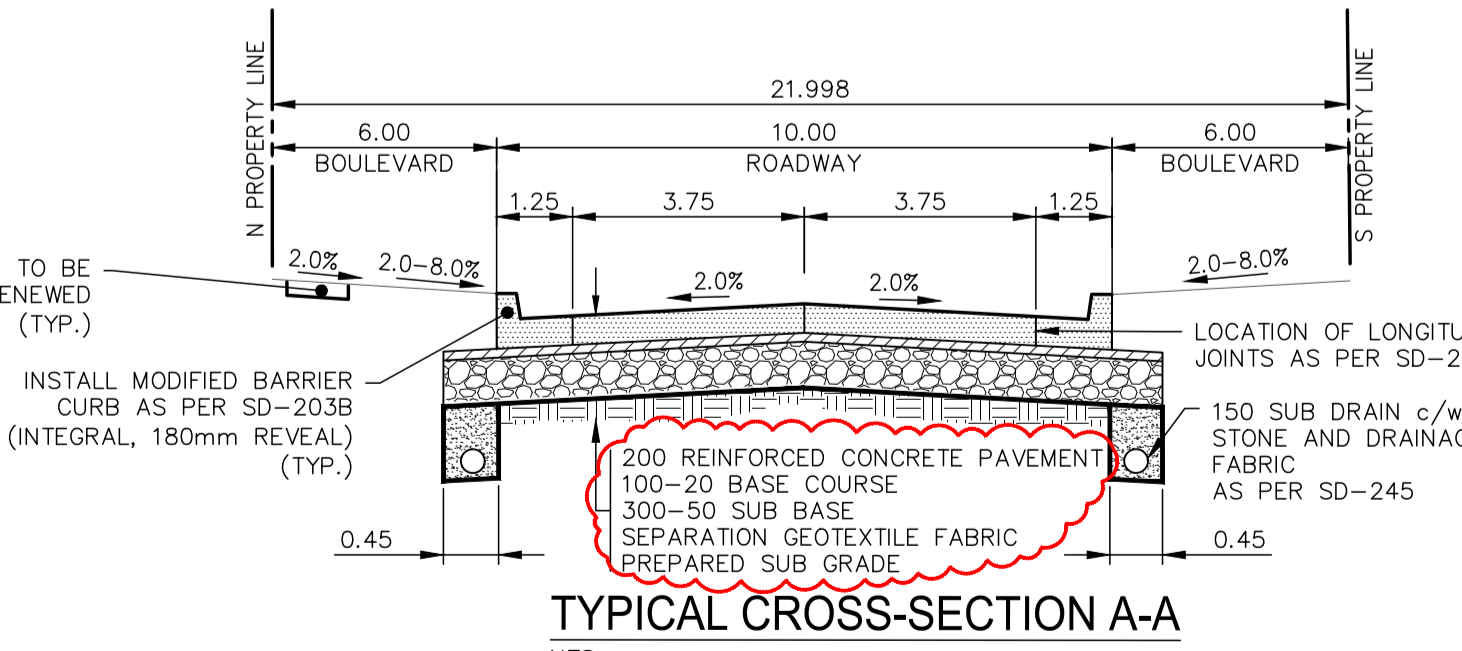


Date & Time Plotted: Jun/19/2018 at 1:29 pm - Plotted By: banucijas
 File & Path: P:\2017\17M-01932-00 - 2018 Industrial Streets\11 WSP Dwg\17M-01932-00 C01-C05 Contract 2 Henlow Bay Plan and Profile.dwg-Current Layout Tab = 17M-01932-00-C03



EXISTING	LEGEND-PLAN	PROPOSED	EXISTING	LEGEND-PLAN	PROPOSED	EXISTING	LEGEND-PROFILE	PROPOSED
---	WATER MAIN	---	---	IRON BAR	---	---	---	---
---	LAND DRAINAGE SEWER	---	---	HYDRO POLE & LIGHT STANDARD	---	---	---	---
---	WASTE WATER SEWER	---	---	LIGHT STANDARD OR TRAFFIC SIGNAL	---	---	---	---
---	HYDRO	---	---	HYDRO POLE	---	---	---	---
---	M.T.S.	---	---	CURB RAMP	---	---	---	---
---	GAS	---	---	DETECTABLE WARNING SURFACE TILE	---	---	---	---
---	SIGNALS	---	---	EDGE OF SIDEWALK	---	---	---	---
○	MANHOLE	○	---	FENCE	---	---	---	---
□	CATCH BASIN	□	---	PROPERTY LINE	---	---	---	---
△	CURB INLET	△	---	EDGE OF ASPHALT	---	---	---	---
△ □ ○	UTILITIES ADJUSTED	△ □ ○	---	EDGE OF CONCRETE	---	---	---	---
⌋	PLUG	⌋	---	MODIFIED BARRIER CURB	---	---	---	---
◇	HYDRANT	◇	---	BARRIER CURB	---	---	---	---
⊗	VALVE	⊗	---	BARRIER CURB AND GUTTER	---	---	---	---
⌋	CURB STOP	⌋	---	CONC SIDEWALK	---	---	---	---
230.99	GROUND GRADE	---	---	CONCRETE SLAB	---	---	---	---
(31.000)	PAVEMENT GRADE	(31.000)	---	ASPHALT	---	---	---	---
→	ANCHOR	→	---	MILLED SURFACE	---	---	---	---
#111	CIVIC ADDRESS	---	---	ASPHALT JOINT REPAIR	---	---	---	---
---	EXISTING	---	---	---	---	---	---	---



- NOTES:
- ALL WORK AND MATERIALS TO BE IN ACCORDANCE WITH THE LATEST REVISION OF THE CITY OF WINNIPEG STANDARD CONSTRUCTION SPECIFICATIONS.
 - CONTRACTOR TO CONFIRM THE LOCATION OF ALL UTILITIES/SERVICES IN THE FIELD PRIOR TO CONSTRUCTION.
 - ALL ROADWAY DIMENSIONS SHOWN ARE TO BACK OF CURB.
 - ADD 200.00 TO ABBREVIATED ELEVATIONS TO OBTAIN GEODETIC ELEVATION.
 - PAVEMENT REPAIRS SHOWN ARE ONLY A REPRESENTATIVE APPROXIMATION OF THE TENDERED QUANTITIES.
 - RENEW CURB AND SIDEWALK AS IDENTIFIED BY CONTRACT ADMINISTRATOR.
 - ALL PRIVATE WALKWAYS TO BE ADJUSTED TO NEW SIDEWALK OR TOP OF CURB ELEVATION, AS REQUIRED.
 - MODIFIED BARRIER CURB TO BE CONSTRUCTED AT ALL INTERSECTION RADII AND BACK LANE RADII
 - CONTRACTORS TO TAKE PRECAUTIONARY STEPS TO PROTECT EXISTING TREES WITHIN THE LIMITS OF CONSTRUCTION FROM DAMAGE FROM CONSTRUCTION ACTIVITIES AS OUTLINED IN THE SPECIFICATIONS.
 - LAMP STANDARDS, HYDRO POLES, AND ANCHORS THAT REQUIRE TEMPORARY SUPPORT, REMOVAL OR REPLACEMENT, TO BE DONE SO AT THE EXPENSE OF THE CONTRACTOR AS NECESSARY.
 - ALL BOULEVARDS TO BE SODDED UNLESS OTHERWISE NOTED.
 - TRAFFIC SERVICES TO PAINT TRAFFIC LINES AND BICYCLE LANE MARKINGS (IF REQ'D).
 - CONTRACTOR TO CONFIRM LOCATION AND LIMITS OF SEWER REPAIRS BY PERFORMING VIDEO INSPECTION AND REVIEWING WITH CONTRACT ADMINISTRATOR PRIOR TO CONSTRUCTION (IF REQ'D).
 - ADJUST ALL WATER VALVES, HYDRANTS, MANHOLES, AND CATCH BASINS IN WORK AREA TO GRADE.

LOCATIONS APPROVED UNDERGROUND STRUCTURES

SIGNED BY: _____ DATE: _____

LOCATION OF UNDERGROUND STRUCTURES AS SHOWN ARE BASED ON THE BEST INFORMATION AVAILABLE BUT NO GUARANTEE IS GIVEN THAT ALL EXISTING UTILITIES ARE SHOWN OR THAT THE GIVEN LOCATIONS ARE EXACT CONFIRMATION OF EXISTENCE AND EXACT LOCATION OF ALL SERVICES MUST BE OBTAINED FROM THE INDIVIDUAL UTILITIES BEFORE PROCEEDING

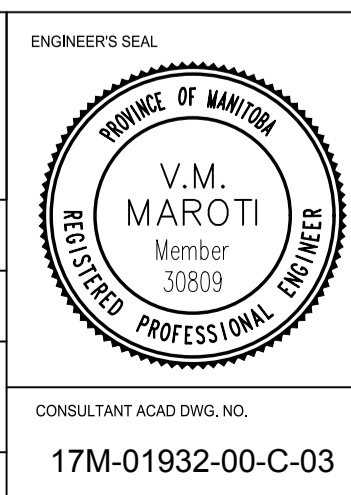
NO.	REVISIONS	DATE	BY
H	-	-	-
G	-	-	-
F	-	-	-
E	-	-	-
D	-	-	-
C	-	-	-
B	ISSUED FOR ADDENDUM 3	2018-06-19	DS
A	ISSUED FOR CLIENT REVIEW	2017-02-09	JP

WSP Canada Group Limited
 Suite 111 - 93 Lombard Ave
 Winnipeg, MB R3B 3B1
 T. 204.943.3178
 F. 204.943.4948
 www.wsp.com

DESIGNED BY: JP
 CHECKED BY: TP
 DRAWN BY: SB
 APPROVED BY: VM

HOR. SCALE: 1:250
 VERTICAL: 1:25

RELEASED FOR CONSTRUCTION: _____ DATE: 2018-01-06

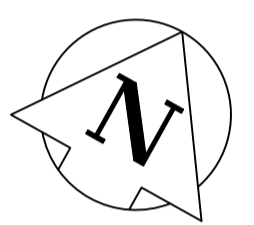


THE CITY OF WINNIPEG
 PUBLIC WORKS DEPARTMENT
 ENGINEERING SERVICES DIVISION

2018/2019 INDUSTRIAL STREETS
 RENEWAL PROGRAM
 HENLOW BAY - FULTZ BLVD TO SCURFIELD BLVD
 PAVEMENT RECONSTRUCTION
 STA. 4+05 TO STA. 5+65

CITY DRAWING NUMBER: ---
 SHEET: 03 OF 12
 BID NO.: 85-2018

CONSULTANT ACAD DWG. NO.: 17M-01932-00-C-03



MATCHLINE STA. 5+65, SEE DWG C-04

METRIC
 WHOLE NUMBERS INDICATE MILLIMETRES
 DECIMALIZED NUMBERS INDICATE METRES

ENGINEERS
 GEOSCIENTIST
 MANITOBA
 Certificate of Authorization
 WSP Canada Group Limited
 No. 6657