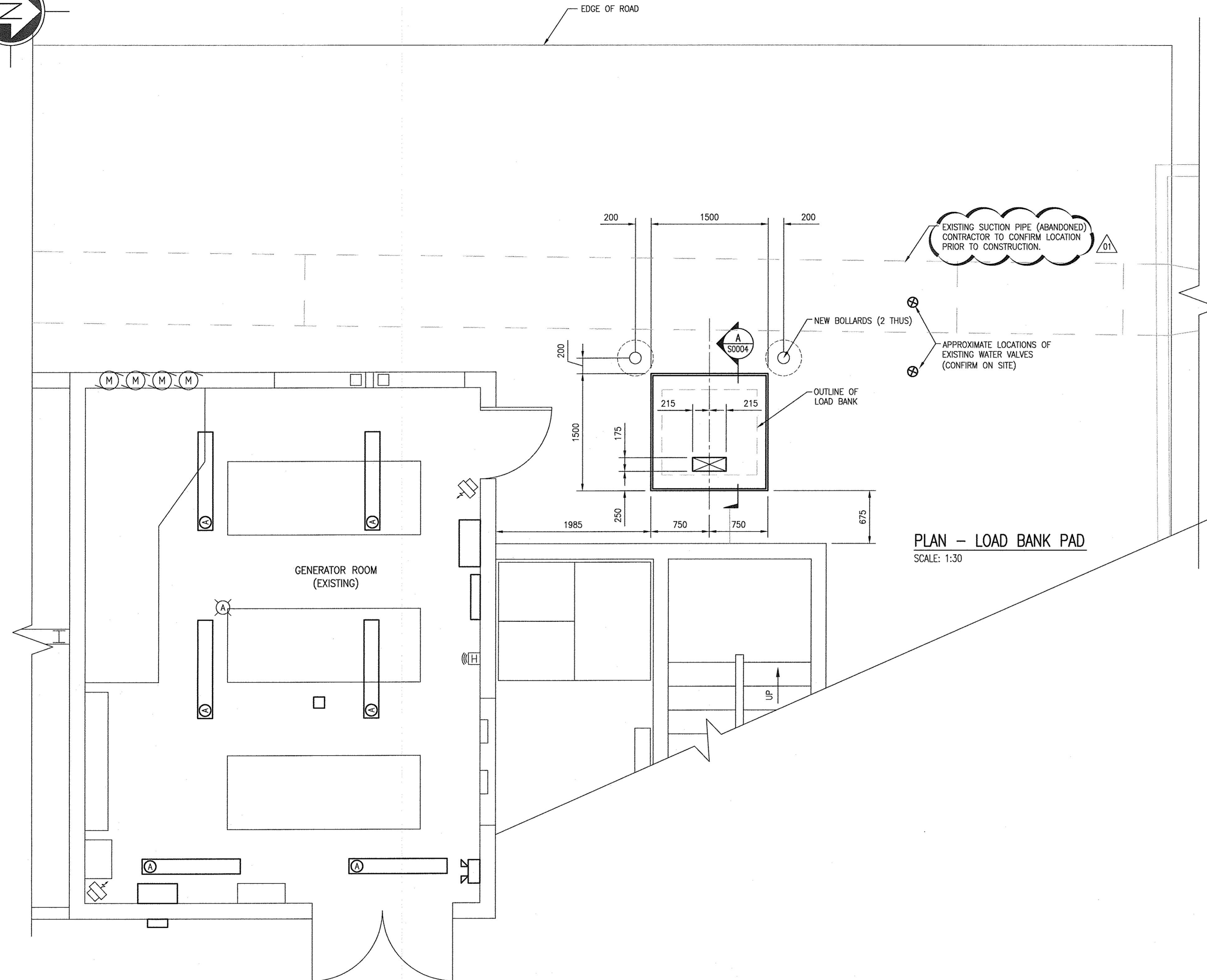
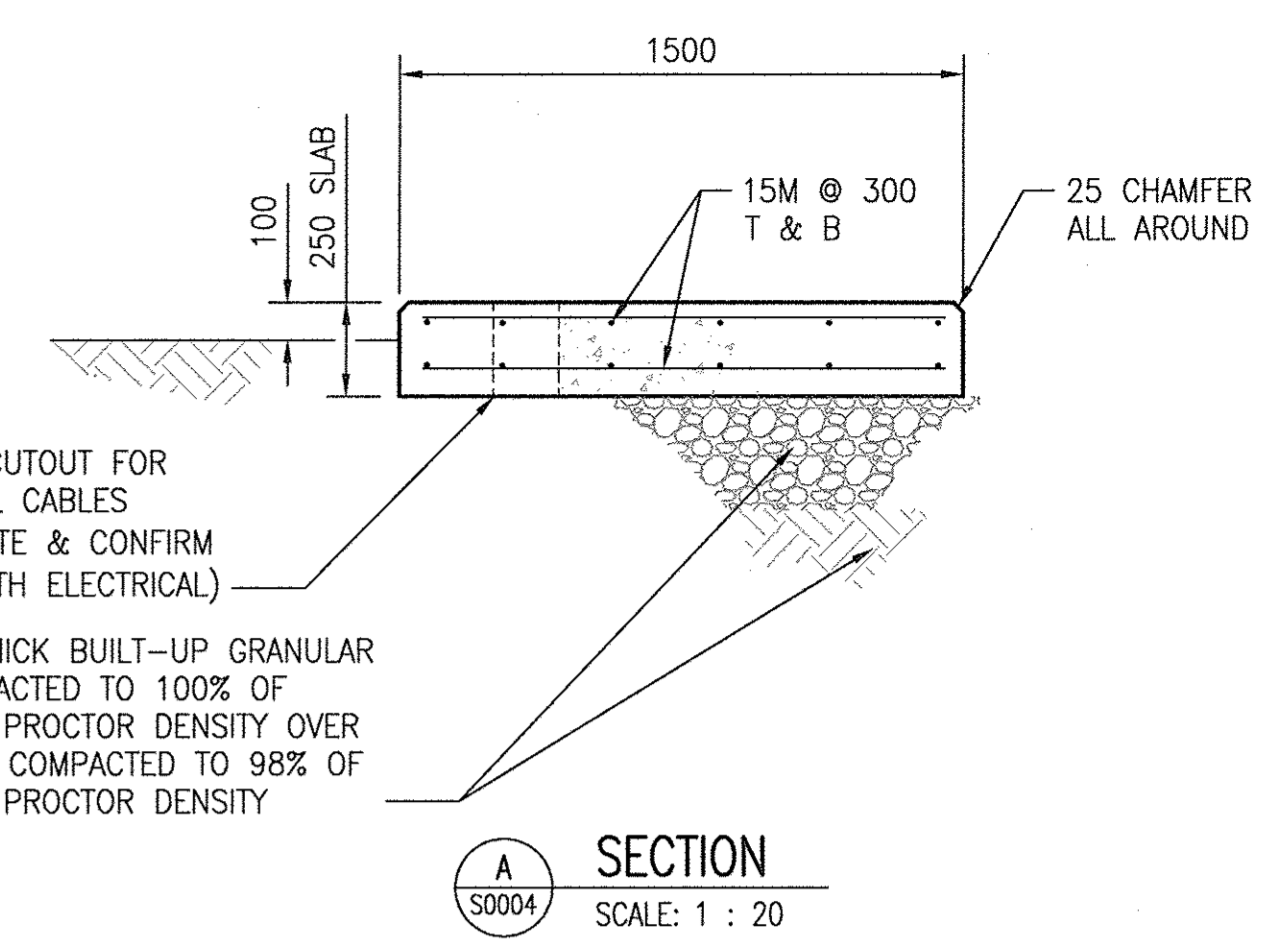


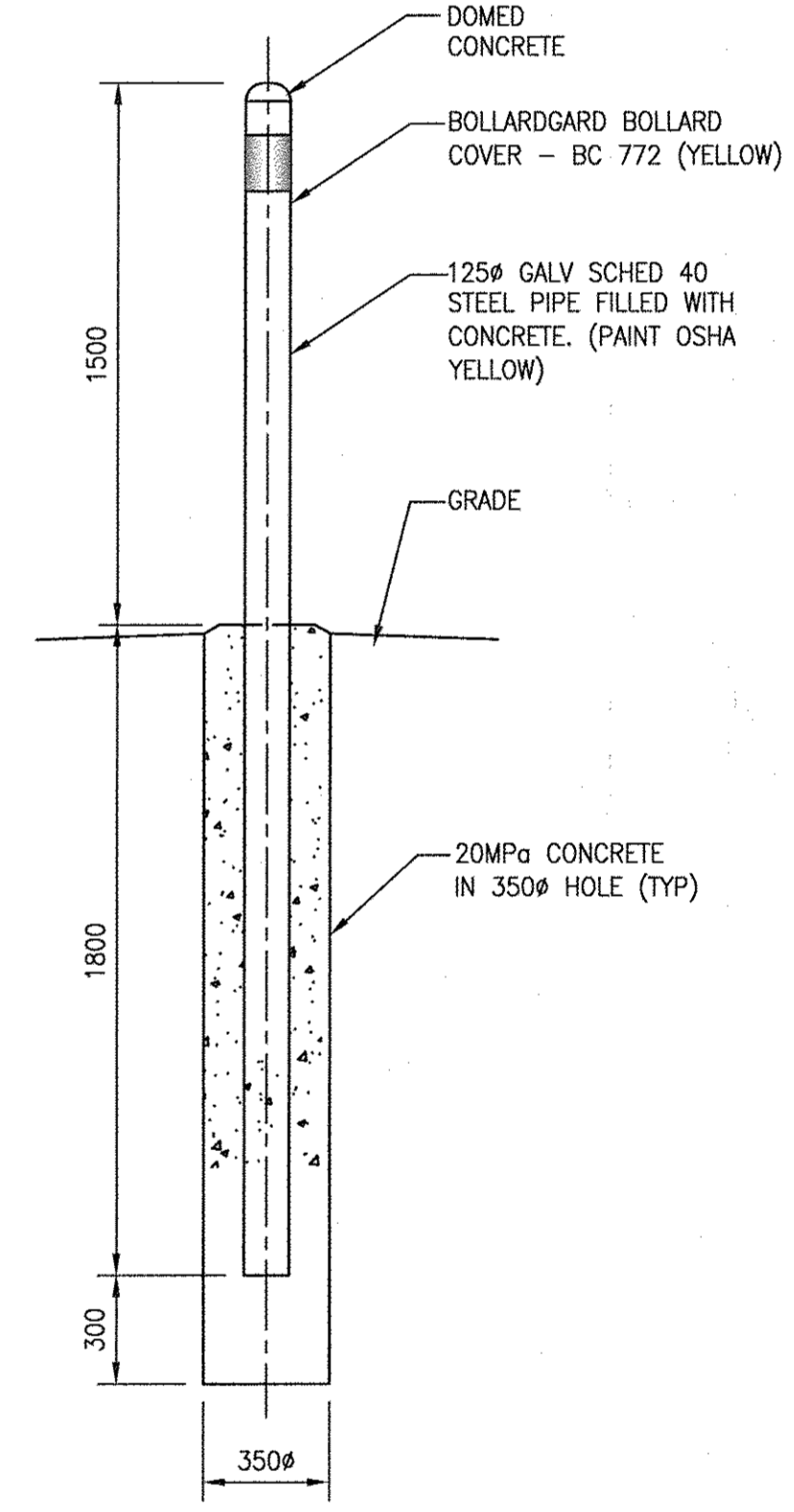
EDGE OF ROAD



PLAN - LOAD BANK PAD
SCALE: 1:30



SECTION A
S0004
SCALE: 1 : 20



TYPICAL BOLLARD DETAIL
SCALE: 1 : 20

LAST SWE: 2020/01/13 - 9:27am
PATH: M:\661472\ENGR\4251R\DD - General\DWG\01 McPhillips\1-0640A-S0004-001.dwg

1-0640B-E0008-001	ELECTRICAL EQUIPMENT PLAN
1-0640A-F0001-0001	SITE PLAN
DRAWING NUMBER	REFERENCE DRAWINGS

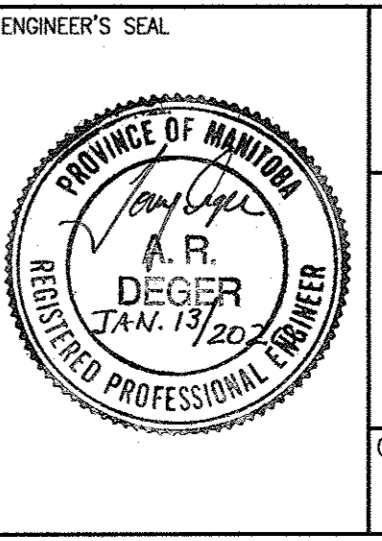


NO.	REVISIONS	DATE	DESIGN	CHECK
01	REVISED NOTE	2020/01/13	TD	TD
00	ISSUED FOR TENDER AND CONSTRUCTION	2019/11/04	TD	TD

SNC-LAVALIN INC.
148 Noture Park Way
Winnipeg, MB, Canada R3P 0X7
204-786-8080

DESIGNED BY: T. DEGER
CHECKED BY: T. DEGER
DRAWN BY: K. McINTOSH
APPROVED BY: D. BECKER
SCALE: AS NOTED
ISSUED FOR CONSTRUCTION BY: A. WEISS
DATE: 2019/07/02
DATE: 2019/11/04

CONSULTANT NO.:



THE CITY OF WINNIPEG
WATER AND WASTE DEPARTMENT

MCPHILLIPS PUMPING STATION
COLLECTION BUILDING
STRUCTURAL
LDB-G767 LOAD BANK
PLAN AND DETAILS

CITY DRAWING NUMBER: 1-0640A-S0004
SHEET: 001
REV: 01
SIZE: A1