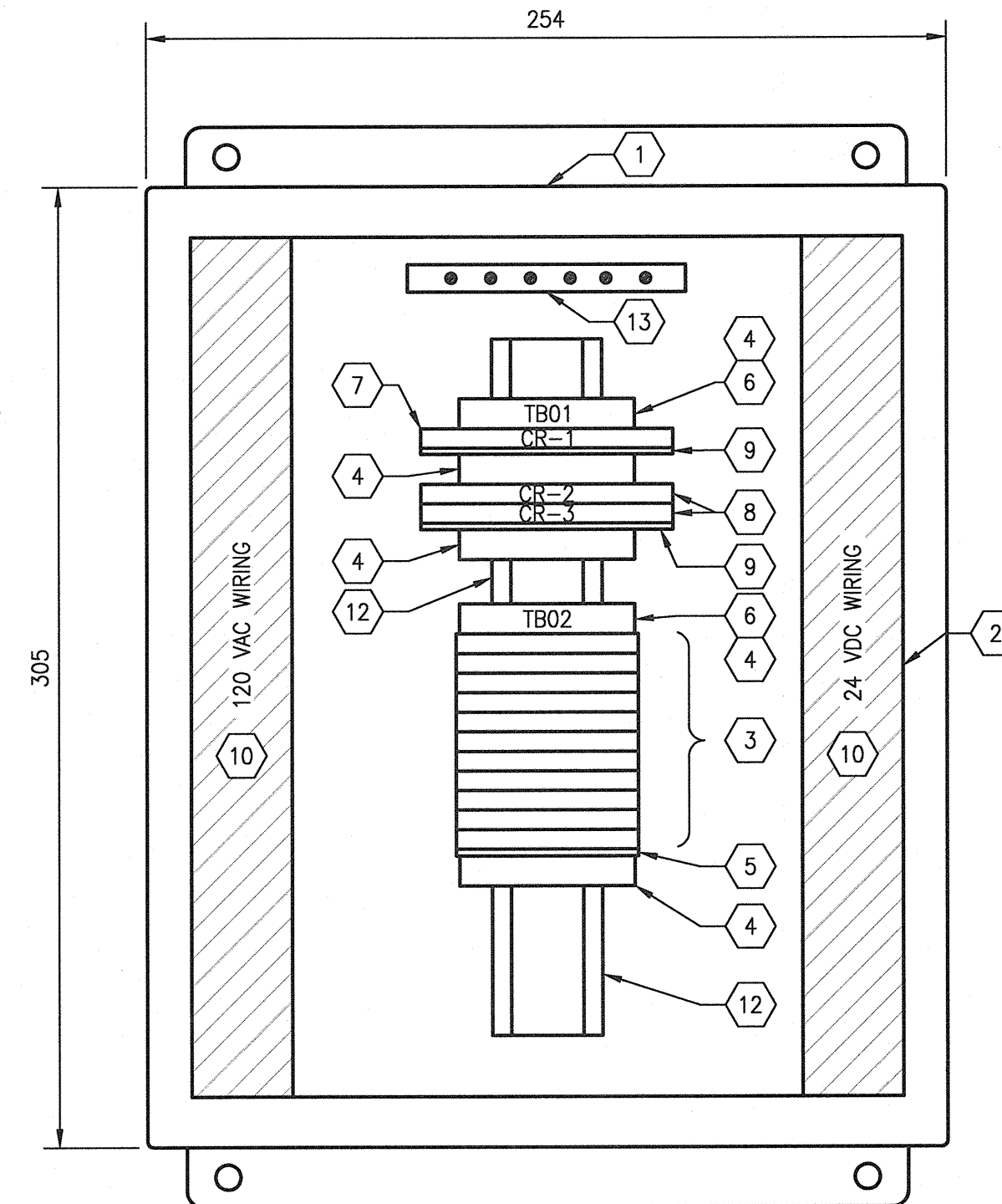


JBA-M6144 EXTERIOR VIEW
SCALE: 1 : 2



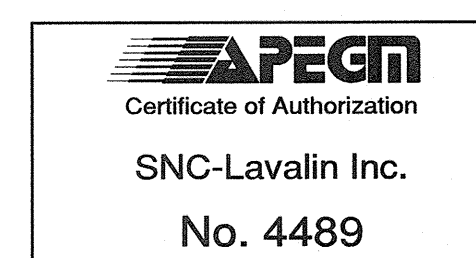
JBA-M6144 INTERIOR VIEW
SCALE: 1 : 2

BILL OF MATERIAL				
ITEM	QTY	DESCRIPTION	MANUFACTURER	CATALOG NUMBER
1	1	NEMA 12 ENCL. WALL MOUNT - 305X254X127mm	HOFFMAN	A1210CH
2	1	PANEL FOR ITEM 1	HOFFMAN	A12P10
3	AS REQ'D	FEED THROUGH TERMINAL - UT 4-MTD	PHOENIX CONTACT	3046184
4	AS REQ'D	TERMINAL END CLAMP - CLIPFIX 35	PHOENIX CONTACT	3022218
5	AS REQ'D	TERMINAL END PLATE - D-UT 2,5/4 TWIN	PHOENIX CONTACT	3047141
6	AS REQ'D	TERMINAL BLOCK MARKER - KLM-A	PHOENIX CONTACT	1004348
7	1	PLC RELAY MODULE 24VDC	PHOENIX CONTACT	2966171
8	2	PLC RELAY MODULE 120VAC	PHOENIX CONTACT	2966281
9	AS REQ'D	SEPARATING PLATE - 2X80X94mm	PHOENIX CONTACT	2966841
10	AS REQ'D	NARROW SLOT WIRING DUCT AND COVER, 1.26"x2.12"	PANDUIT	F1X2LG6
11	AS REQ'D	LAMACOIDS	-	-
12	AS REQ'D	35mm DIN RAIL	PHOENIX CONTACT	0801733
13	1	GROUND BAR, 6 TAPS,	ILSCO	0167-6

GENERAL NOTES:

1. ALL POWER AND 120VAC WIRING TO BE TEW/MTW 300V, 105°C INSULATION, STRANDED COPPER, 12 AWG OR LARGER WHERE CURRENT REQUIREMENTS DICTATE AS PER CEC REQUIREMENTS.
2. ALL 24 VDC CONTROL WIRING TO BE TEW/MTW 300V, 105°C INSULATION, STRANDED COPPER, 16 AWG.
3. COMPONENTS ARE TO BE LABELED AS SHOWN ON THE DRAWINGS.
4. TEST ALL WIRING AND COMPONENTS FOR FUNCTIONAL OPERATION, CORRECT CONNECTION, CONTINUITY AND INSULATION INTEGRITY. DOCUMENT ALL TEST RESULTS.
5. ALL MAJOR COMPONENTS INSIDE THE PANEL ARE TO BE LABELED WITH LAMACOIDS IN ACCORDANCE WITH MAJOR DESCRIPTIONS ON THE DRAWINGS.
6. PROVIDE WIRE BARREL FERRULES FOR ALL WIRING.
7. ALL TERMINAL BLOCKS SHALL BE NUMBERED AS SHOWN IN THE DRAWINGS, COMPLETE WITH GROUP LABELING.
8. ALL WIRES SHALL BE MARKED AS INDICATED ON THE DRAWINGS.

1-0640M-A0062	LOOP DIAGRAM, XV-6144 OUTDOOR INTAKE AIR DAMPER
DRAWING NUMBER	REFERENCE DRAWINGS



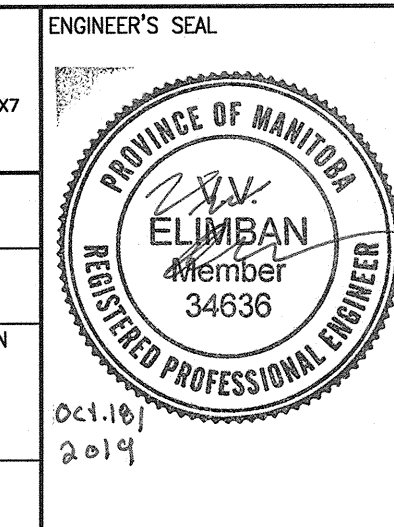
NO.	REVISIONS	DATE	DESIGN	CHECK
00	ISSUED FOR TENDER AND CONSTRUCTION	2019/10/18	VE	BC

SNC-LAVALIN INC.
148 Necture Park Way
Winnipeg, MB, Canada R3P 0X7
204-786-8080

DESIGNED BY: S. BOGHOSIAN
DRAWN BY: C. DUBON
SCALE: 1:2
DATE: 2019/06/06

CHECKED BY: B. CLEVEN
APPROVED BY: D. BECKER
ISSUED FOR CONSTRUCTION
BY: A. WEISS
DATE: 2019/10/18

CONSULTANT NO.:



THE CITY OF WINNIPEG
WATER AND WASTE DEPARTMENT

MCPHILLIPS PUMPING STATION
JUNCTION BOX LAYOUT
JBA-M6144

CITY DRAWING NUMBER: 1-0640M-A0038
SHEET: 001
REV: 00
SIZE: A1