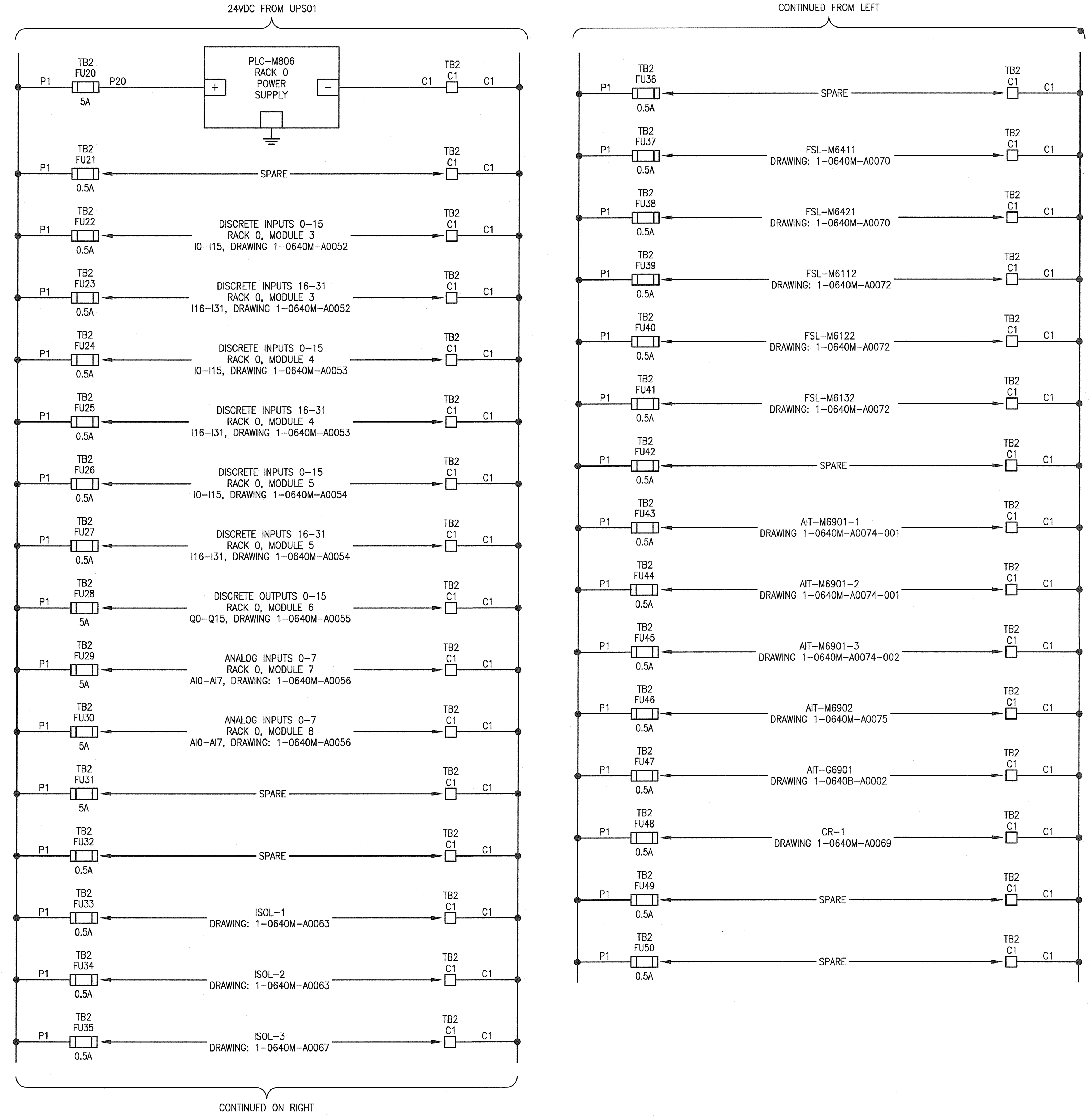
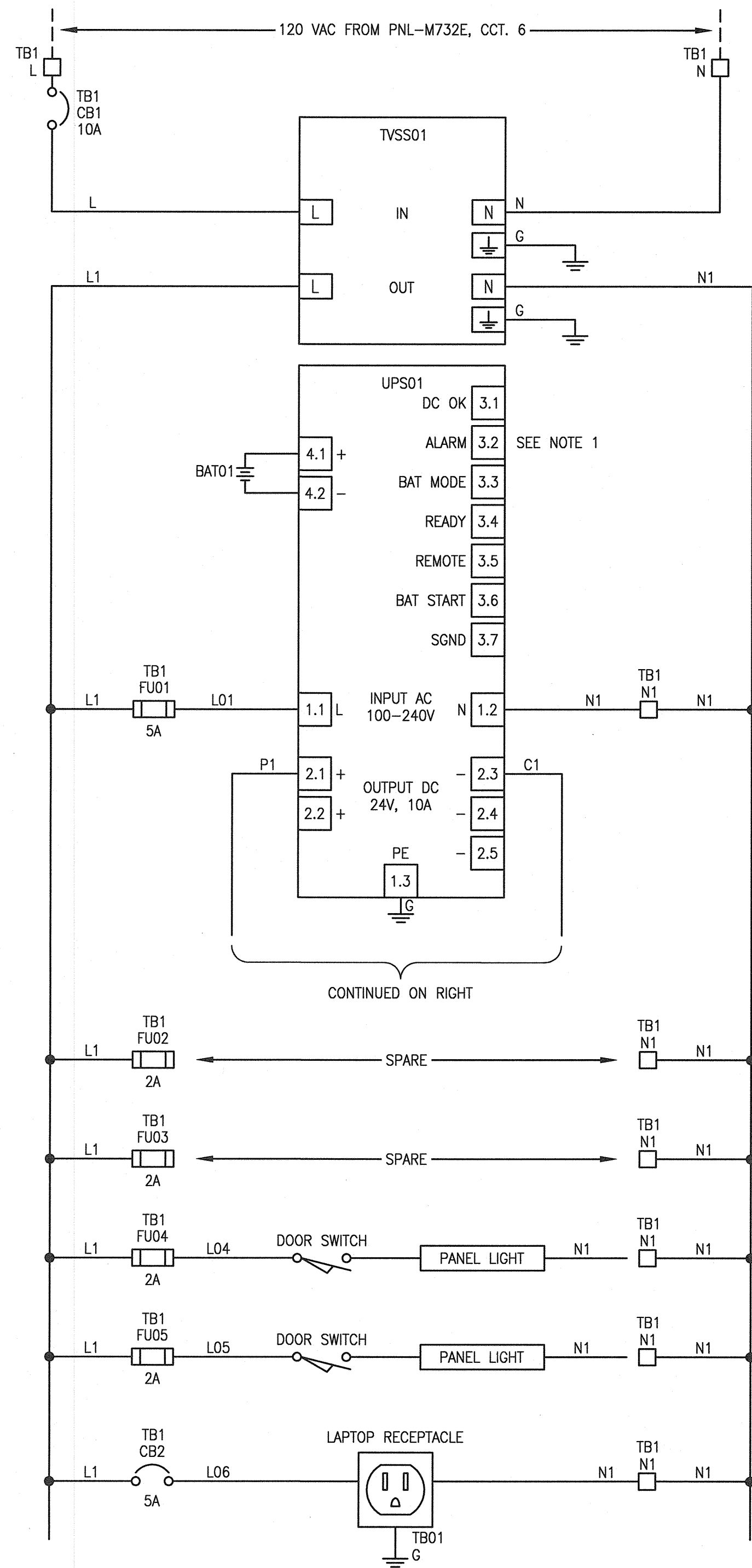


FUSE SCHEDULE			
TB	IDENTIFIER	SIZE	RATED CURRENT (A)
TB1	FU01	5x20mm	5A TD
	FU02	5x20mm	2A FA
	FU03	5x20mm	2A FA
	FU04	5x20mm	2A FA
	FU05	5x20mm	2A FA
TB2	FU20	5x20mm	5A TD
	FU21	5x20mm	0.5 FA
	FU22	5x20mm	0.5 FA
	FU23	5x20mm	0.5 FA
	FU24	5x20mm	0.5 FA
	FU25	5x20mm	0.5 FA
	FU26	5x20mm	0.5 FA
	FU27	5x20mm	0.5 FA
	FU28	5x20mm	5 FA
	FU29	5x20mm	5 FA
	FU30	5x20mm	5 FA
	FU31	5x20mm	5 FA
	FU32	5x20mm	0.5 FA
	FU33	5x20mm	0.5 FA
	FU34	5x20mm	0.5 FA
	FU35	5x20mm	0.5 FA
	FU36	5x20mm	0.5 FA
	FU37	5x20mm	0.5 FA
	FU38	5x20mm	0.5 FA
	FU39	5x20mm	0.5 FA
	FU40	5x20mm	0.5 FA
	FU41	5x20mm	0.5 FA
	FU42	5x20mm	0.5 FA
	FU43	5x20mm	0.5 FA
	FU44	5x20mm	0.5 FA
FU45	5x20mm	0.5 FA	
FU46	5x20mm	0.5 FA	
FU47	5x20mm	0.5 FA	
FU48	5x20mm	0.5 FA	
FU49	5x20mm	0.5 FA	
FU50	5x20mm	0.5 FA	

NOTE:  
TD = TIME DELAY  
FA = FAST ACTING

POWER CONSUMPTION SCHEDULE AT 24VDC			
DEVICE	QTY	AMPS (mA)	SUBTOTAL (mA)
PLC-M806	1	1650	1650
DISCRETE INPUTS	96	2.5	240
DISCRETE OUTPUTS	16	50	800
ANALOG INPUTS	16	20	320
MIT ISOLATOR/CONVERTER	3	108	324
FSL TD1	5	146	730
GAS DETECTORS	5	355	1775
<b>TOTAL (mA)</b>			<b>5839</b>

**SCHEMATIC:**



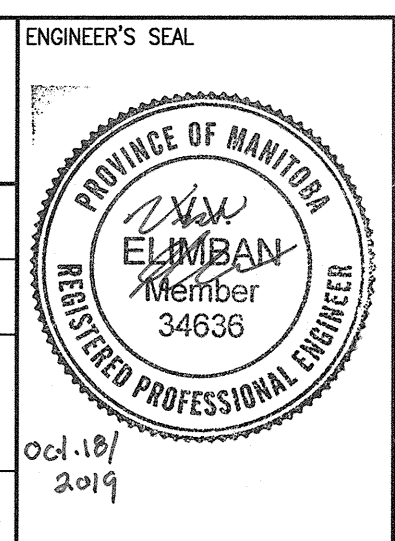
**NOTES:**

- SEE DWG. 1-0640M-A0073 FOR UPS01 ALARM LOOP DIAGRAM.



NO.	REVISIONS	DATE	DESIGN	CHECK
00	ISSUED FOR TENDER AND CONSTRUCTION	2019/10/18	VE	BC

DESIGNED BY: S. BOGHOSIAN	CHECKED BY: B. CLEVEN
DRAWN BY: C. DUBON	APPROVED BY: D. BECKER
SCALE: NTS	ISSUED FOR CONSTRUCTION BY: A. WEISS
DATE: 2019/05/30	DATE: 2019/10/18
CONSULTANT NO.:	



**THE CITY OF WINNIPEG**  
 WATER AND WASTE DEPARTMENT  
 MCPHILLIPS PUMPING STATION  
 POWER DISTRIBUTION  
 HVAC CONTROL PANEL CP-M826  
 CITY DRAWING NUMBER: 1-0640M-A0051  
 SHEET: 001  
 REV: 00  
 SIZE: A1

DRAWING NUMBER	REFERENCE DRAWINGS
1-0640M-E0042	PANELBOARD SCHEDULE
1-0640M-E0040	EQUIPMENT PLAN, MEZZANINE LEVEL
1-0640M-A0075	LOOP DIAGRAM, AIT-M6902
1-0640M-A0074	LOOP DIAGRAM, AIT-M6901-1,2,3
1-0640M-A0072	LOOP DIAGRAM, FSL-M6112, FSL-M6122, FSL-M6132
1-0640M-A0070	LOOP DIAGRAM, FSL-M6411 & FSL-M6421
1-0640M-A0069	LOOP DIAGRAM, TSL-M6043
1-0640M-A0067	LOOP DIAGRAM, FV-M6146
1-0640M-A0063	LOOP DIAGRAM, FV-M6145
1-0640B-A0002	METHANE, LEL DETECTION GENERATOR ROOM
1-0640M-A0050-56	PANEL LAYOUT, DIGITAL INPUTS/OUTPUTS & ANALOG INPUTS/OUTPUTS