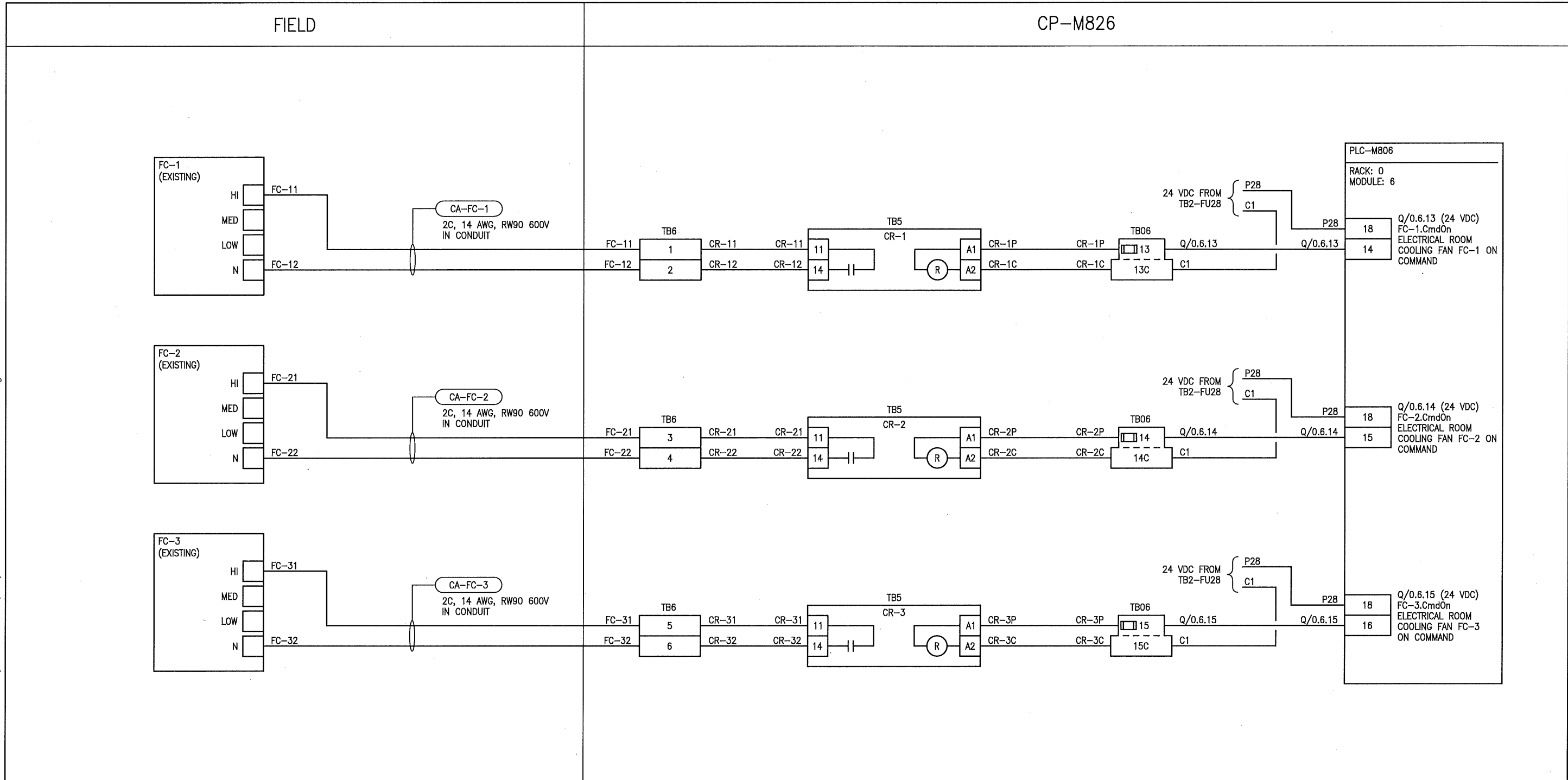


B SIZE - 279mm x 432mm

General DWG\01 McPhillips\1-0640M-A0061-001-00.dwg

LAST SAVE: 2019/10/30 - 9:46am  
 PATH: M:\661472\4ENG\48C\DD -



**NOTES**

- REMOVE SWITCH BOXES ASSOCIATED WITH FAN COILS IN ELECTRICAL ROOM AND CONNECT CONTROL WIRES AS SHOWN ON DRAWING.
- 120 VAC POWER FOR FAN COILS ARE FED FROM LP-B CCT. 29.
- CONTRACTOR TO VERIFY WIRING ON FIELD TO CONNECT DIGITAL OUTPUT SIGNALS TO FAN HIGH SPEED TERMINALS.
- FAN COILS FC-1,2,3 ARE EXISTING EQUIPMENT, CONTRACTOR TO REWIRE THE CONTROL.

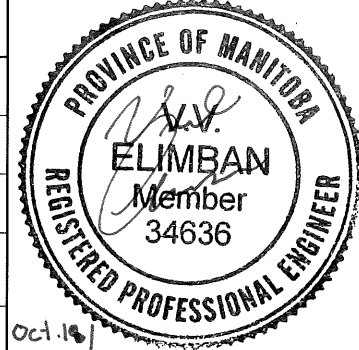
ASSOCIATED REFERENCE DRAWINGS:  
 1-0640M-A0055  
 1-0640M-E0039  
 1-0640M-P0015



**SNC-LAVALIN INC.**  
 148 Nature Park Way  
 Winnipeg, MB, Canada R3P 0X7  
 204-786-8080

DESIGNED BY: S. BOGHOSIAN  
 CHECKED BY: B. CLEVEN  
 DRAWN BY: C. DUBON  
 APPROVED BY: D. BECKER  
 SCALE: NTS  
 DATE: 2019/05/28  
 ISSUED FOR CONSTRUCTION  
 BY: A. WEISS  
 DATE: 2019/10/18  
 CONSULTANT NO.:

ENGINEER'S SEAL



MCPHILLIPS PUMPING STATION

LOOP DIAGRAM  
 FC-1, FC-2, FC-3  
 ELECTRICAL ROOM FAN COILS

NO.	REVISIONS	DATE	DESIGN	CHECK
00	ISSUED FOR TENDER AND CONSTRUCTION	2019/10/18	SB	BC

CITY DRAWING NUMBER	SHEET	REV.	SIZE
1-0640M-A0061	001	00	B

Oct 16 / 2019