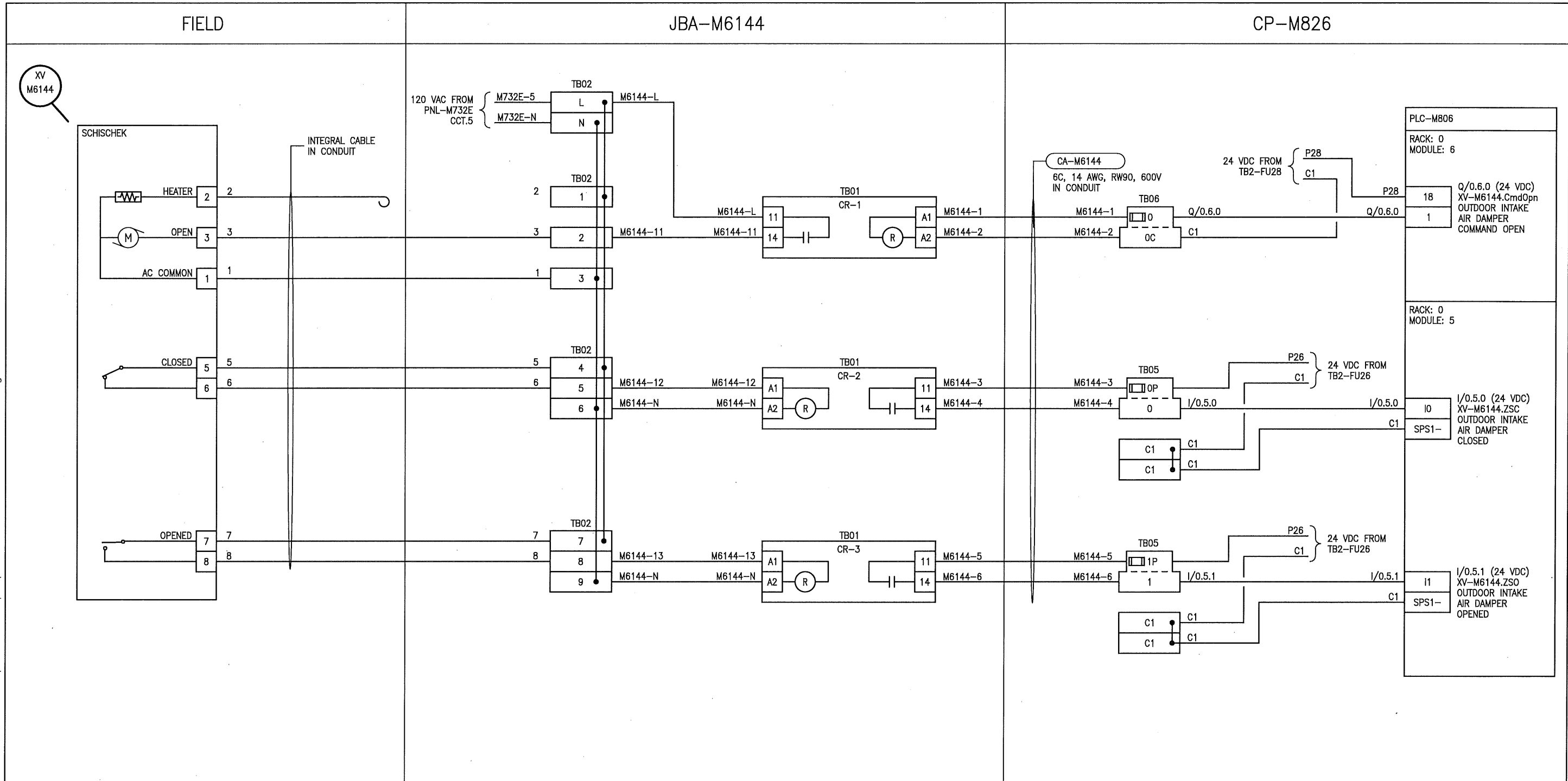


B SIZE - 279mm x 432mm

General DWG\01 McPhillips\1-0640M-A0062-001-00.dwg

LAST SAVE: 2019/10/30 - 9:46am
 PATH: M:\661472\4ENG\48IC\DD -

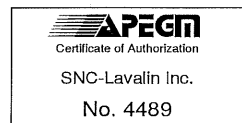


NOTES

1. SEE DWG. 1-0640M-A0038 FOR JBA-M6144 JUNCTION BOX LAYOUT

ASSOCIATED REFERENCE DRAWINGS:

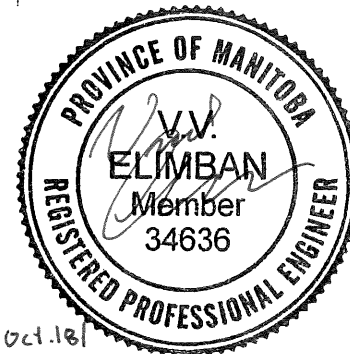
- 1-0640M-A0038
- 1-0640M-A0051
- 1-0640M-A0048
- 1-0640M-A0054
- 1-0640M-P0013



SNC-LAVALIN INC.
 148 Nature Park Way
 Winnipeg, MB, Canada R3P 0X7
 204-786-8080

DESIGNED BY: S. BOGHOSIAN	CHECKED BY: B. CLEVEN
DRAWN BY: C. DUBON	APPROVED BY: D. BECKER
SCALE: NTS	DATE: 2019/05/28
ISSUED FOR CONSTRUCTION	
BY: A. WEISS	DATE: 2019/10/18
CONSULTANT NO.:	

ENGINEER'S SEAL



THE CITY OF WINNIPEG
 WATER AND WASTE DEPARTMENT

MCPHILLIPS PUMPING STATION

LOOP DIAGRAM
 XV-M6144
 OUTDOOR INTAKE AIR DAMPER

NO.	REVISIONS	DATE	DESIGN	CHECK
00	ISSUED FOR TENDER AND CONSTRUCTION	2019/10/18	SB	BC

CITY DRAWING NUMBER 1-0640M-A0062	SHEET 001	REV. 00	SIZE B
---	---------------------	-------------------	------------------