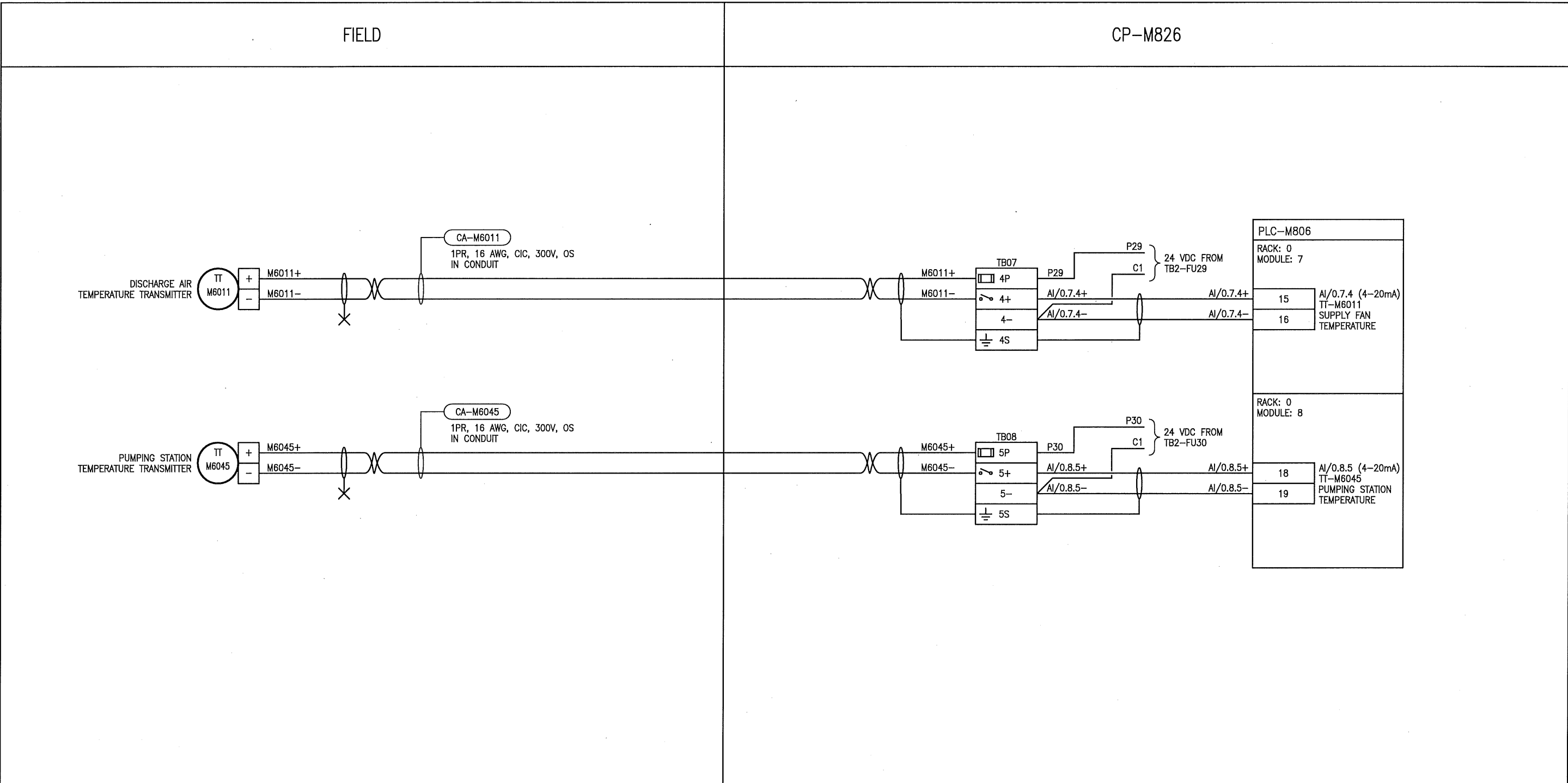


B SIZE - 279mm x 432mm

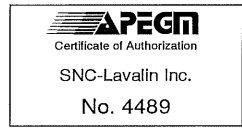
General DWG\01 McPhillips\1-0640M-A0064-001-00.dwg

LAST SAVE: 2019/10/30 - 9:46am
 PATH: M:\661472\4ENG\48IC\DD -



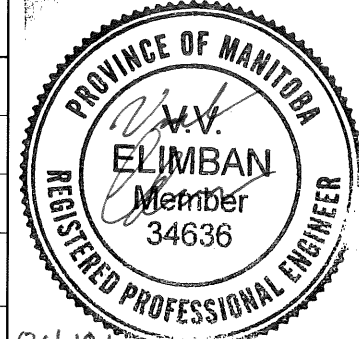
NOTES

ASSOCIATED REFERENCE DRAWINGS:
 1-0640M-A0048
 1-0640M-A0049
 1-0640M-A0056
 1-0640M-P0013



SNC-LAVALIN INC.
 148 Nature Park Way
 Winnipeg, MB, Canada R3P 0X7
 204-786-8080

ENGINEER'S SEAL



MCPHILLIPS PUMPING STATION
 LOOP DIAGRAM
 DISCHARGE AIR AND PUMPING STATION
 TEMPERATURE TRANSMITTERS, TT-M6011 AND TT-M6045

NO.	REVISIONS	DATE	DESIGN	CHECK
00	ISSUED FOR TENDER AND CONSTRUCTION	2019/10/18	SB	BC

DESIGNED BY: S. BOGHOSIAN	CHECKED BY: B. CLEVEN
DRAWN BY: C. DUBON	APPROVED BY: D. BECKER
SCALE: NTS	DATE: 2019/05/29
ISSUED FOR CONSTRUCTION	DATE: 2019/10/18
BY: A. WEISS	DATE: 2019/10/18
CONSULTANT NO.:	

CITY DRAWING NUMBER 1-0640M-A0064	SHEET 001	REV. 00	SIZE B
--------------------------------------	--------------	------------	-----------

04.181
2019