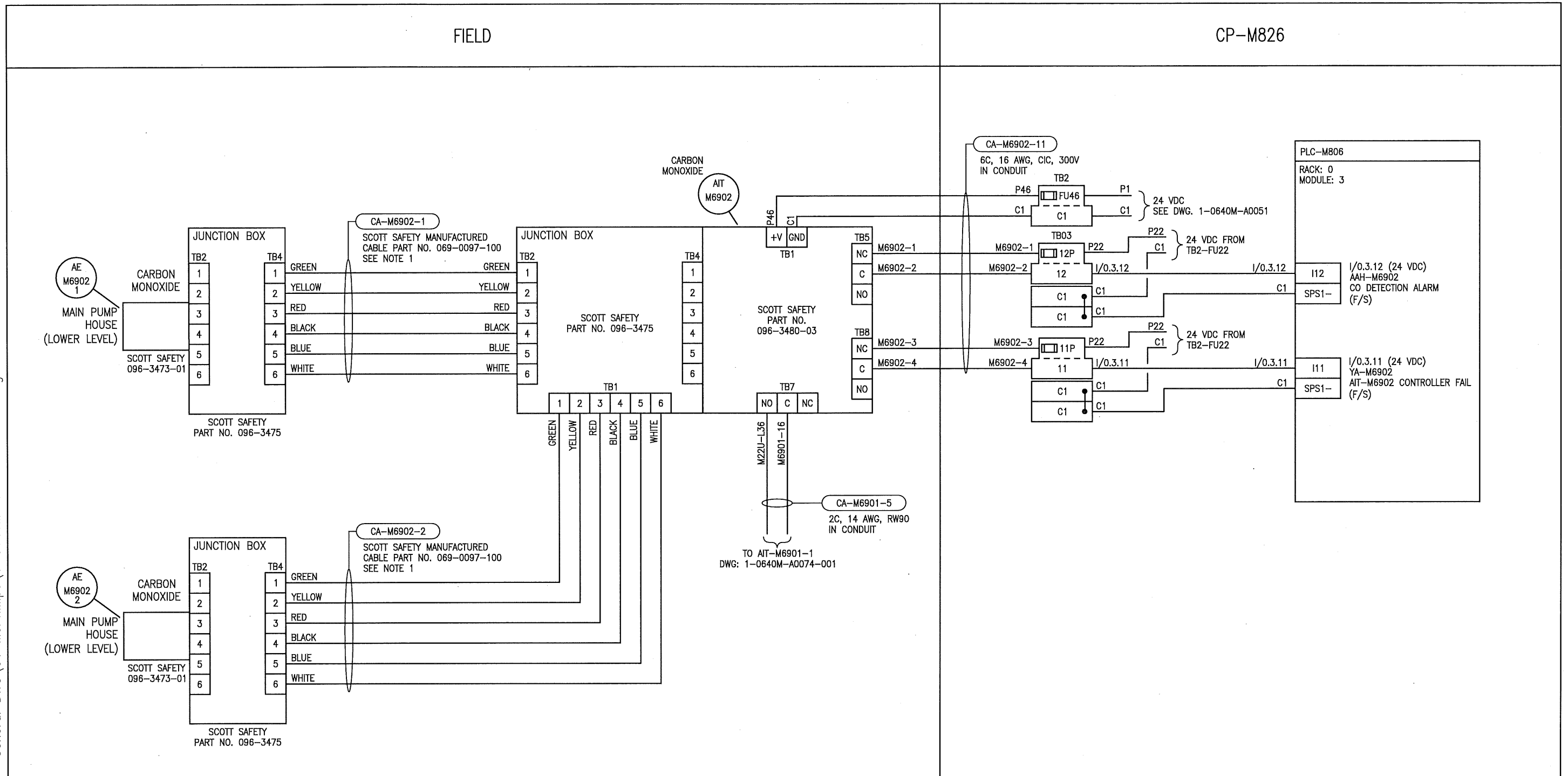


B SIZE - 279mm x 432mm

General DWG\01 McPhillips\1-0640M-A0075-001-00.dwg

LAST SAVE: 2019/10/30 1 9:47am  
 PATH: M:\661472\4ENG\48IC\DD -



**NOTES**

- REFER TO MANUFACTURER'S SHOP DRAWINGS FOR COMPLETE WIRING DETAILS. VERIFY ALL WIRING DETAILS WITH MANUFACTURER.
- ELECTRICAL CONTRACTOR TO PROVIDE ANY ADDITIONAL DEVICES NEEDED TO COMPLETE SYSTEM DESIGN.
- SET CO CONTROLLER TO ISSUE AN ALARM AT 12.5 PPM.

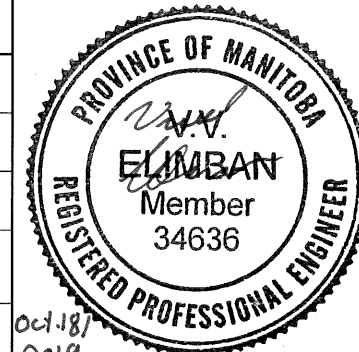
ASSOCIATED REFERENCE DRAWINGS:  
 1-0640M-A0048  
 1-0640M-A0049  
 1-0640M-A0051  
 1-0640M-A0052



**SNC-LAVALIN INC.**  
 148 Nature Park Way  
 Winnipeg, MB, Canada R3P 0X7  
 204-786-8080

DESIGNED BY: V. ELIMBAN	CHECKED BY: B. CLEVEN
DRAWN BY: C. DUBON	APPROVED BY: D. BECKER
SCALE: N.T.S.	DATE: 2019/05/15
ISSUED FOR CONSTRUCTION	
BY: A. WEISS	DATE: 2019/10/18
CONSULTANT NO.:	

ENGINEER'S SEAL



**THE CITY OF WINNIPEG**  
 WATER AND WASTE DEPARTMENT

MCPHILLIPS PUMPING STATION

LOOP DIAGRAM  
 AIT-M6902  
 CARBON MONOXIDE DETECTION - MAIN PUMP HOUSE

CITY DRAWING NUMBER 1-0640M-A0075	SHEET 001	REV. 00	SIZE B
--------------------------------------	--------------	------------	-----------

00	ISSUED FOR TENDER AND CONSTRUCTION	2019/10/18	VE	BC
NO.	REVISIONS	DATE	DESIGN	CHECK