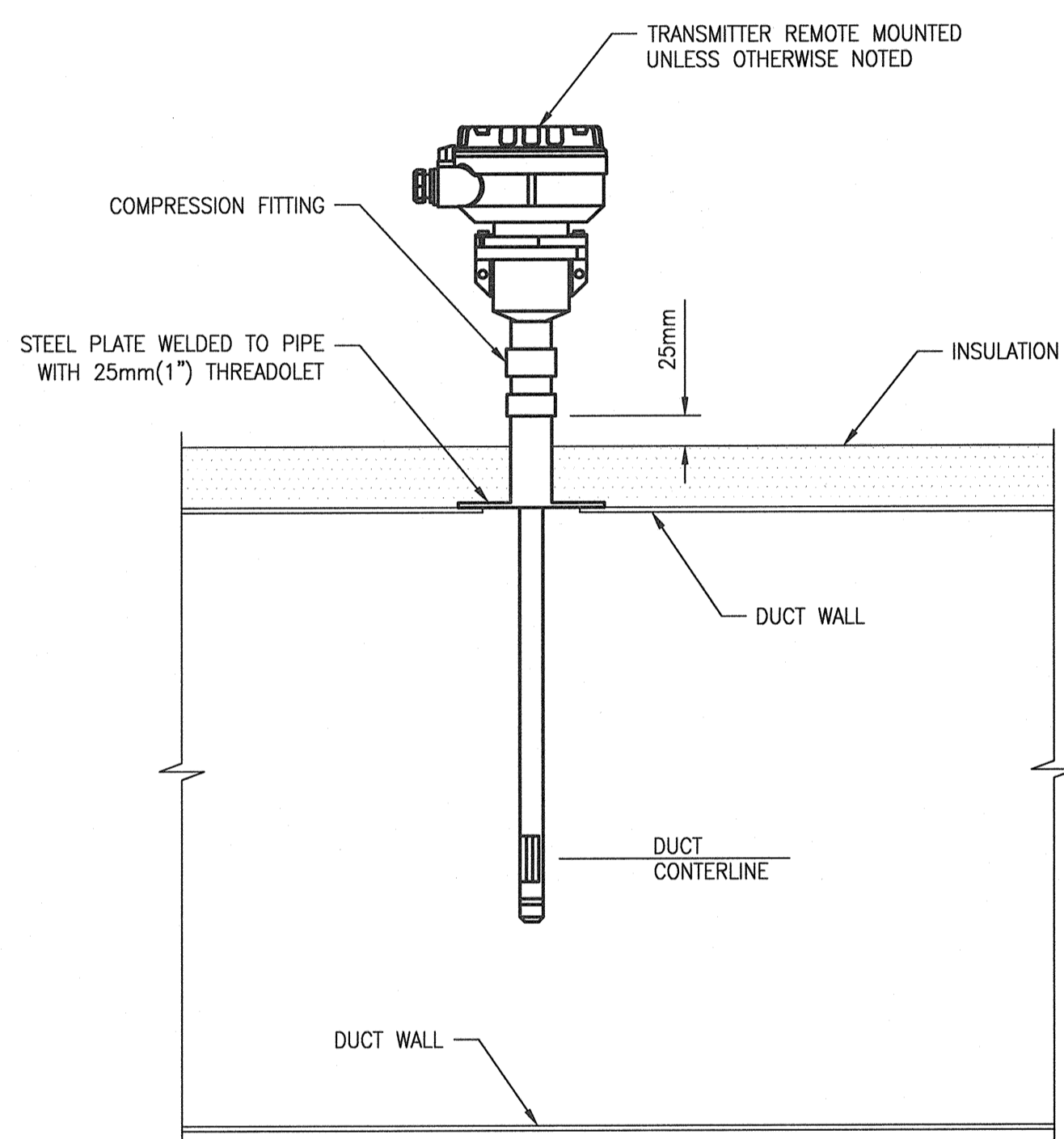


NOTES:
MINIMUM TEE SIZE 75mm. PROVIDE REDUCERS FOR LINES SMALLER THE 75mm.

FLOW SWITCH - TEE CONNECTION

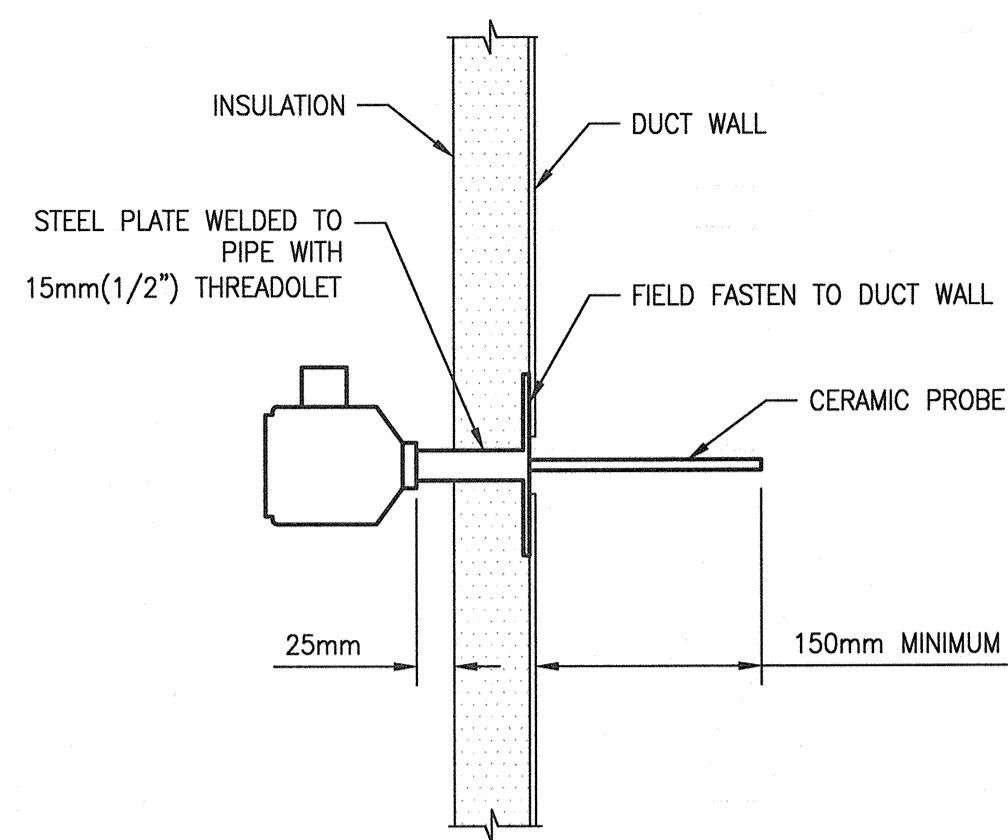
SCALE: NTS



NOTES:
1. ORIENT FLOW DIRECTION ARROW AS PER MANUFACTURES INSTRUCTIONS.
2. MOUNT SENSOR TO TOP OF DUCT IF ACCESSIBLE. OTHERWISE, MOUNT TO SIDE.

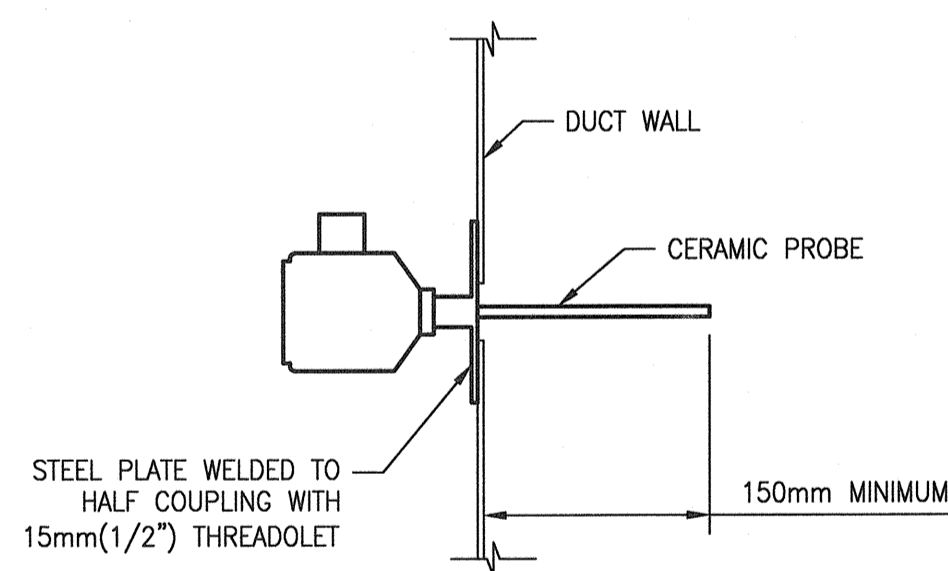
THERMAL MASS FLOW ELEMENT - DUCT MOUNT

SCALE: NTS



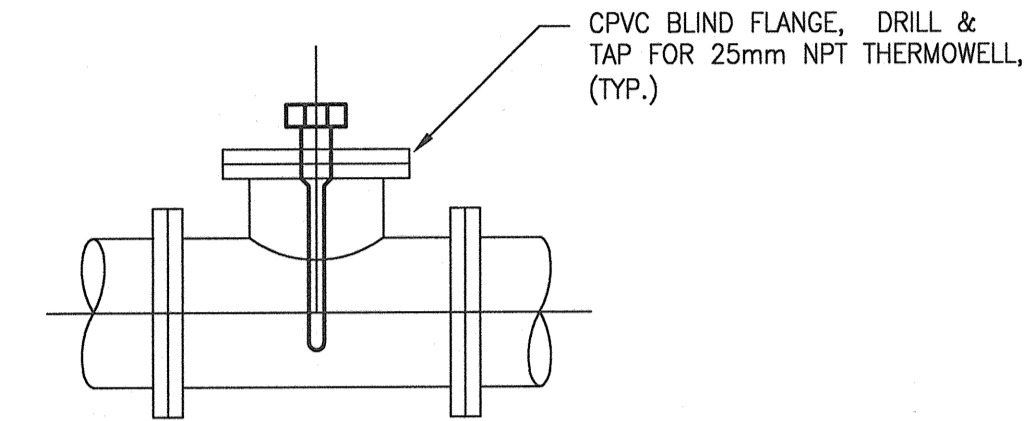
TEMPERATURE TRANSMITTER - INSULATED DUCT

SCALE: NTS



TEMPERATURE TRANSMITTER - UN-INSULATED DUCT

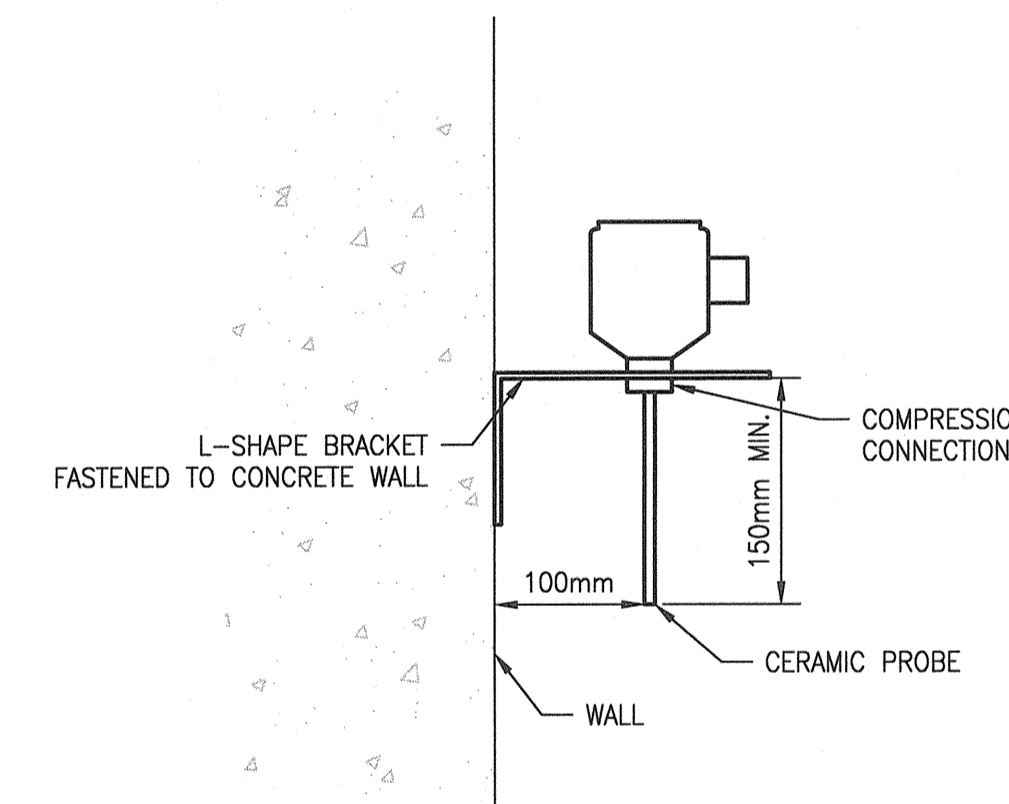
SCALE: NTS



FRP TEE, TYP

THERMOWELL INSTALLATION

SCALE: NTS



TEMPERATURE TRANSMITTER - WALL MOUNT

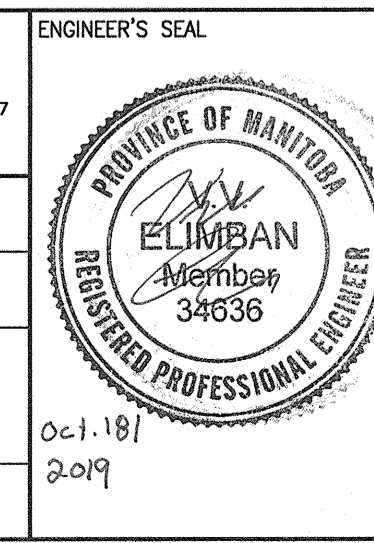
SCALE: NTS

DRAWING NUMBER	REFERENCE DRAWINGS
----------------	--------------------



00	ISSUED FOR TENDER AND CONSTRUCTION	2019/10/18	VE	BC
NO.	REVISIONS	DATE	DESIGN	CHECK

DESIGNED BY: S. BOGHOSIAN	CHECKED BY: B. CLEVEN
DRAWN BY: J. GRAGASIN	APPROVED BY: D. BECKER
SCALE: NTS	ISSUED FOR CONSTRUCTION BY: A. WEISS
DATE: 2019/10/07	DATE: 2019/10/18
CONSULTANT NO.:	



MCPHILLIPS PUMPING STATION			
INSTALLATION DETAILS			
CITY DRAWING NUMBER	SHEET	REV.	SIZE
1-0640M-A0086	001	00	A1