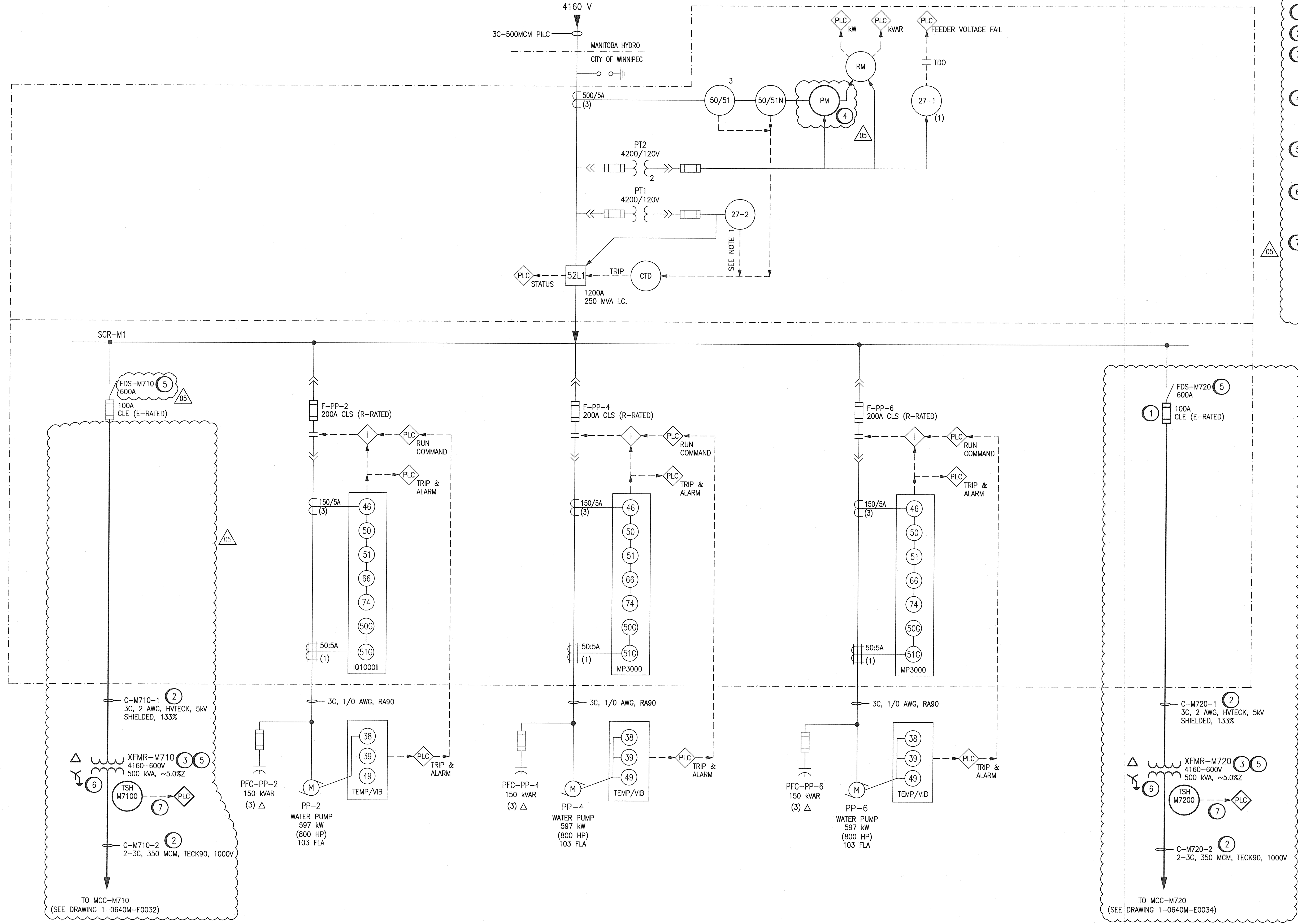
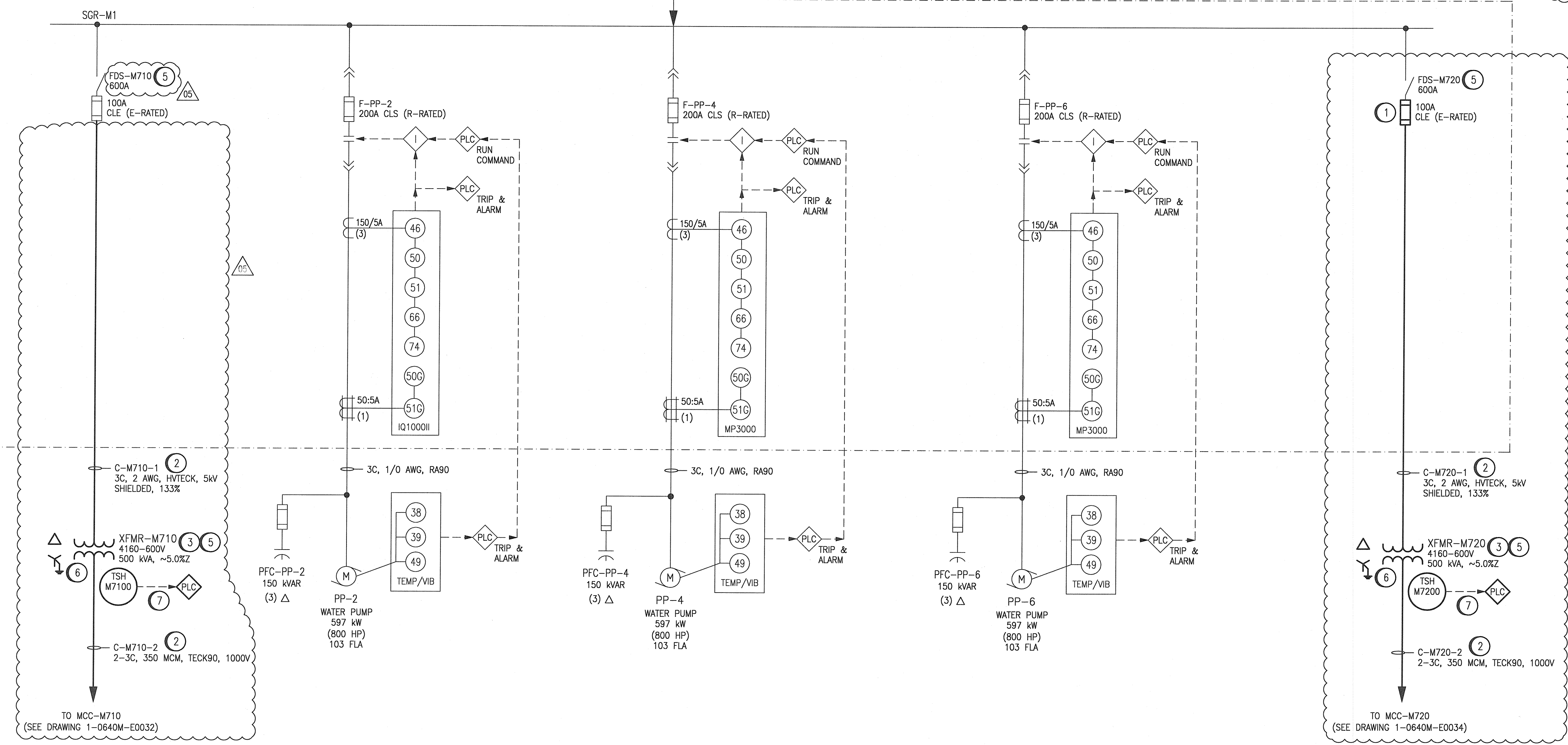


FROM MANITOBA HYDRO LOGAN AVE. SUBSTATION
FEEDER 2323
4160 V



- CONSTRUCTION NOTES:**
- 1 REPLACE EXISTING FUSES ON EXISTING FUSED DISCONNECT SWITCH WITH NEW 5.5kV, 100A E-RATED FUSES.
 - 2 PROVIDE NEW CABLES.
 - 3 REPLACE EXISTING TRANSFORMERS T1 AND T2 WITH NEW TRANSFORMERS XFMR-M710 AND XFMR-M720. NEW TRANSFORMERS TO BE FLOOR MOUNTED DRY TYPE TRANSFORMERS.
 - 4 PROVIDE NEW POWER METER (SCHNEIDER ELECTRIC MODEL: POWER LOGIC ION9000, PART NO. METSEION92040) TO REPLACE THE EXISTING POWER METER. REFER TO DRAWING 1-0640M-E0017 FOR WIRING DIAGRAM. PROVIDE POWER FROM PNL-M22U, OCT.22.
 - 5 PROVIDE NEW LAMACOID NAMEPLATES FOR ALL NEW AND EXISTING EQUIPMENT TO REFLECT NEW TAGS. LAMACOID TO BE MECHANICALLY AFFIXED WITH MACHINE SCREWS OR DRIVE PINS, WHERE APPLICABLE.
 - 6 PROVIDE A SEPARATE 4/0 AWG, RW90, GREEN INSULATED CONDUCTOR (RUN IN CONDUIT) FROM THE TRANSFORMER X0 TERMINAL TO THE EQUIPMENT GROUNDING SYSTEM CONDUCTOR. REFER TO DRAWING 1-0640M-E0044 001 FOR DETAILS.
 - 7 REFER TO DWG 1-0640M-A0080 AND 1-0640M-A0081 FOR LOOP DRAWINGS OF TSH-M7100 AND TSH-M7200 RESPECTIVELY.
- LEGEND:**
- EXISTING
— NEW WORK



1-0640M-A0081	LOOP DIAGRAM, XFMR-M720 WINDING HIGH TEMPERATURE SWITCH
1-0640M-A0080	LOOP DIAGRAM, XFMR-M710 WINDING HIGH TEMPERATURE SWITCH
1-0640M-E0044-001	ELECTRICAL GROUNDING RISER DIAGRAM
1-0640M-E0036	MCC-M730E SINGLE LINE DIAGRAM
1-0640M-E0034	MCC-M720 SINGLE LINE DIAGRAM
1-0640M-E0032	MCC-M710 SINGLE LINE DIAGRAM
1-0640M-E0017	MAIN BREAKER THREE LINE DIAGRAM
1-0640M-E0016	MAIN BREAKER CONTROL SCHEMATIC
1-0640M-E0001	ELECTRICAL SINGLE LINE DIAGRAM LEGEND & DETAILS
DRAWING NUMBER	REFERENCE DRAWINGS

- NOTES:**
1. RELAY 27-2 IS BELIEVED TO BE DISCONNECTED.
 2. CLOUDED PORTIONS OF THIS DRAWING INDICATE WORK TO BE COMPLETED. EITHER REMOVALS OF ADDITION AS INDICATED. REFER TO DEMOLITION AND CONSTRUCTION NOTES.

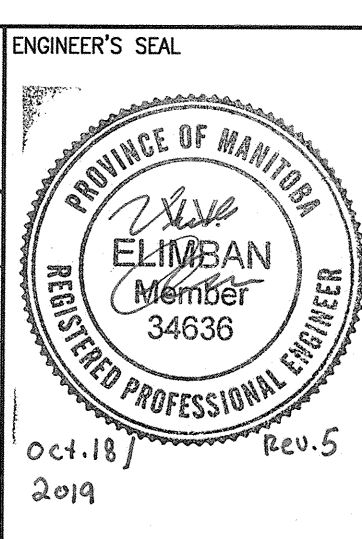


NO.	REVISIONS	DATE	DESIGN	CHECK
05	ISSUED FOR TENDER AND CONSTRUCTION	2019/10/18	VE	KS
04	AS-BUILT - REPLACED PP-6 PROTECTION RELAY	2012/01/10	-	BJC
03	ISSUED FOR CITY USE	2011/11/01	BC	CJR
02	MODIFIED 27-1, 27-2 RELAYS, ADDED 50/51-B	2009/05/27	BDK	CJR
01	REVISED DRAWING NUMBER	2008/02/13	AEO	CJR
00	ISSUED FOR CITY USE	2007/08/28	YM	CJR

SNC-LAVALIN INC.
148 Nature Park Way
Winnipeg, MB, Canada R2P 0X7
204-796-8880

DESIGNED BY: EXISTING
DRAWN BY: DEB
SCALE: NTS
DATE: 2005/10/25
CONSULTANT NO.: 113099-0000-47DD-0202

CHECKED BY: C. REIMER
APPROVED BY: C. REIMER
ISSUED FOR CONSTRUCTION BY: A. WEISS
DATE: 2019/10/18



THE CITY OF WINNIPEG
WATER AND WASTE DEPARTMENT

MCPHILLIPS PUMPING STATION
ELECTRICAL SINGLE LINE DIAGRAM
4160 V DISTRIBUTION

CITY DRAWING NUMBER: 1-0640M-E0002
SHEET: 001
REV: 05
SIZE: A1