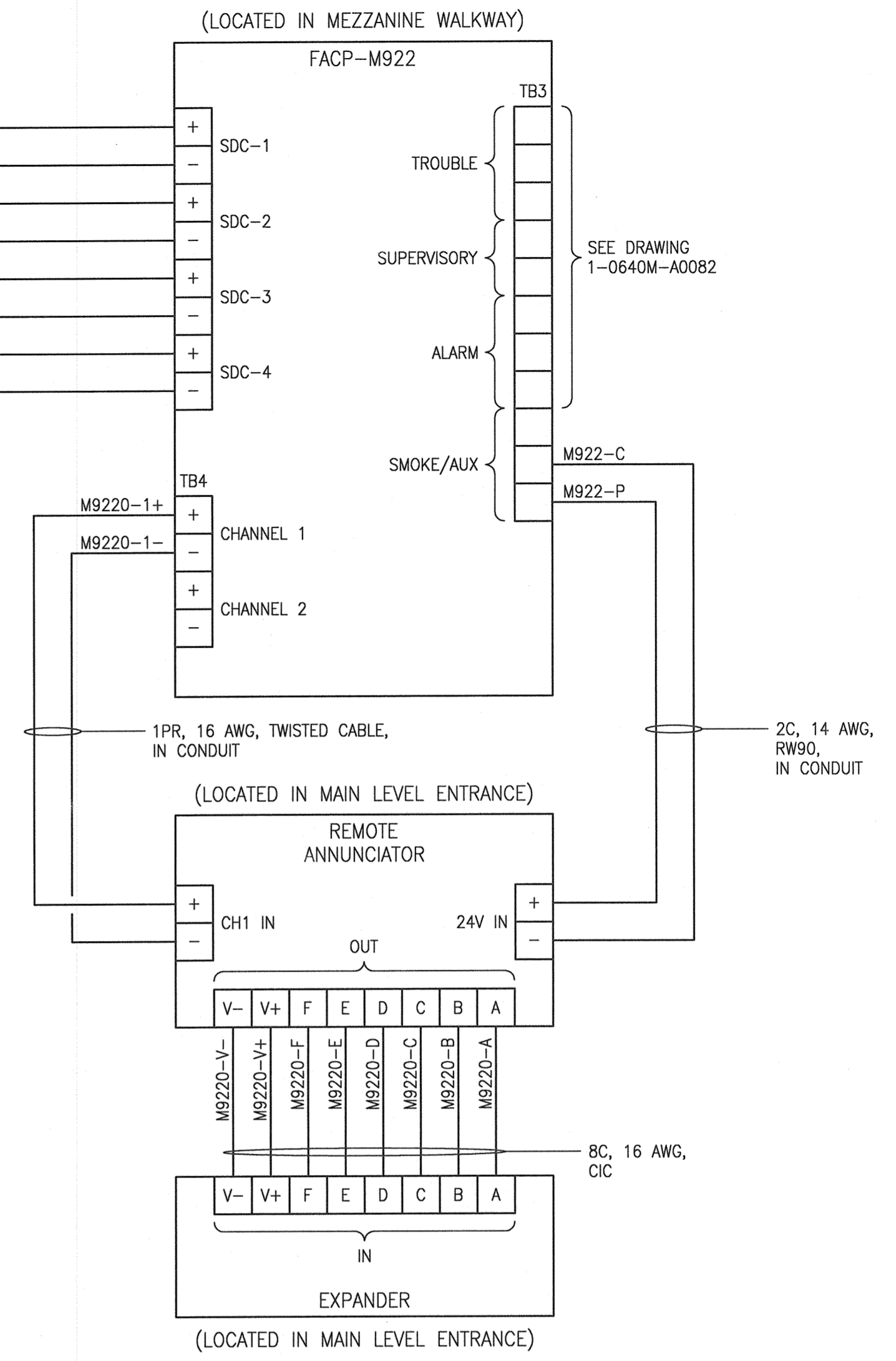
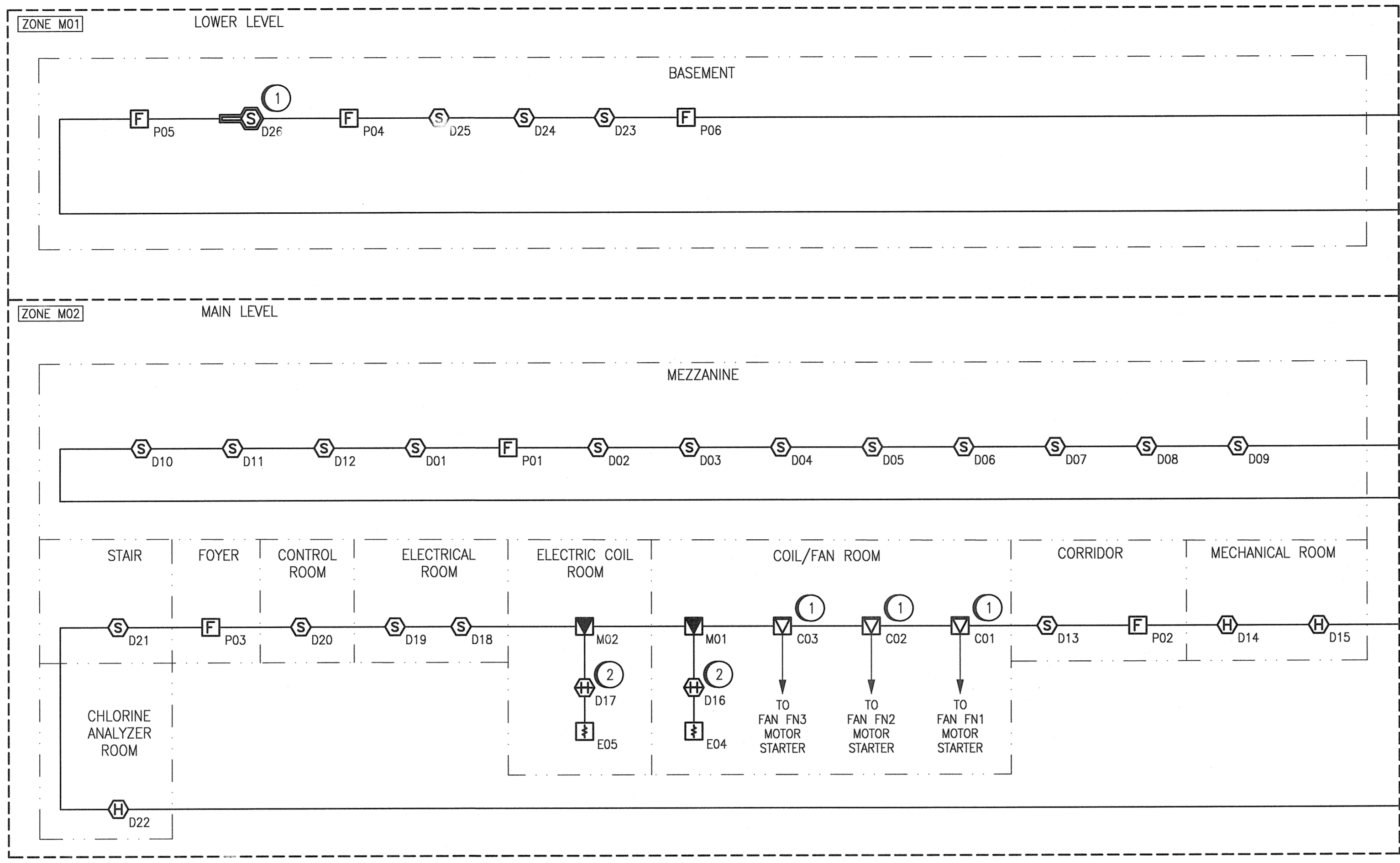
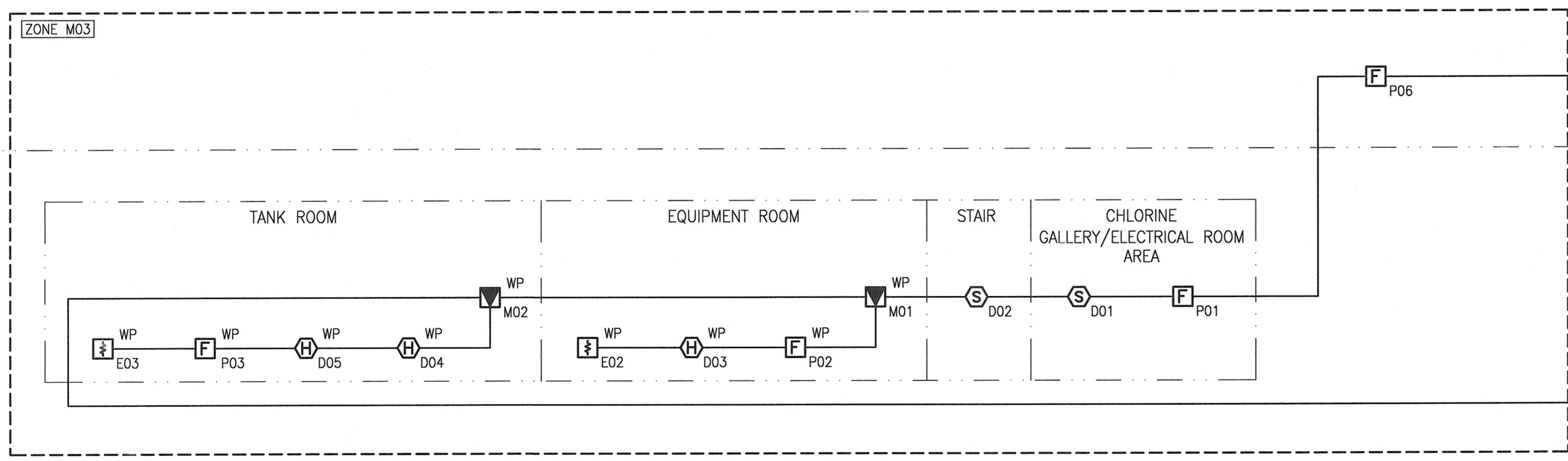


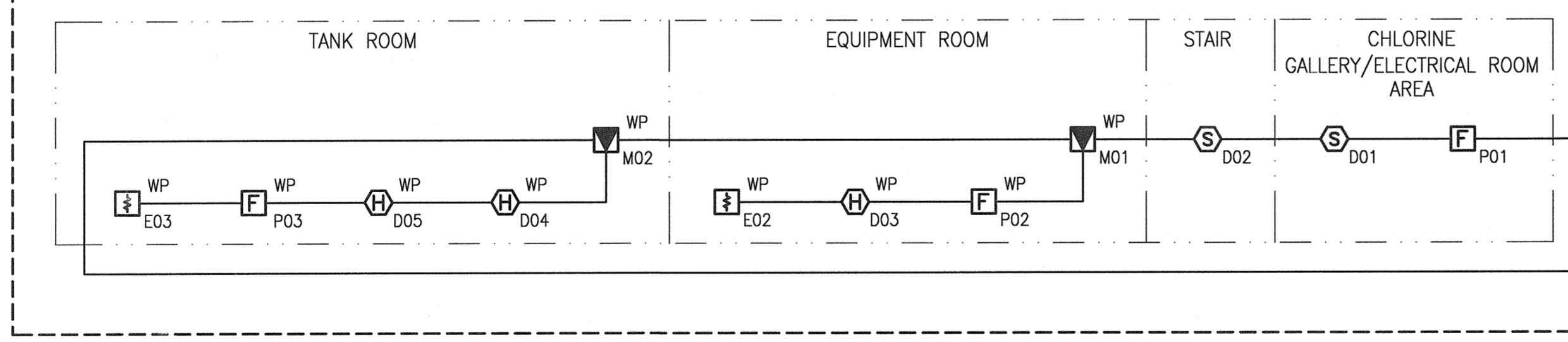
**PUMPHOUSE**  
(PROCESS AREA IDENTIFIER : M)



**SERVICE TUNNEL**  
(PROCESS AREA IDENTIFIER : M)



**CHLORINE BUILDING AND GALLERY**  
(PROCESS AREA IDENTIFIER : C)



**SPECIFIC NOTES:**

- ① PROVIDE FIRE ALARM PROGRAMMING SUCH THAT WHEN DUCT SMOKE DETECTOR D24 INITIATES, CONTROL RELAYS C01, C02 AND C03 ALL OPERATE. THIS IS REQUIRED FOR SHUTTING DOWN SUPPLY FANS FN1, FN2 AND FN3 UNDER A DUCT SMOKE FIRE ALARM CONDITION.
- ② PROVIDE FIXED TEMPERATURE HEAT DETECTORS RATED FOR 90 DEGREES CELCIUS IN THE FAN ROOM AND ELECTRIC COIL ROOM.

**GENERAL NOTES:**

1. ALL DEVICES AND WIRING SHOWN ARE NEW AND ARE TO BE PROVIDED BY THE ELECTRICAL CONTRACTOR. PROVIDE FIRE ALARM PROGRAMMING (FROM A CERTIFIED ALARM TECHNICIAN) FOR A FULLY FUNCTIONAL FIRE ALARM SYSTEM.
2. DEVICE TAGS ARE SHOWN IN SHORTHAND NOTATION. FULL DEVICE TAG FORMAT IS FAS-X-YYY, WHERE X IS THE PROCESS IDENTIFIER AND YYY IS THE DEVICE IDENTIFIER. EG. DETECTOR D01 IN THE MAIN PUMPHOUSE WILL BE DESIGNATED FAS-M-D01.
3. INSTALL AS PER CEC REQUIREMENTS.
4. ALL DEVICES ARE CONNECTED TO FIRE ALARM PANEL FACP-M922 LOCATED ON MAIN LEVEL.
5. UTILIZE A MINIMUM OF #18 AWG FOR DETECTION CIRCUITS.



1-0640M-A0082	LOOP DIAGRAM, FACP-M922 ALARM
1-0640C-E0010	FIRE ALARM, CHLORINE BLDG, GRND LVL & SERVICE TUNNEL
1-0640C-E0009	FIRE ALARM, CHLORINE BLDG, GRND LVL & SERV. TUNNEL - DEMO
1-0640M-E0057	ELECTRICAL FIRE ALARM, LEGEND AND DETAILS
1-0640M-E0056	FIRE ALARM RISER - NOTIFICATION
1-0640M-E0054	FIRE ALARM, PUMPHOUSE MEZZANINE LEVEL
1-0640M-E0053	FIRE ALARM, PUMPHOUSE LOWER LEVEL
1-0640M-E0052	FIRE ALARM PLAN MEZZANINE LEVEL, DEMOLITION
1-0640M-E0051	FIRE ALARM PLAN PUMPHOUSE LOWER LEVEL - DEMOLITION
DRAWING NUMBER	REFERENCE DRAWINGS

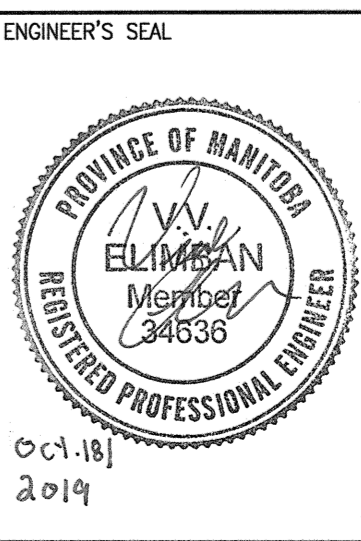
NO.	REVISIONS	DATE	DESIGN	CHECK
00	ISSUED FOR TENDER AND CONSTRUCTION	2019/10/18	VE	KS

**SNC-LAVALIN INC.**  
148 Nature Park Way  
Winnipeg, MB, Canada R3P 0X7  
204-786-8080

DESIGNED BY: V. ELIMBAN  
DRAWN BY: J. GRACASIN  
SCALE: NTS  
DATE: 2019/07/11

CHECKED BY: K. SAPIAK  
APPROVED BY: D. BECKER  
ISSUED FOR CONSTRUCTION BY: A. WEISS  
DATE: 2019/10/18

CONSULTANT NO.:



**THE CITY OF WINNIPEG**  
WATER AND WASTE DEPARTMENT

MCPHILLIPS PUMPING STATION  
ELECTRICAL AND HVAC UPGRADES, MCC REPLACEMENT  
ELECTRICAL FIRE ALARM  
RISER DIAGRAM  
DETECTION CIRCUITS

CITY DRAWING NUMBER: 1-0640M-E0055  
SHEET: 001  
REV.: 00  
SIZE: A1