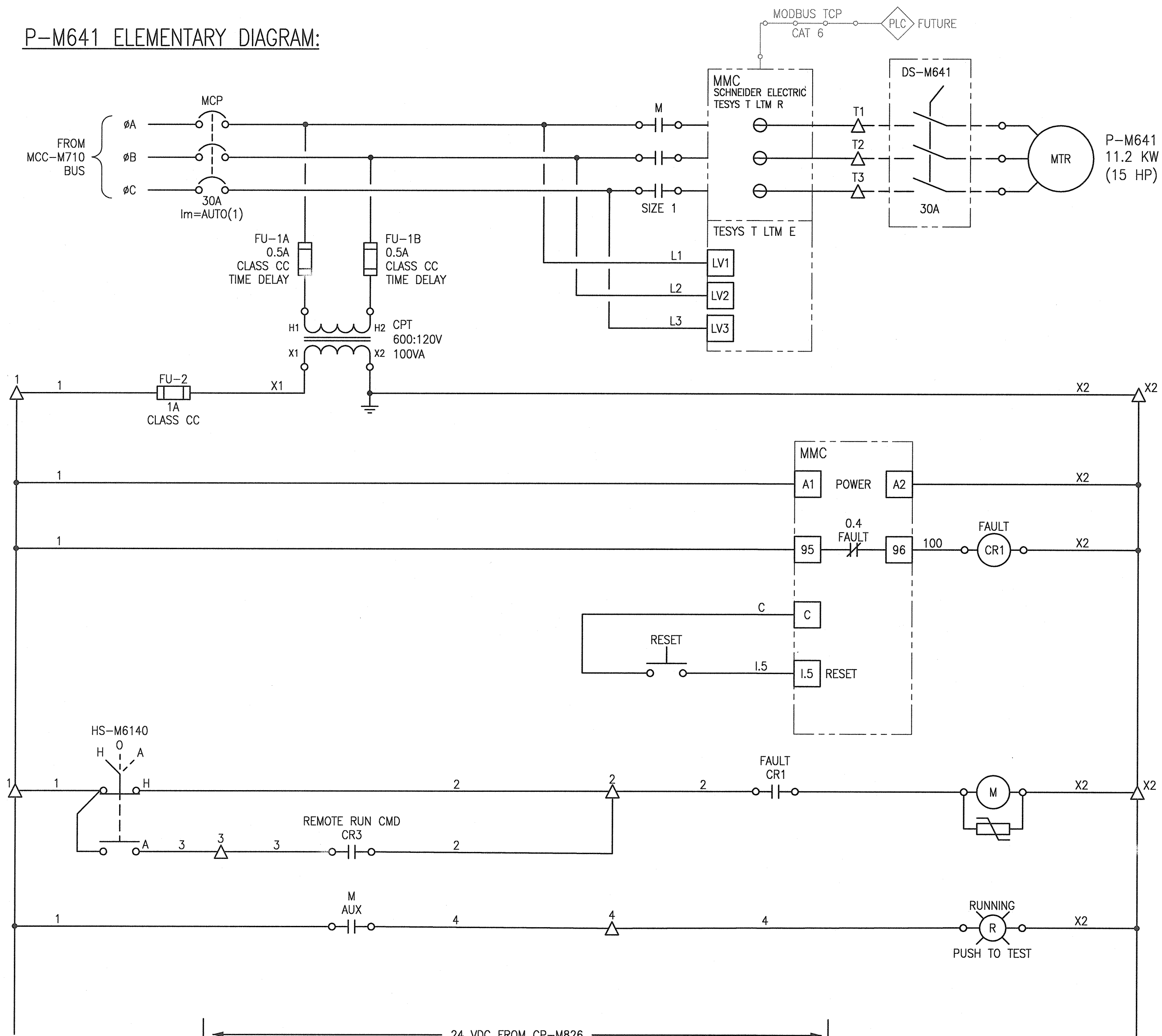
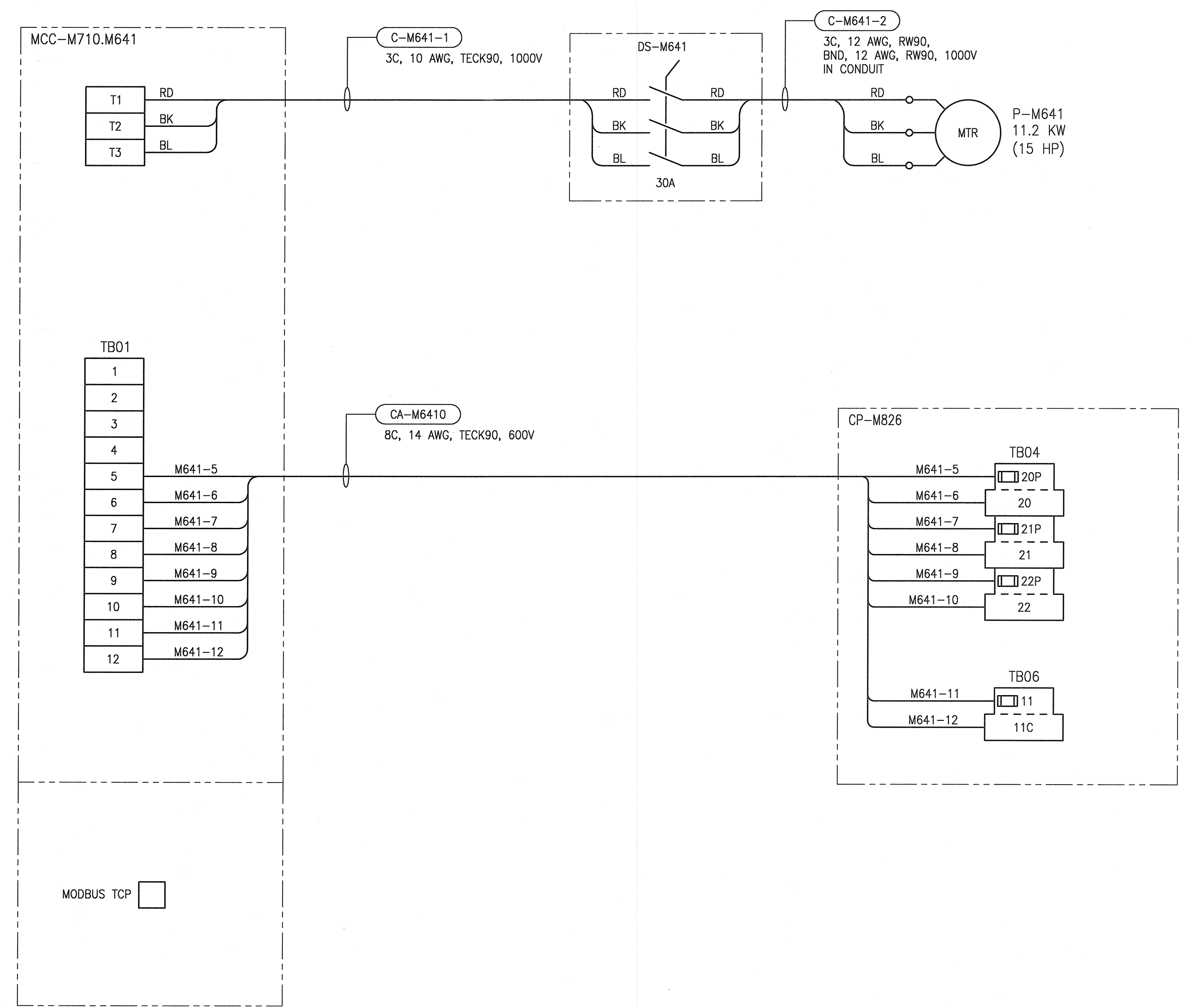


P-M641 ELEMENTARY DIAGRAM:



P-M641 FIELD CONNECTION DIAGRAM:

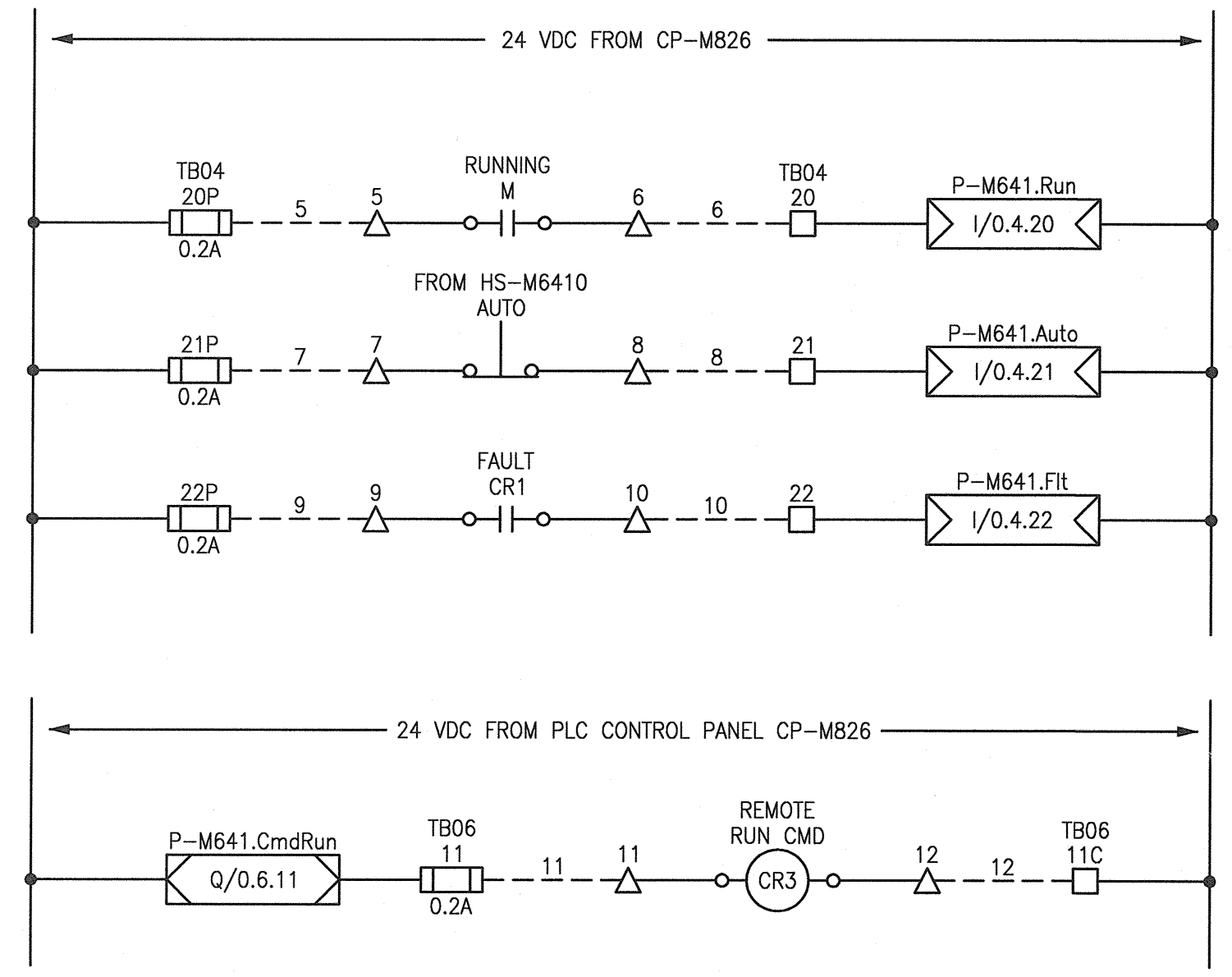


ELEMENTARY DIAGRAM LEGEND:

- INTERNAL WIRING
- - - FIELD (EXTERNAL) WIRING
- FUTURE
- △ MCC TERMINAL
- PLC TERMINAL
- M ○ CONTACTOR COIL
- ⎓ TRANSIENT VOLTAGE SUPPRESSOR

GENERAL NOTES:

- ALL EQUIPMENT AND CABLES ARE NEW AND ARE TO BE PROVIDED BY THE ELECTRICAL CONTRACTOR UNLESS SPECIFICALLY NOTED AS EXISTING OR AS SHOWN AS FUTURE.



1-0640M-A0049	INSTRUMENTATION PLAN - NEW WORK, LOWER LEVEL
1-0640M-A0055	WIRING DIAGRAM, HVAC PANEL CP-M826 DISCRETE OUTPUTS
1-0640M-A0053	WIRING DIAGRAM, HVAC PANEL CP-M826 DISCRETE INPUTS
1-0640M-E0033	MCC-M710 LAYOUT AND SCHEDULE
1-0640M-E0032	SINGLE LINE DIAGRAM, MCC-M710
DRAWING NUMBER	REFERENCE DRAWINGS

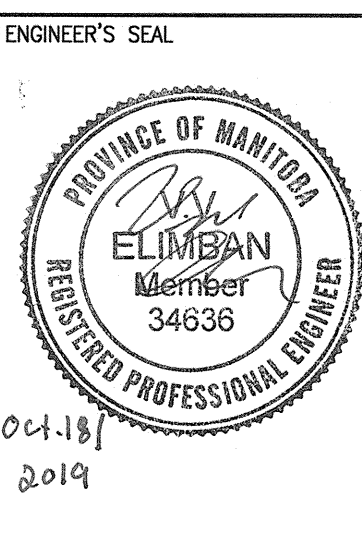


00	ISSUED FOR TENDER AND CONSTRUCTION	2019/10/18	VE	KS
NO.	REVISIONS	DATE	DESIGN	CHECK

SNC-LAVALIN INC.
148 Nature Park Way
Winnipeg, MB, Canada R3P 0X7
204-786-8080

DESIGNED BY: V. ELIMBAN
DRAWN BY: J. GRACASIN
SCALE: NTS
DATE: 2019/06/06
CONSULTANT NO.:

CHECKED BY: K. SAPIAK
APPROVED BY: D. BECKER
ISSUED FOR CONSTRUCTION BY: A. WEISS
DATE: 2019/10/18



THE CITY OF WINNIPEG
WATER AND WASTE DEPARTMENT

MCPHILLIPS PUMPING STATION
ELECTRICAL AND HVAC UPGRADES, MCC REPLACEMENT
MOTOR STARTER SCHEMATIC
P-M641
CHILLED WATER PUMP

CITY DRAWING NUMBER: 1-0640M-E0077
SHEET: 001
REV.: 00
SIZE: A1