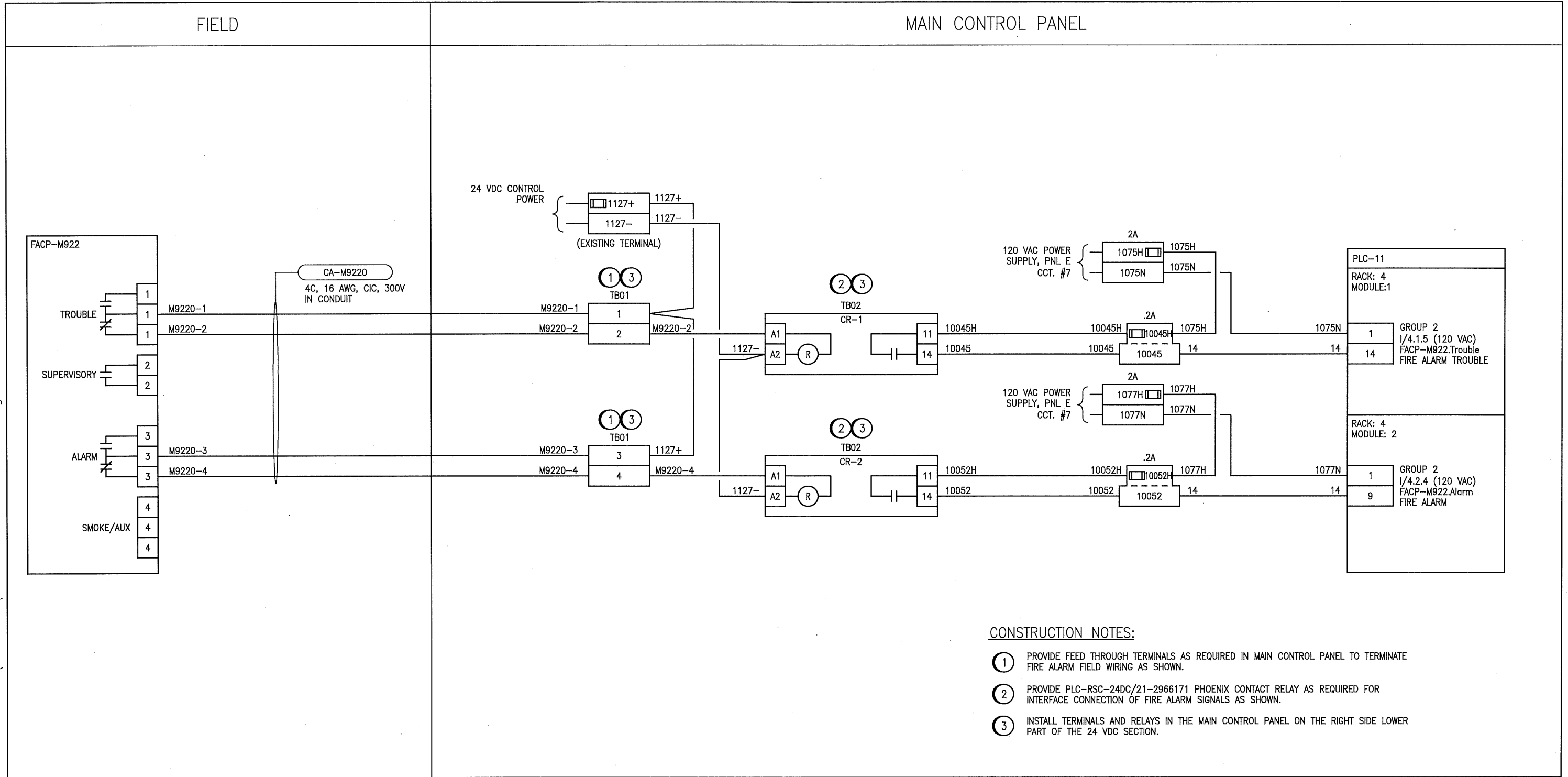


B SIZE - 279mm x 432mm

LAST SAVE: 2019/10/29 - 7:22am
 PATH: M:\661472\4ENG\48IC\DD - General DWG\02 Tache\1-0660M-A0005-001-00.dwg



CONSTRUCTION NOTES:

- ① PROVIDE FEED THROUGH TERMINALS AS REQUIRED IN MAIN CONTROL PANEL TO TERMINATE FIRE ALARM FIELD WIRING AS SHOWN.
- ② PROVIDE PLC-RSC-24DC/21-2966171 PHOENIX CONTACT RELAY AS REQUIRED FOR INTERFACE CONNECTION OF FIRE ALARM SIGNALS AS SHOWN.
- ③ INSTALL TERMINALS AND RELAYS IN THE MAIN CONTROL PANEL ON THE RIGHT SIDE LOWER PART OF THE 24 VDC SECTION.



SNC-LAVALIN INC.
 148 Nature Park Way
 Winnipeg, MB, Canada R3P 0X7
 204-786-8080

DESIGNED BY: S. BOGHOSIAN	CHECKED BY: B. CLEVEN
DRAWN BY: C. DUBON	APPROVED BY: D. BECKER
SCALE: NTS	DATE: 2019/08/01
ISSUED FOR CONSTRUCTION	
BY: A. WEISS	DATE: 2019/10/18
CONSULTANT NO.:	



TACHE BOOSTER PUMPING STATION
 LOOP DIAGRAM
 FACP-M922 ALARMS

NO.	REVISIONS	DATE	DESIGN	CHECK
00	ISSUED FOR TENDER AND CONSTRUCTION	2019/10/18	SB	BC

CITY DRAWING NUMBER 1-0660M-A0005	SHEET 001	REV. 00	SIZE B
--------------------------------------	--------------	------------	-----------