

INSTRUMENT LOOP DIAGRAM

LOOP NO.

TE-042-HS-1
TE-042-HS-2
TE-042-HS-3

TE-042-MIL-1
TE-042-MIL-2

MCC

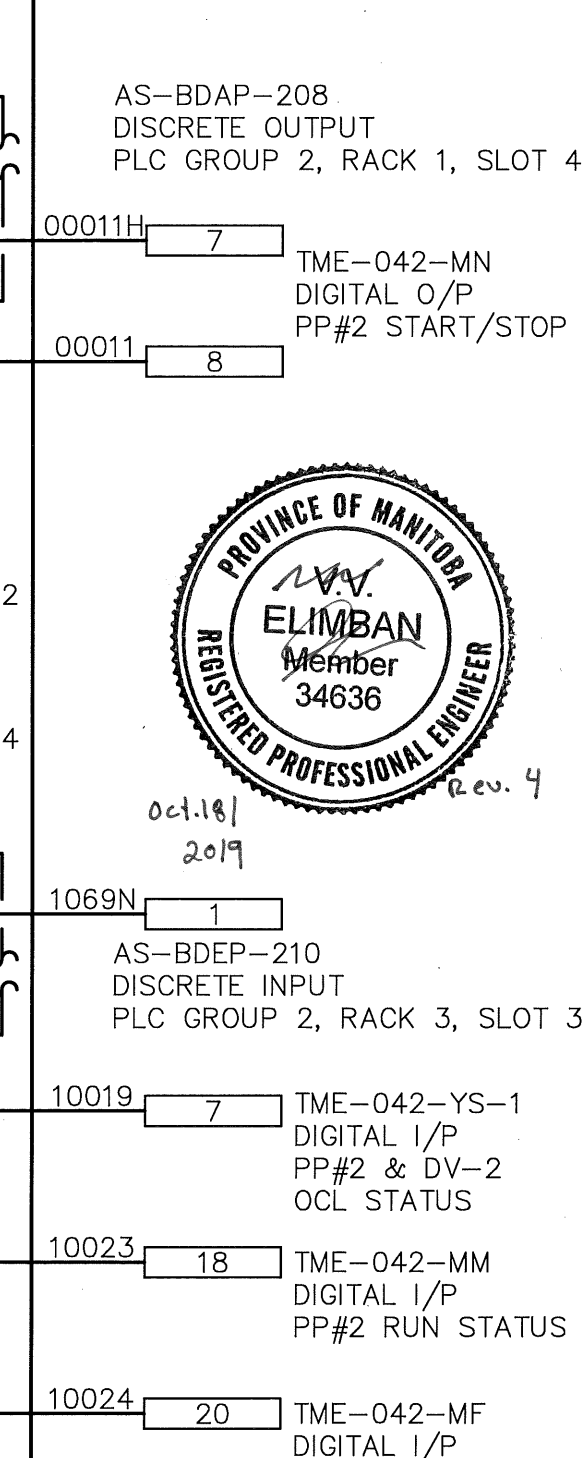
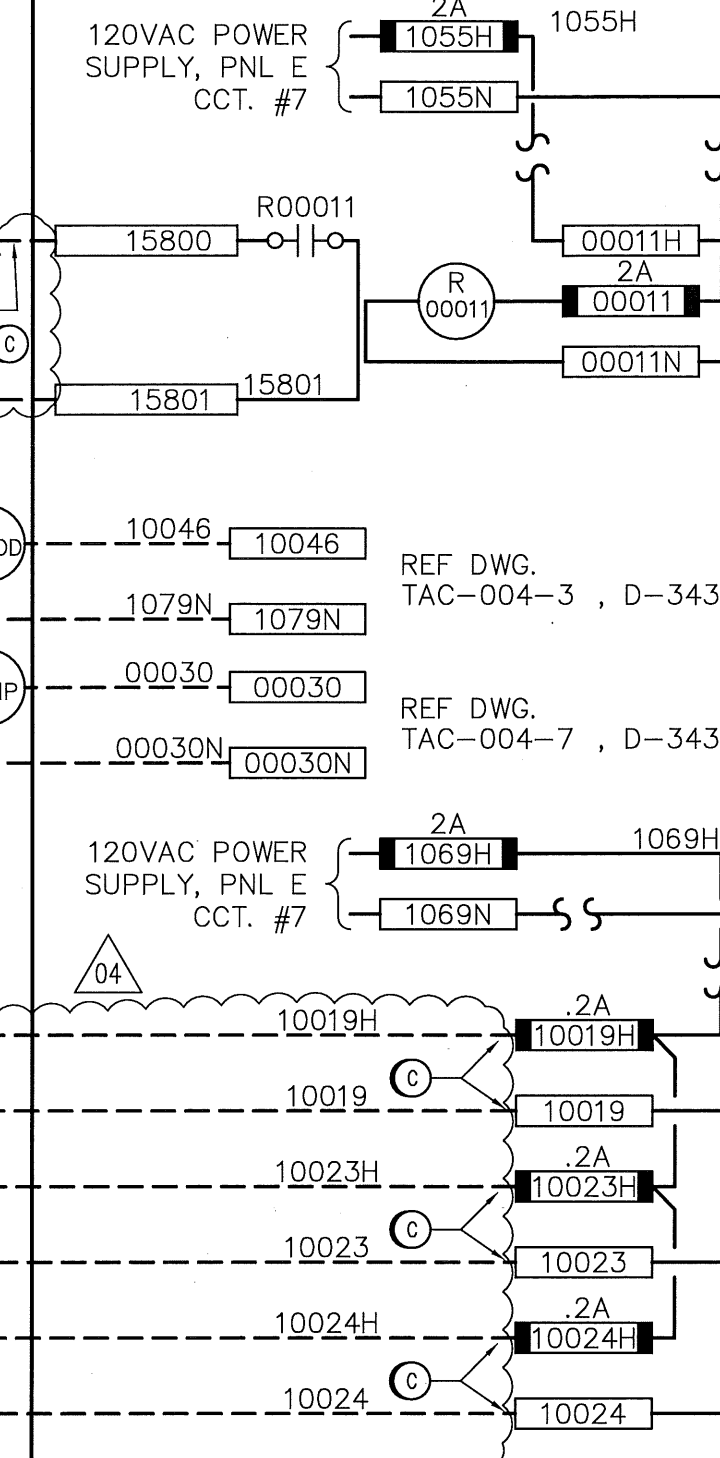
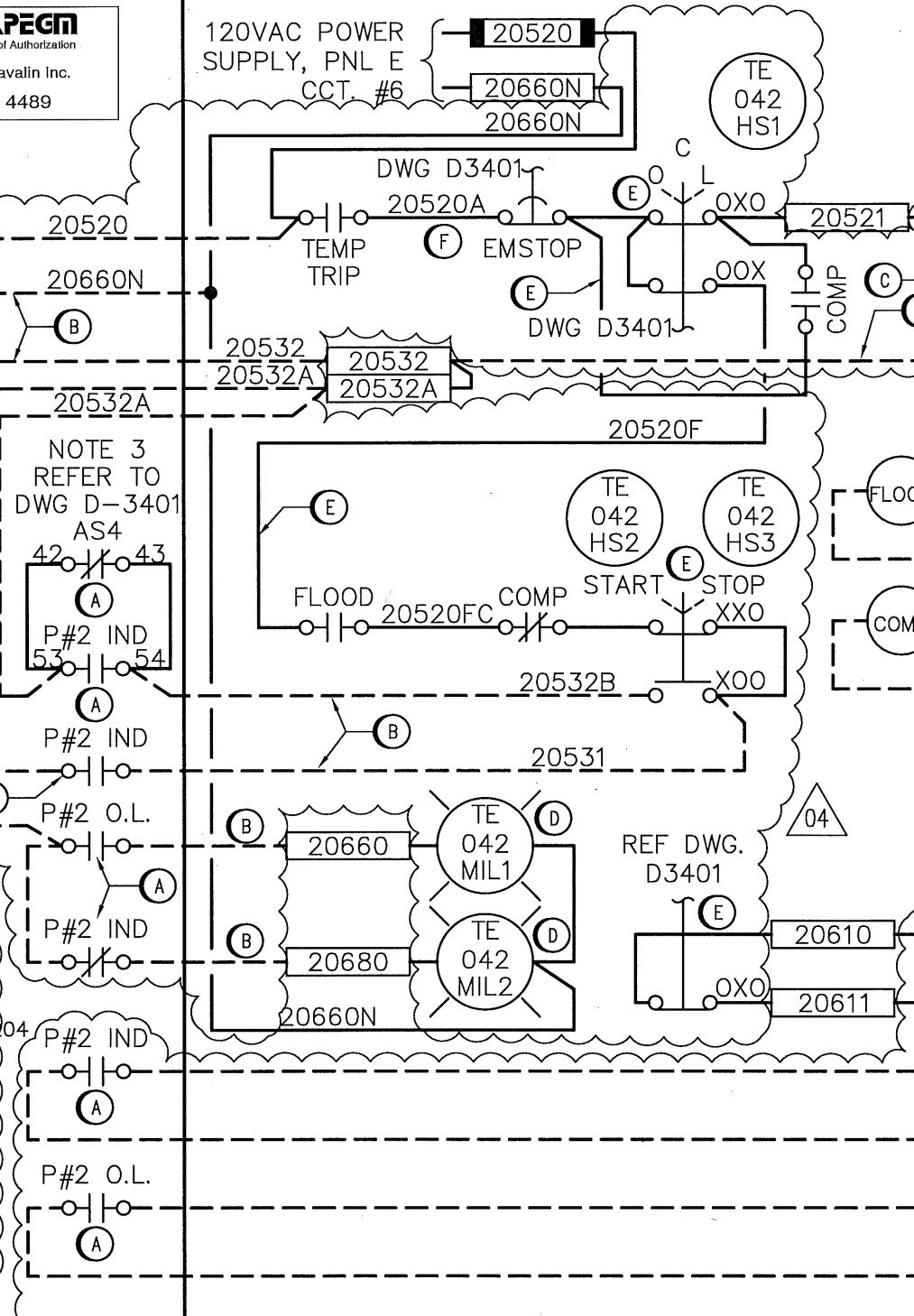
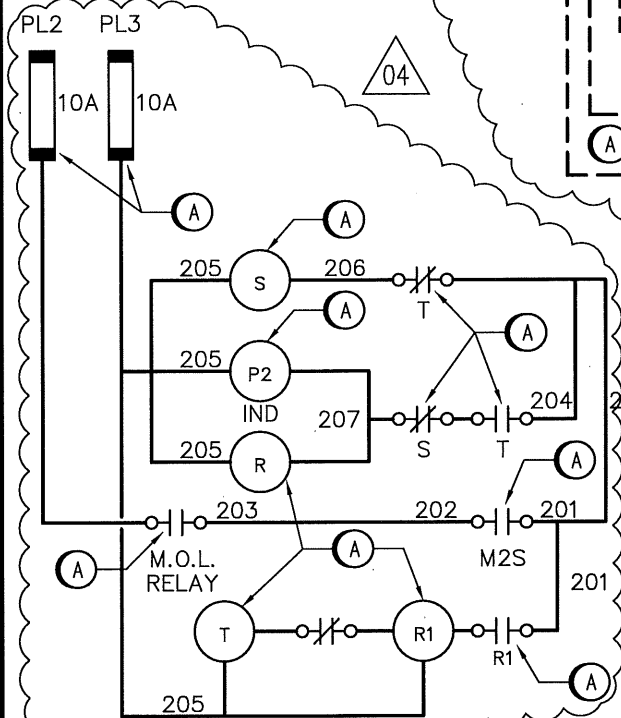
PUMP LOCAL CONTROL PANEL

MAIN CONTROL PANEL

PLC

DEMOLITION NOTES:

- (A) DISCONNECT AND REMOVE RELAY, TIMERS AND TERMINALS IN EXISTING MCC. PART OF MCC DEMOLITION PLAN.
- (B) DISCONNECT AND REMOVE ALL CABLES BETWEEN EXISTING MCC TO LCP-2 PANEL.
- (C) DISCONNECT AND REMOVE RUN, FAIL AND COMP STATUS SIGNAL WIRES IN MAIN CONTROL PANEL. DISCONNECT AND REMOVE CABLE BETWEEN EXISTING LCP TO MCP AND MCC.
- (D) DISCONNECT PILOT LIGHTS TE-042-MIL1 AND TE-042-MIL2. REMOVE INTERNAL WIRING TO TERMINAL. REPLACE EXISTING LAMACOID WITH BLANK LAMACOID. LIGHTS TO REMAIN AS SPARE.
- (E) DISCONNECT START/STOP AND OCL SELECTOR SWITCH AND REMOVE INTERNAL WIRING. REPLACE EXISTING START/STOP LAMACOID WITH BLANK LAMACOID. SWITCH TO REMAIN AS SPARE.
- (F) ONLY DISCONNECT EMSTOP WIRES SHOWN ON THIS DWG. REWIRE EMSTOP AS PER DWG. 1-0660M-E0021 001.



Oct. 18 / 2019

- NOTE:**
- INSTALL TERMINAL BLOCKS AS REQ'D FOR NEW WIRING IF SPARES ARE NOT AVAILABLE.
 - OCL SELECTOR SHALL HAVE MAKE-BEFORE-BREAK OPERATION WHEN SWITCHING FROM C TO L AND FROM L TO C.
 - WIRING FROM DV VIA MCP TO LCP CONTACT CLOSED WHEN DV CLOSED

Reid Crowther
Consulting Engineers

dp controls Ltd.
Calgary, Alberta

JOB NO. 3153
FILENAME D3408



THE CITY OF WINNIPEG
REGIONAL WATER SUPPLY SYSTEM
SUPERVISORY CONTROL AND DATA ACQUISITION

DATE	REVISION	APP.	DATE	REVISION	APP.
19.10.18	4	ISSUED FOR CONSTRUCTION	95.08.03	1	AS-BUILT
02.06.03	3	GENERAL REVISIONS	94.09.14	0	ISSUED FOR CONST.
97.02.03	2	RCPL RECORD DRAWING	94.08.26	A	ISSUED FOR APPROVAL

TACHE PUMPING STATION - MCP
PP#2 ELECTRIC PUMP DRIVE

SCALE _____
DATE 94.08.26
DES PL DWN LFB
CKD DN APP LK

DRAWING NO.
D-3408