

INTRUSION SYSTEM

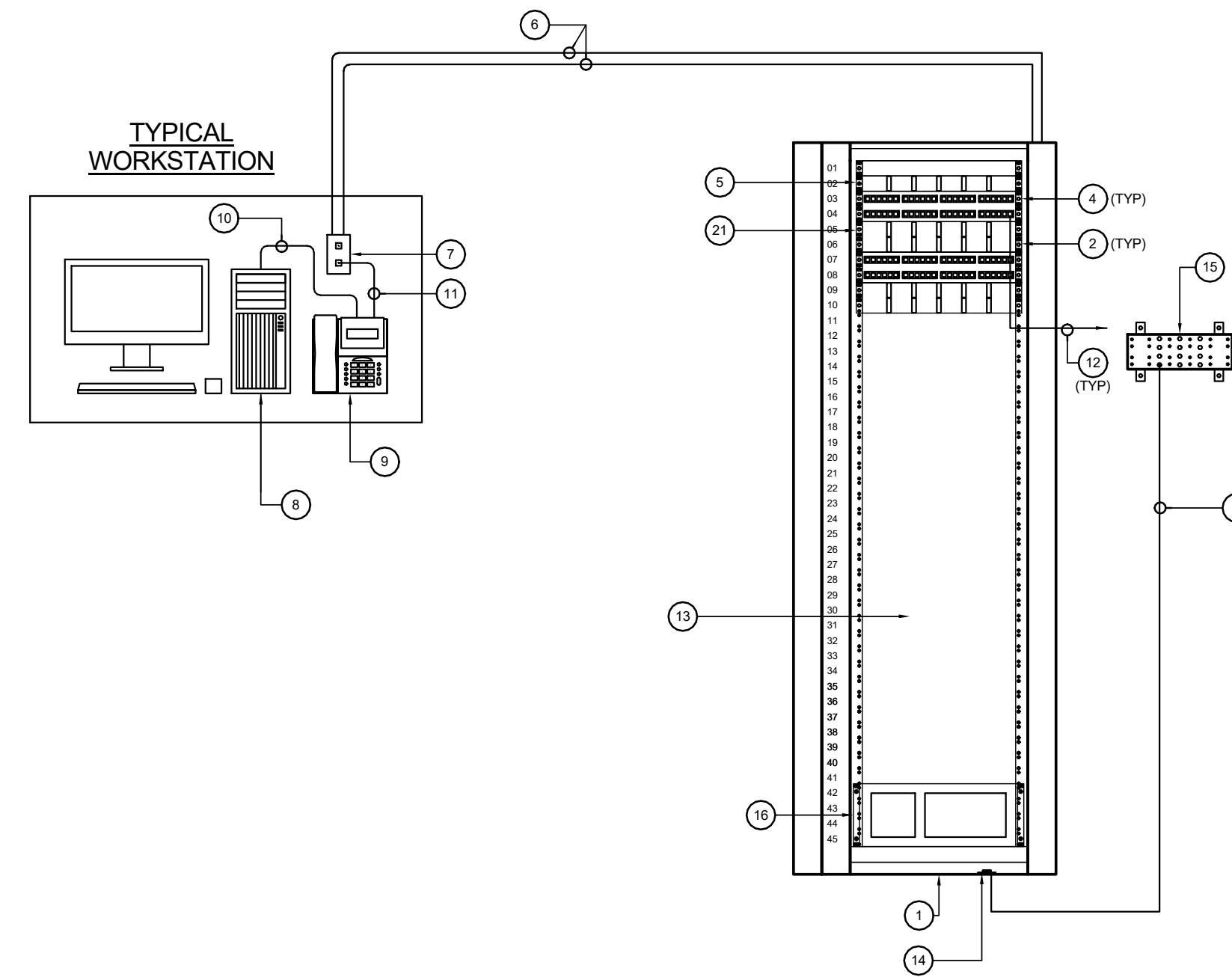
INTRUSION ALARM EQUIPMENT LIST	
1	CONTROL PANEL
2	MOTION DETECTOR - (SHORT AND LONG RANGE)
3	ALARM SIREN
4	KEYPAD
5	DOOR CONTACT
6	PROVIDE ANALOG VOICE LINE.
7	22 AWG 4/C NON-SHIELDED (TYPICAL ALL DEVICES UNLESS NOTED OTHERWISE)

GENERAL NOTES

- ALL WIRING SHALL BE RUN IN CONDUIT UNLESS NOTED OTHERWISE. UTILIZE J-HOOKS IN ACCESSIBLE CEILING SPACE ONLY.
- DAISY CHAINING OF DEVICES NOT PERMITTED.
- ALL WIRING SHALL BE FT6 RATED.

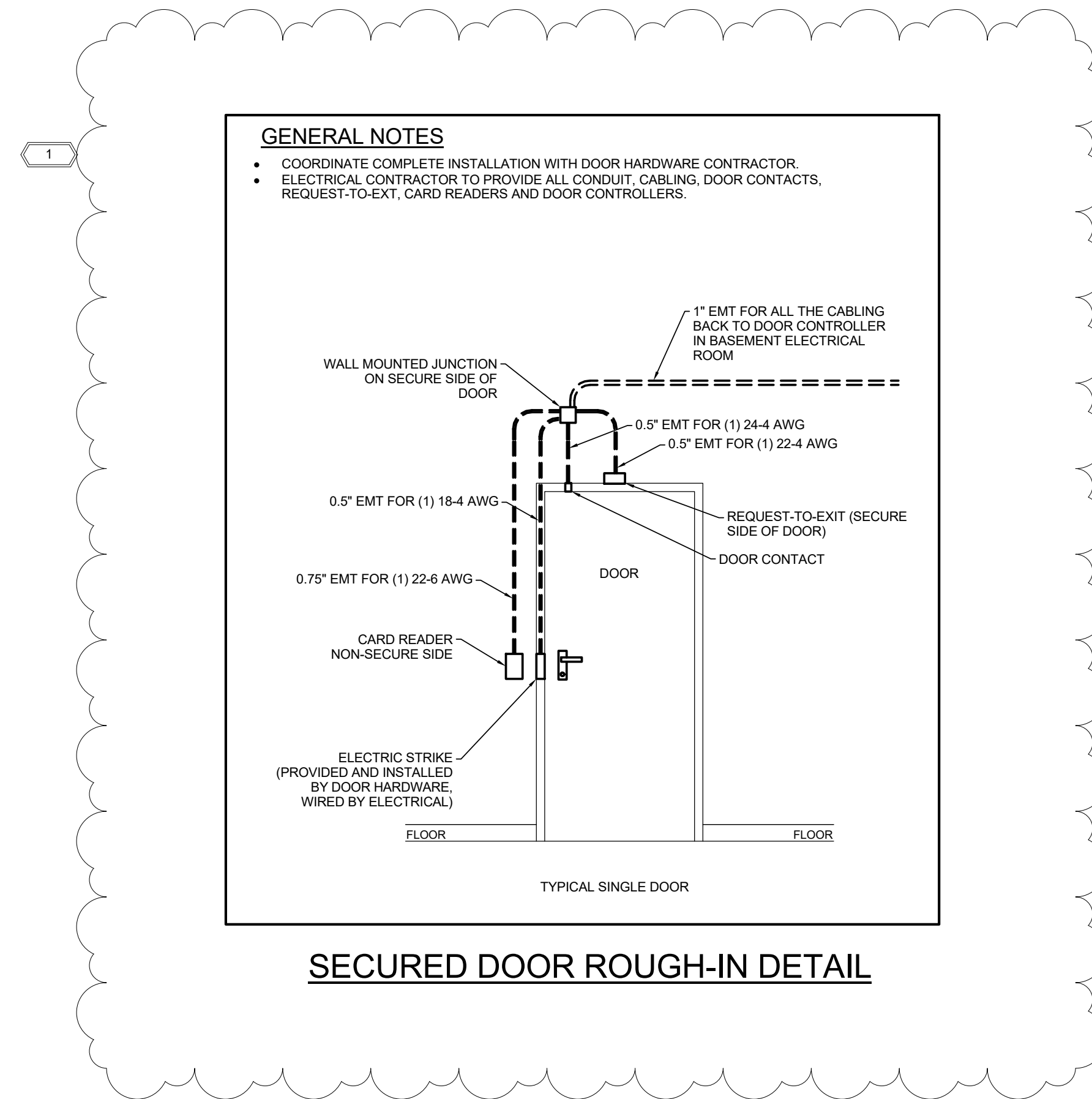
KEY NOTES

- PROVIDE ALL WIRING AND PATHWAY AS REQUIRED FROM DDC ALARM PANEL. COORDINATE REQUIREMENTS WITH MECHANICAL CONTRACTOR TO ENSURE ALARM PANELS ARE C/W REQUIRED INPUTS/OUTPUTS.
- PROVIDE DATA CONNECTION FOR INTRUSION PANEL.

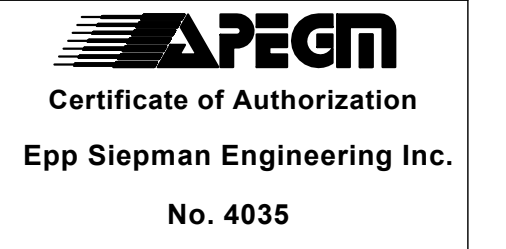


SYSTEMS RACK DETAIL

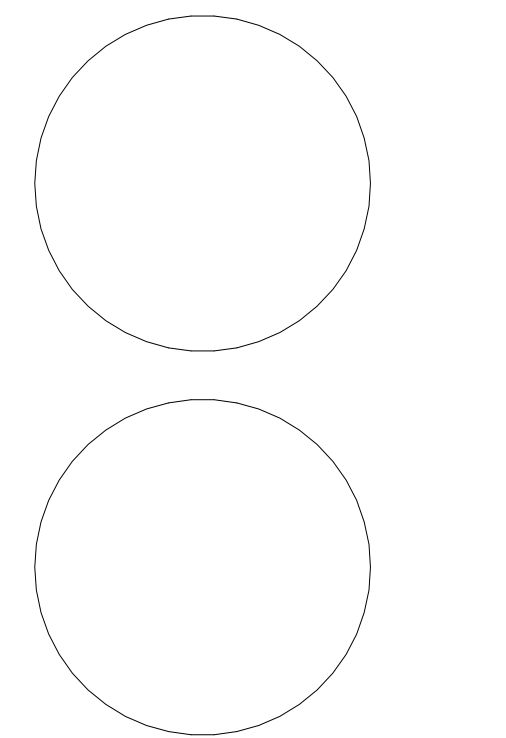
EQUIPMENT LIST	
1	4SU 2135mm (84") 4-POST NETWORK CABINET WITH LOCKABLE DOORS WITH VERTICAL WIRE MANAGEMENT.
2	2U HORIZONTAL WIRE MANAGEMENT
3	#6 AWG COPPER GROUND
4	2U HORIZONTAL VOICE/DATA CABLING PATCH PANEL - 48 PORT
5	1U HORIZONTAL WIRE MANAGEMENT
6	CAT-6 CABLING (FT6/CMP)
7	COMMUNICATION OUTLET
8	COMPUTER - (NIC)
9	TELEPHONE - (NIC)
10	WORK AREA CORD - CONTRACTOR FURNISHED, OWNER INSTALLED
11	TELEPHONE LINE CORD - (NIC)
12	PATCH CORD - CONTRACTOR FURNISHED, OWNER INSTALLED
13	SPACE FOR OWNER FURNISHED AND INSTALLED ACTIVE EQUIPMENT, PAGING EQUIPMENT, AND CCTV EQUIPMENT.
14	GROUND LUG C/W MINIMUM #6 AWG GREEN GROUND TO TMGB
15	TELECOMMUNICATION MAIN GROUNDING BUSS BAR (TMGB), GROUND BUSS TO EIA/TIA607, 6mm (1/4") THICK BY 101mm (4") WIDE, MOUNTED ON STANDOFF INSULATORS.
16	UPS SUPPLIED BY OWNER



SECURED DOOR ROUGH-IN DETAIL



This is a print of a document that has been electronically authenticated with technology authorized by the APEGM. The original is in electronic form.



This drawing must not be scaled. The contractor shall verify all dimensions and other data on site prior to commencement of work. Discrepancies, errors, and omissions are to be reported to Public City Architecture Inc. prior to proceeding with the Work.

Drawings and specifications as instruments of service are the property of Public City Architecture Inc. the copyright in the same being reserved.

No reproduction or revision to these drawings may be made without the permission of Public City Architecture Inc. and when made, must bear their name. All prints to be returned to Public City Architecture Inc. upon request.

Project
ST. JAMES CIVIC CENTRE

Drawing
SYSTEMS RISER DIAGRAM

Drawn By: JP Review By: MP
Scale: NOT TO SCALE Tender No: 1176-2019
Date: 11/06/19
Sheet: E5.5-R1