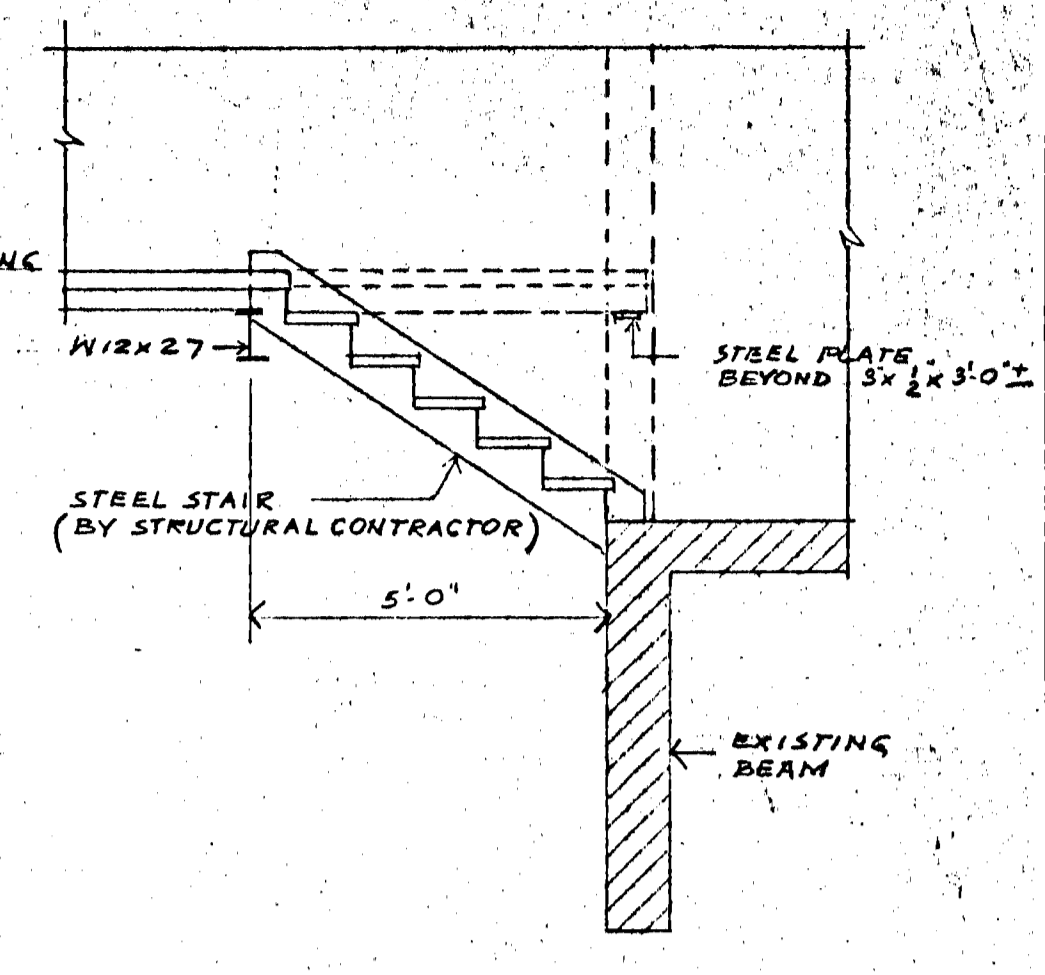
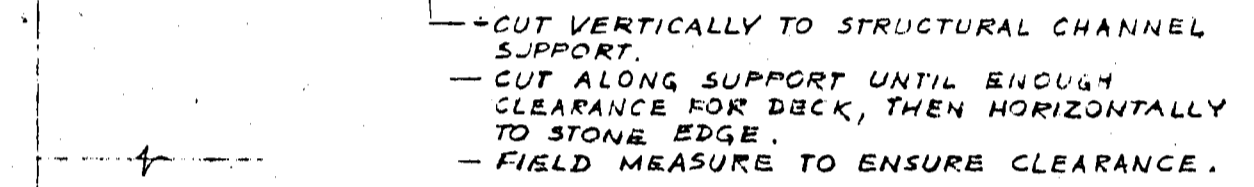


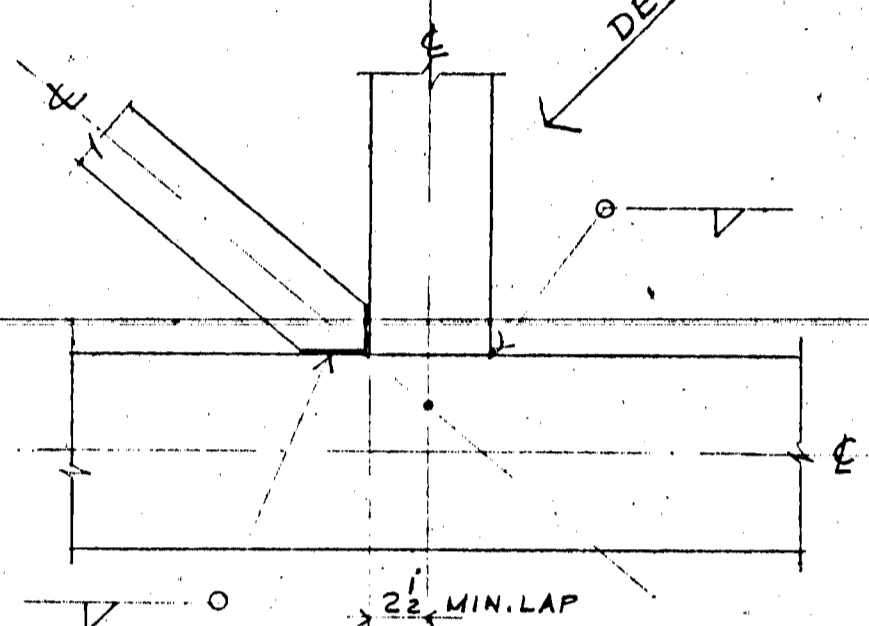
LONGITUDINAL SECTION
SCALE - 1/8" = 1'-0"



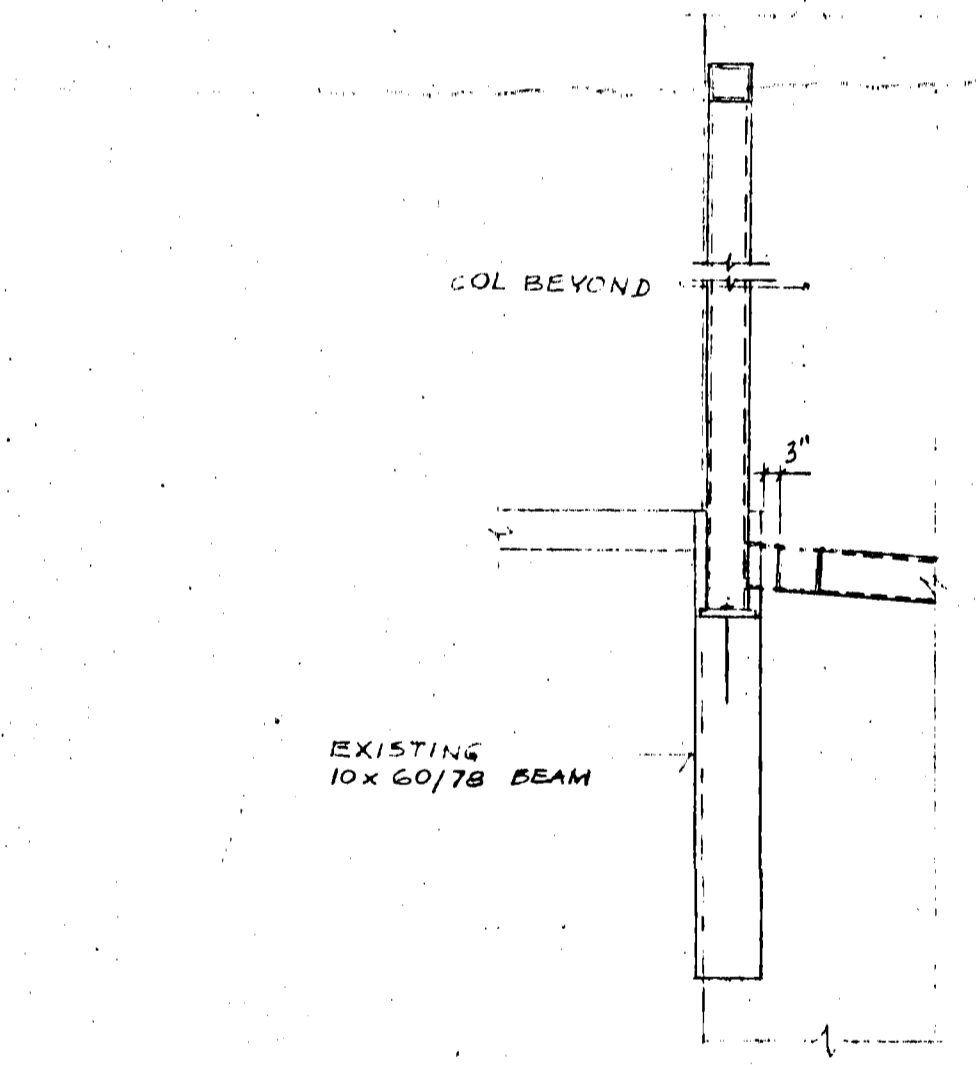
SECTION B
SCALE - 3/8" = 1'-0"



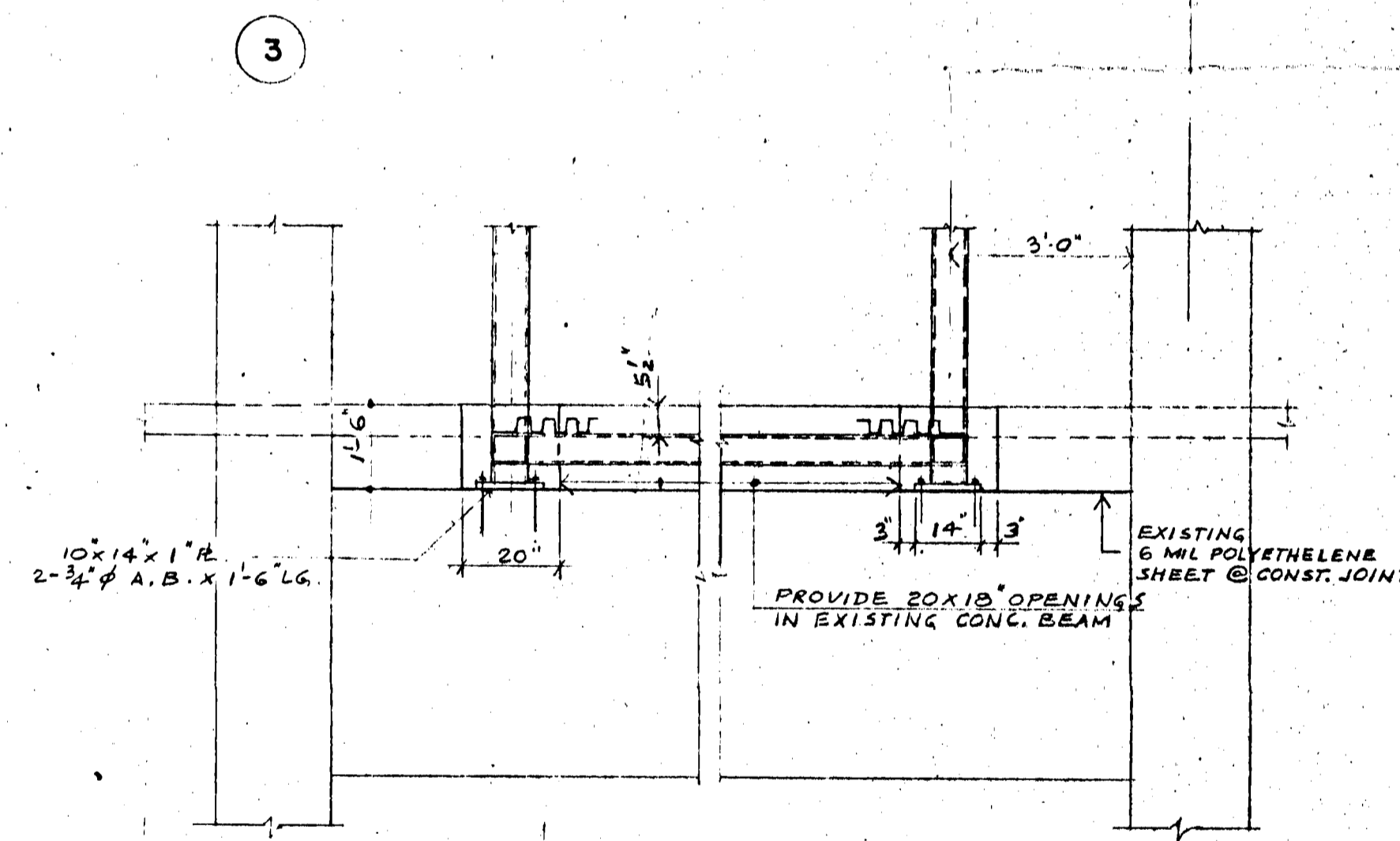
SECTION 6
SCALE - 1/2" = 1'-0"



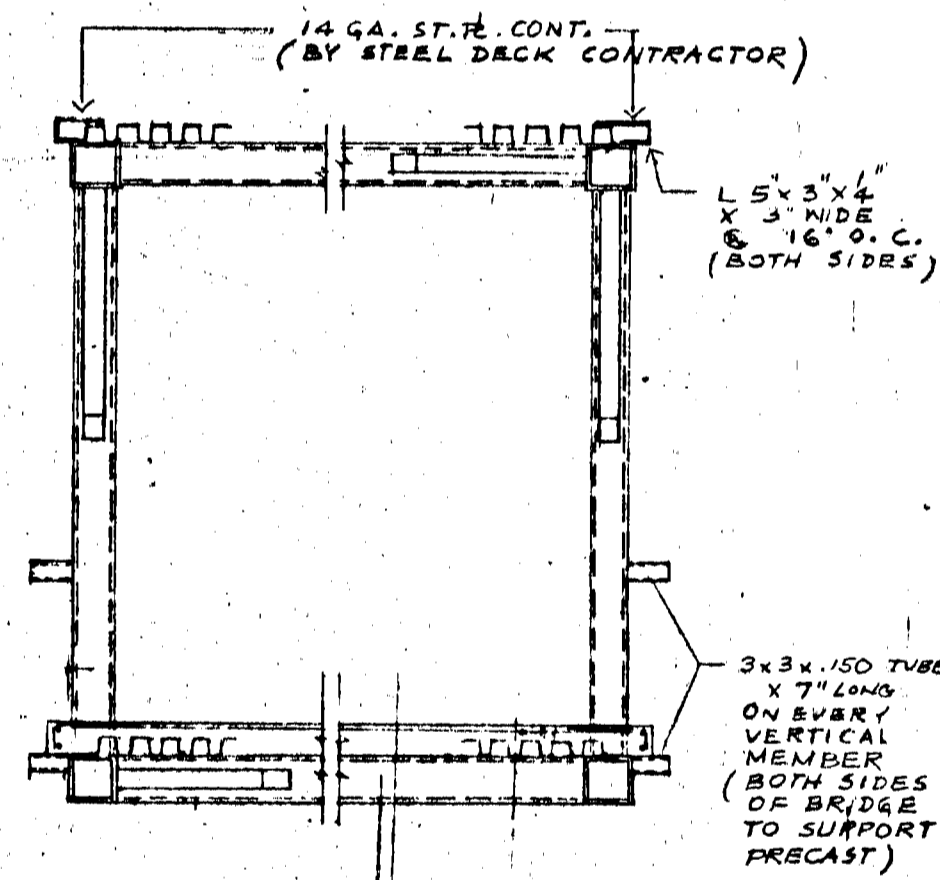
DETAIL 'A'
TYP. FOR ALL JOINTS



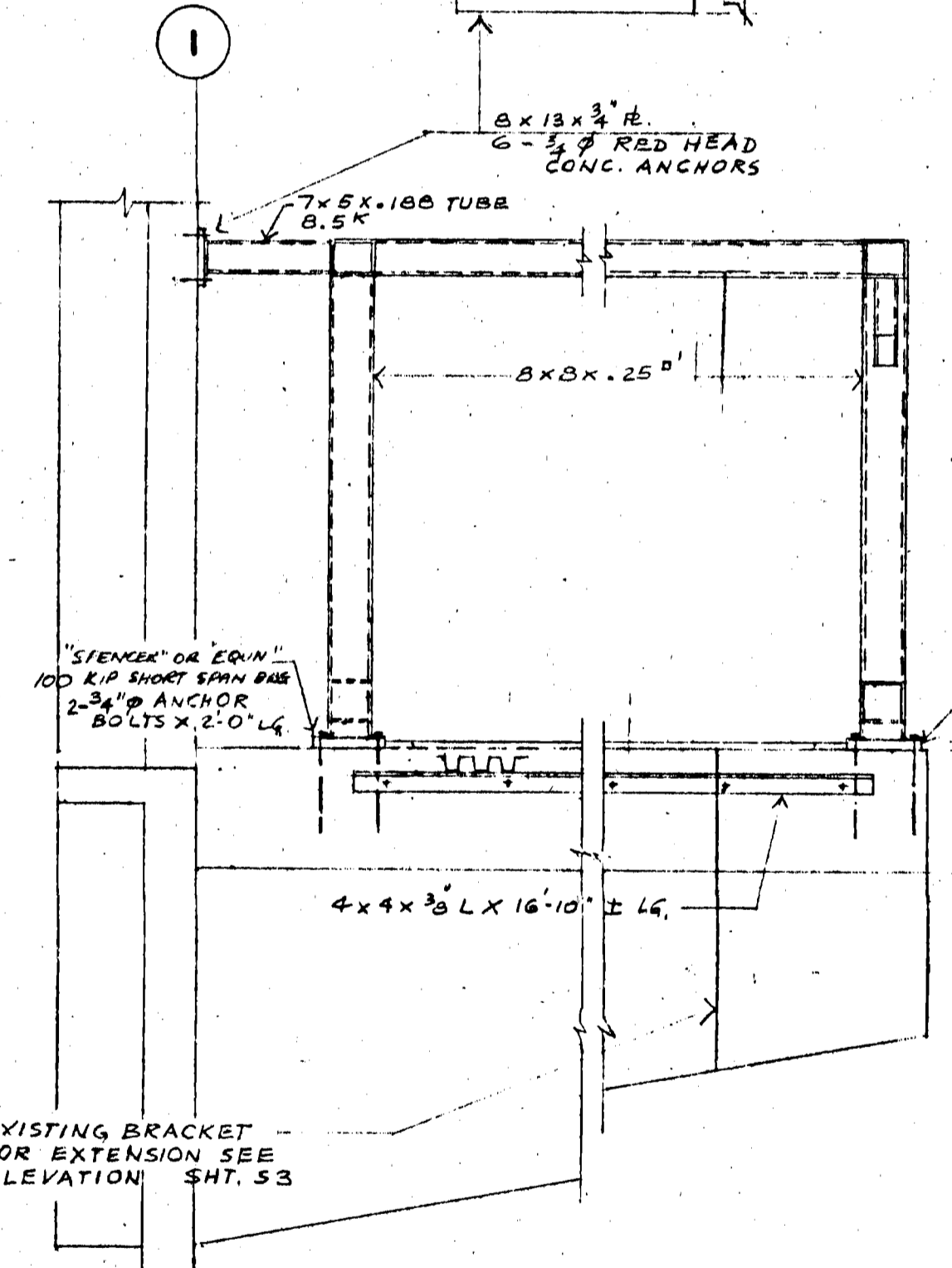
SECTION 1A
SCALE - 1/2" = 1'-0"



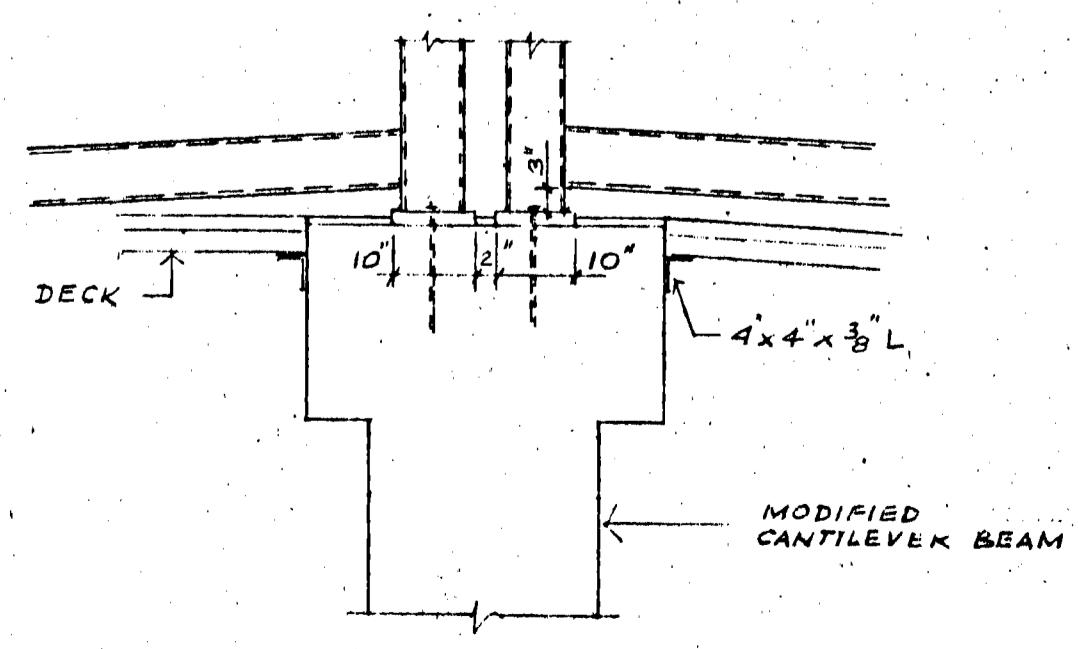
SECTION 2
SCALE - 3/8" = 1'-0"



SECTION 3
SCALE - 3/8" = 1'-0"



SECTION 4
SCALE - 3/8" = 1'-0"



DETAIL 'C'
SCALE - 1/2" = 1'-0"

DATE	DR	REVISION

THIS DRAWING MUST NOT BE SCALED.
THE GENERAL CONTRACTOR SHALL VERIFY ALL DIMENSIONS, DATUMS AND LEVELS PRIOR TO COMMENCEMENT OF WORK. ALL ERRORS AND OMISSIONS TO BE REPORTED IMMEDIATELY TO THE ARCHITECT.
VARIATIONS & MODIFICATIONS TO WORK SHOWN ON THESE DRAWINGS SHALL NOT BE CARRIED OUT WITHOUT WRITTEN PERMISSION FROM THE ARCHITECT.
THIS DRAWING IS THE EXCLUSIVE PROPERTY OF THE ARCHITECTS AND CAN BE REPRODUCED ONLY WITH THE PERMISSION OF THE ARCHITECTS, IN WHICH CASE THE REPRODUCTION MUST BEAR THEIR NAME AS ARCHITECTS.

WINNIPEG CONSORTIUM
THE U.M. ARCHITECTURAL GROUP
THE MEMBER T.M. ARCHITECTURAL GROUP
ARCHITECTS
100 York Street, Winnipeg, Manitoba R3C 0P9
Telephone (204) 941-5444

ASSOCIATE ARCHITECT

CONSULTING ENGINEER
CROSIER, GREENBERG & PARTNERS
CONSULTING CIVIL AND STRUCTURAL ENGINEERS
100 York Street, Winnipeg, Manitoba R3C 0P9
Telephone (204) 941-5444

ARCH. SEAL
ENG. SEAL
T. GAUL
REGISTERED ENGINEER

PROJECT
PEDESTRIAN WALKWAY No. 1
FROM
THE WINNIPEG CONVENTION CENTRE
TO
THE HOLIDAY INN

SHEET TITLE SECTIONS & DETAILS		
AUG 08 1974		
DRAWN BY	DATE	SHEET NO.
CHECKED BY	PROJECT NO.	FILE NO.

B-14
FILE
RETURN TO CIVIC
PROPERTIES BUILDING
INVENTORY.
6081