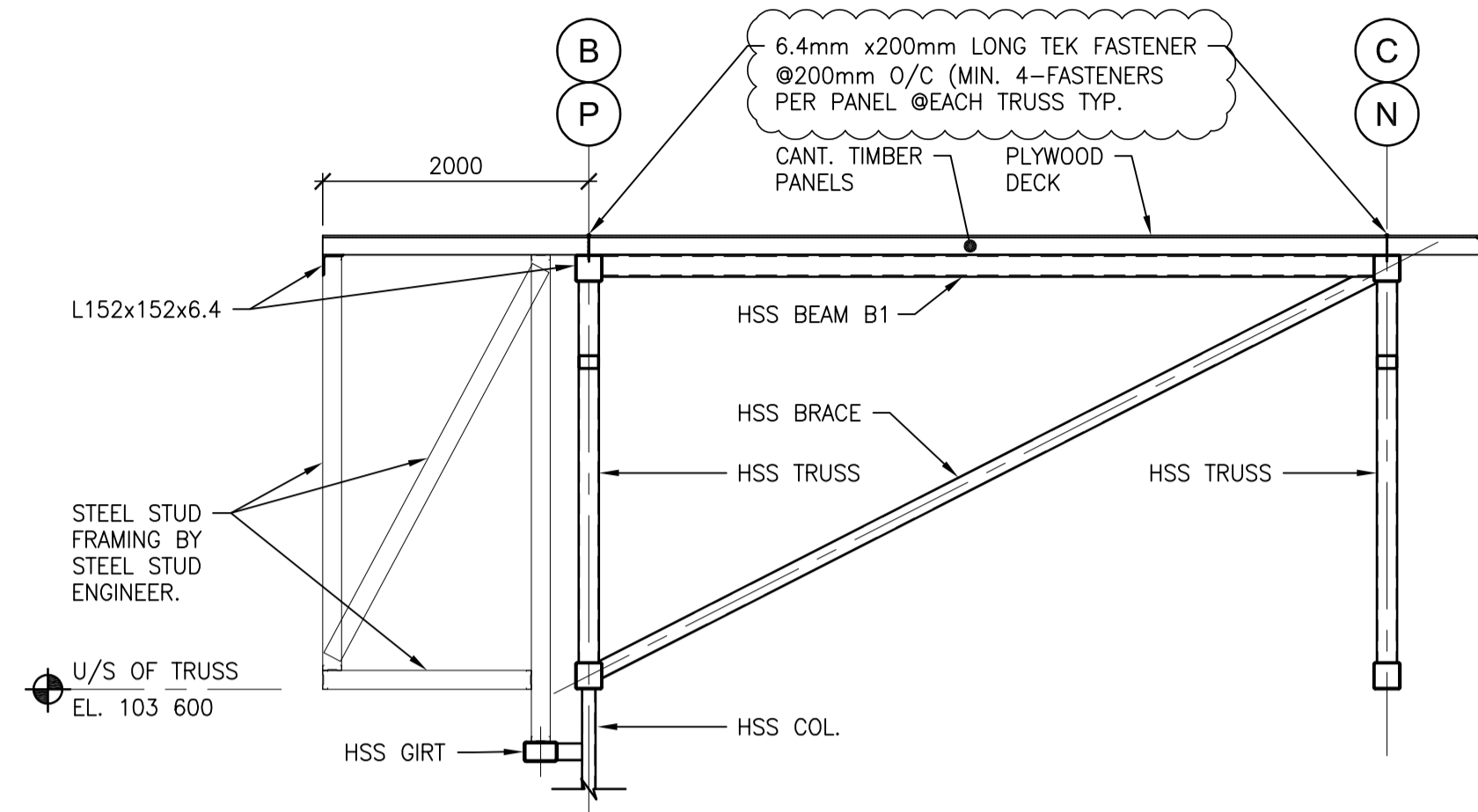
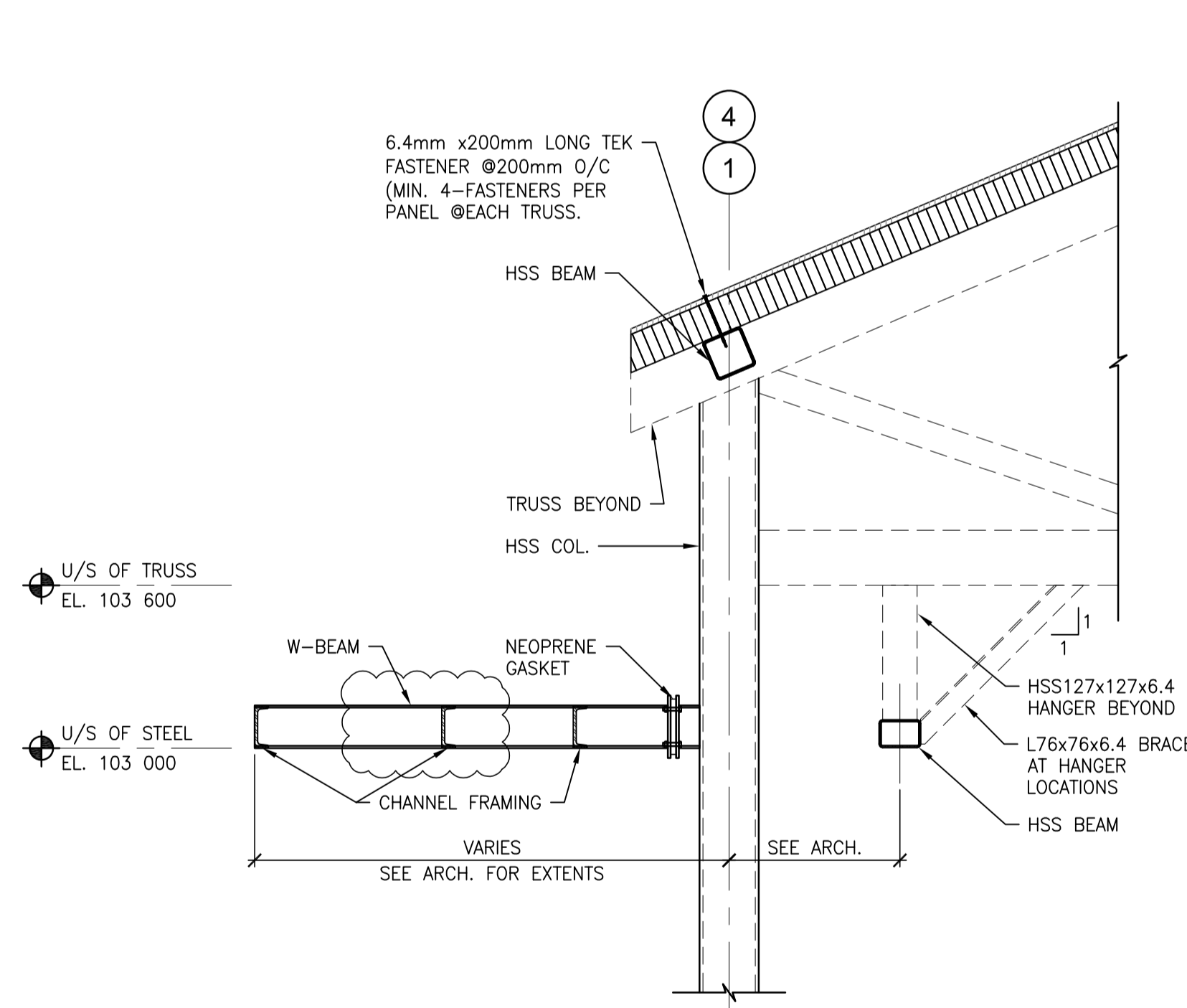


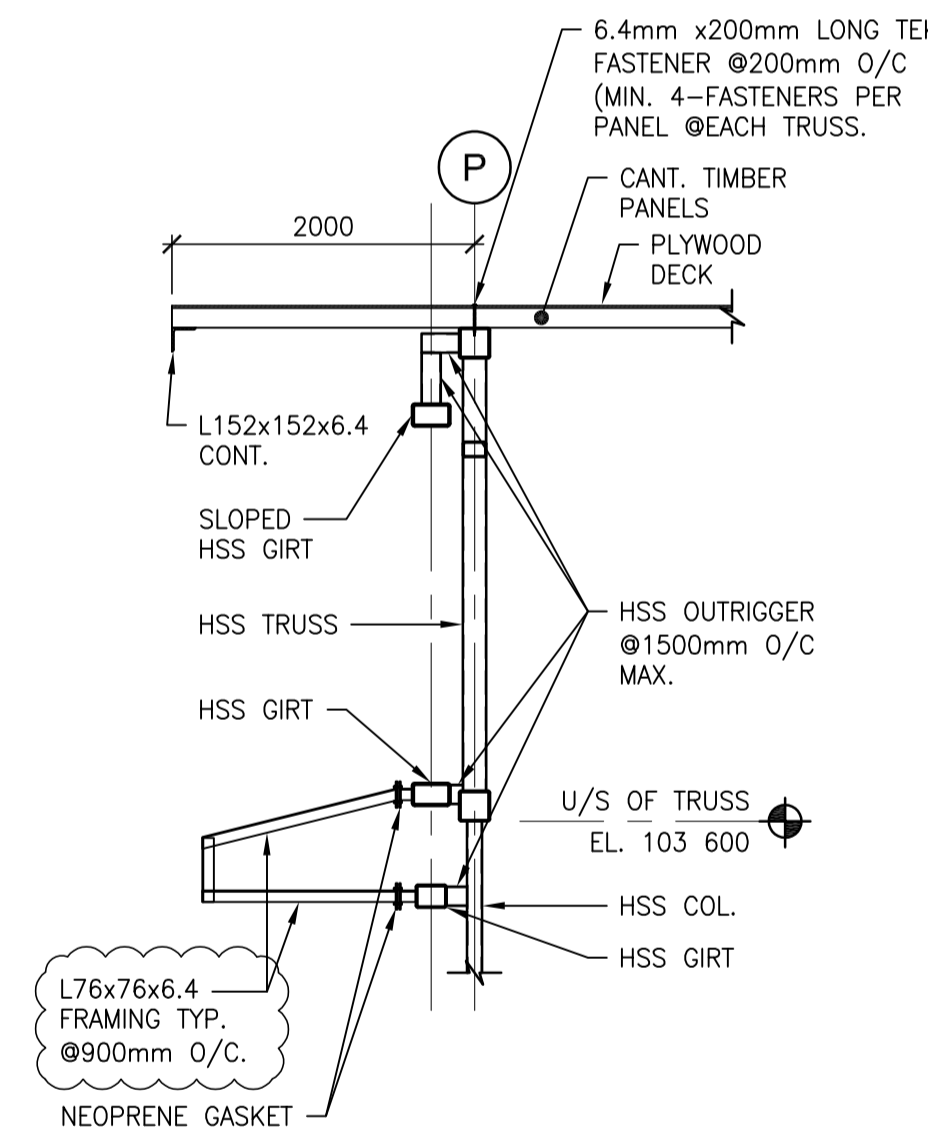
1 SECTION
S3.3 SCALE: 1:50



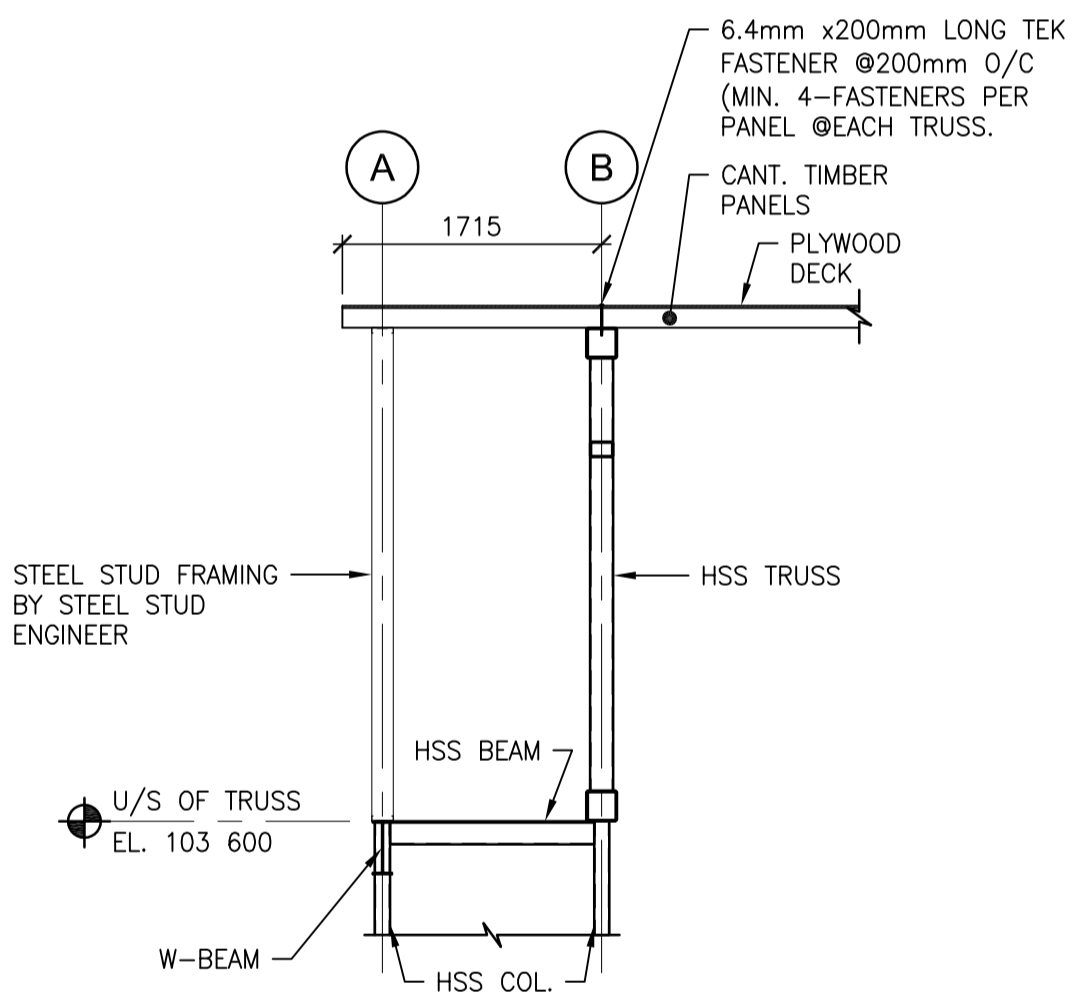
2R1 SECTION
S3.3R1 SCALE: 1:50



3R1 SECTION
S3.3R1 SCALE: 1:20



4R1 SECTION
S3.3R1 SCALE: 1:50



5 SECTION
S3.3 SCALE: 1:50

<p>TOWER PROJECT NO. : 181335 TOWER ENGINEERING GROUP UNIT 1-1140 WAVERLEY ST. WINNIPEG, MB R3T 0P4 TEL: (204) 925-1150 FAX: (204) 925-1155 EMAIL: towereng@towereng.ca WEB: www.towereng.ca • WINNIPEG • CALGARY</p>	6. 2019-08-08 Addendum No. 01 LHT												
	5. 2019-07-08 Issued for Construction LHT												
	4. 2019-06-26 Issued for 100% Pre-Tender Review LHT												
	3. 2019-05-13 Issued for Pre-Tender Review LHT												
	2. 2019-02-22 Design Development LHT												
	1. 2018-12-17 Schematic Design Review LHT												
<table border="1"> <thead> <tr> <th>No.</th> <th>Date</th> <th>Issue / Revision</th> <th>By</th> </tr> </thead> <tbody> <tr> <td colspan="4">Drawn By: BKF</td> </tr> <tr> <td colspan="4">Printing Date:</td> </tr> </tbody> </table>	No.	Date	Issue / Revision	By	Drawn By: BKF				Printing Date:				<p>Certificate of Authorization Tower Engineering Group No. 4156 Expiry: April 30, 2020</p>
No.	Date	Issue / Revision	By										
Drawn By: BKF													
Printing Date:													
<p>LM Architectural Group www.lm-architects.com</p>	<p>500-136 Market Ave Winnipeg Manitoba Canada R3B 0P4 t: (204) 942.0681 f: (204) 943.8676</p>												

Drawings and specifications, as instruments of service are the property of the architects, the copyright in the same being reserved to them. No reproduction may be made without the permission of the architects, and when made, must bear their names. All prints to be returned.

The contractor is to verify dimensions and data noted herein with conditions on the site and is held responsible for reporting any discrepancy to the architects for adjustment.

Bill and Helen Norrie Library

Project No.: 2017-082
 Tender No.: 542-2019
 Address: 15 Poseidon Bay, Winnipeg, MB.

Sections & Details

Comm. No.: 1847

Sheet: **S3.3R1**