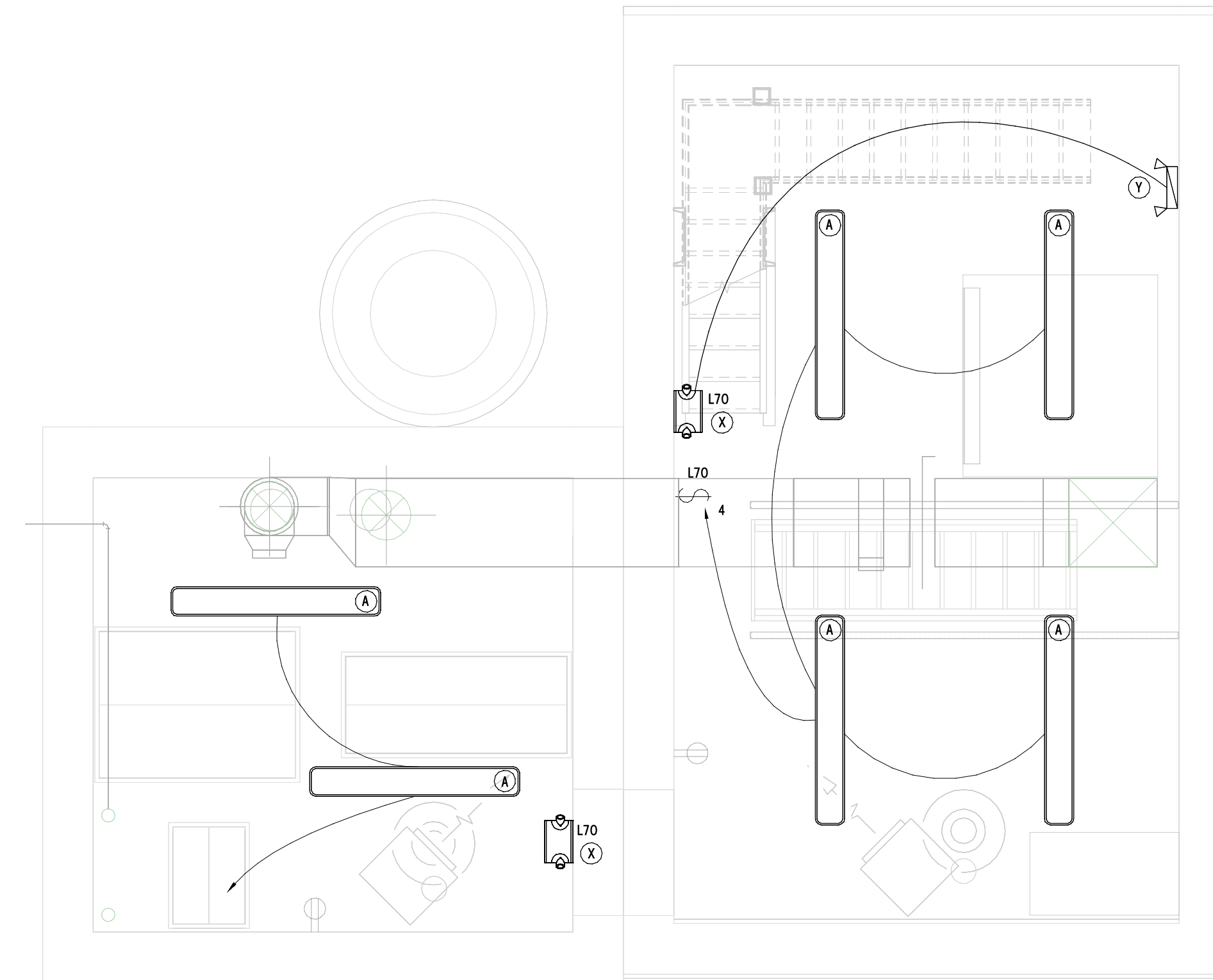
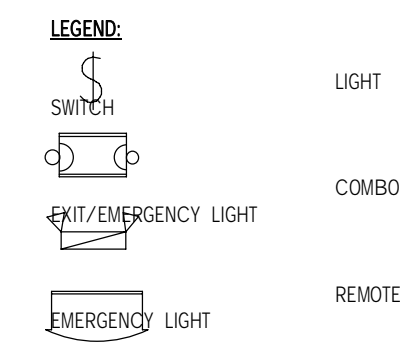


FINISHED FLOOR (LIGHTING)
SCALE: 1 : 25



ACCESS LEVEL (LIGHTING)
SCALE: 1 : 25

LUMINAIRE SCHEDULE					
TYPE	MANUFACTURER	CAT. NO.	LAMP	VOLTAGE	REMARKS
A	AIMLITE METALUX DAY-BRITE	WP4- LA1A- 4- 40K- SS- 10KV 4V73- LD5- 4000- G- UNV- L840- SSL- U DWAE- 43L- 840- 4- UNV- SSL	LED	120 V	CORROSION RESISTANT
X	AIMLITE BEGHELLI EMERGI- LITE	CRPN- 12- 036- 1- WHT- 2- ATD- 5W FT2- C- RM- 12- 40- L- 1- OLR- U- 5W- LED- AT- BB ENC1W12N60L1	LED	120 V	NEMA 4X, COMB. EXIT/EMERG. LIGHT W/BATTERY BANK
Y	AIMLITE BEGHELLI EMERGI- LITE	RMN2- 12- 24V- 5WLA- WHT BOL- WP- R- 2- 12V5W- LED EF39PDM- LJ	LED	12- 24 V	DUEL HEAD REMOTE EMERGENCY LIGHT
Z	COPPER LIGHTING GARDCO	ENV- B01- LED- E1- BL2- BZ- PC- WG 104L- 16L- 530- WW- G1- 2- UNV- PCB- BZ	LED	120 V	CORROSION RESISTANT, PROVIDE PHOTOCELL, WIRE GUARD



ISSUED FOR ADDENDUM No. 4

NOT FOR CONSTRUCTION



DESIGNED BY: CAL		CHECKED BY: BLM	
DRAWN BY: CAL		APPROVED BY: BLM	
FOR SCALE: 1:25		RELEASED FOR CONSTRUCTION	
NO. 1		DATE: 09/18/19	
NO. 2		DATE: 03/10/19	
NO. 3		DATE: 09/18/19	
NO. 4		DATE: 03/10/19	

ENGINEER'S SEAL
CONSULTANT PROJECT NUMBER 19-9259

THE CITY OF WINNIPEG
WATER AND WASTE DEPARTMENT

JESSIE ST. PUMPING STATION UPGRADES

FINISHED LEVEL & ACCESS LEVEL
FLOOR PLAN - LIGHTING

CITY DRAWING NUMBER: 1-0149L-E0005-001
SHEET 31 OF 34
CONSULTANT DRAWING NUMBER: E-04