

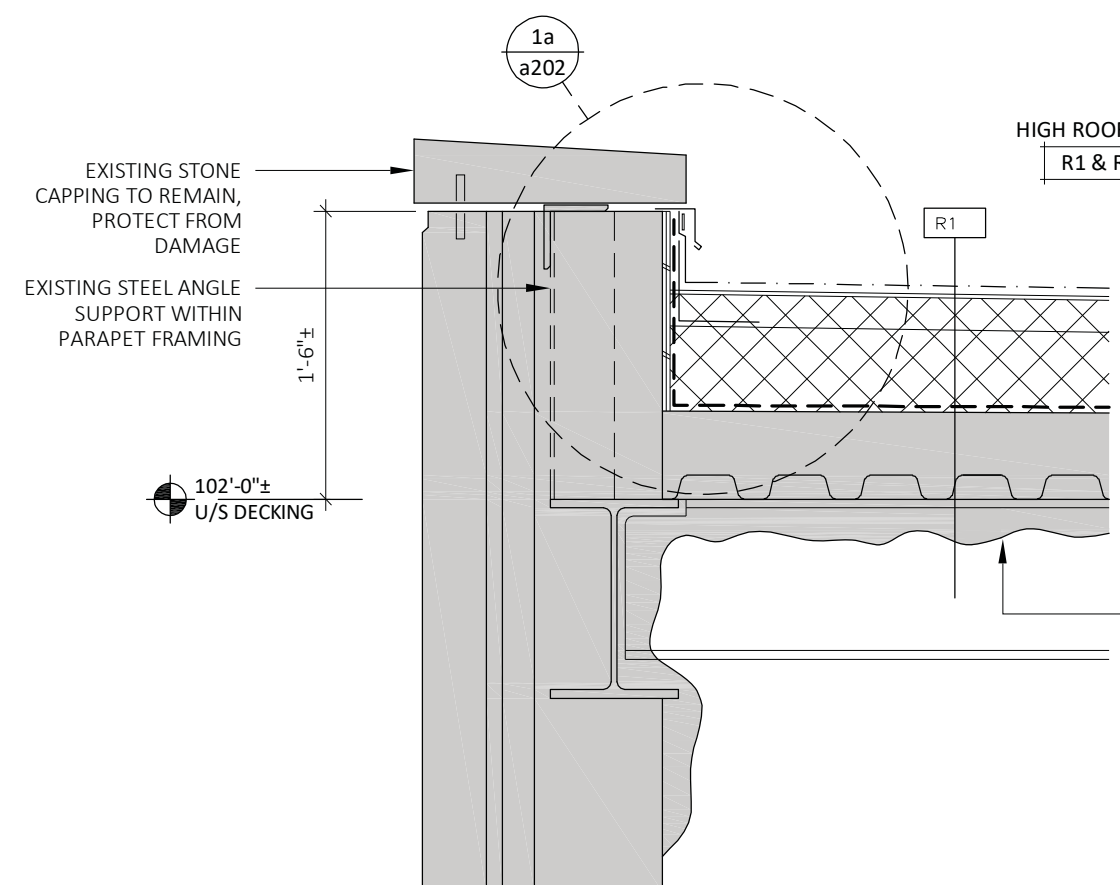
4
Issued Addendum 4 08.13.2020
3
Issued Addendum 3 08.10.2020
Issued for Construction 07.17.2020
Issued for 66% 09.20.2019

This drawing must not be scaled. Contractor responsible for all dimensions and details. No reproduction may be made without permission.

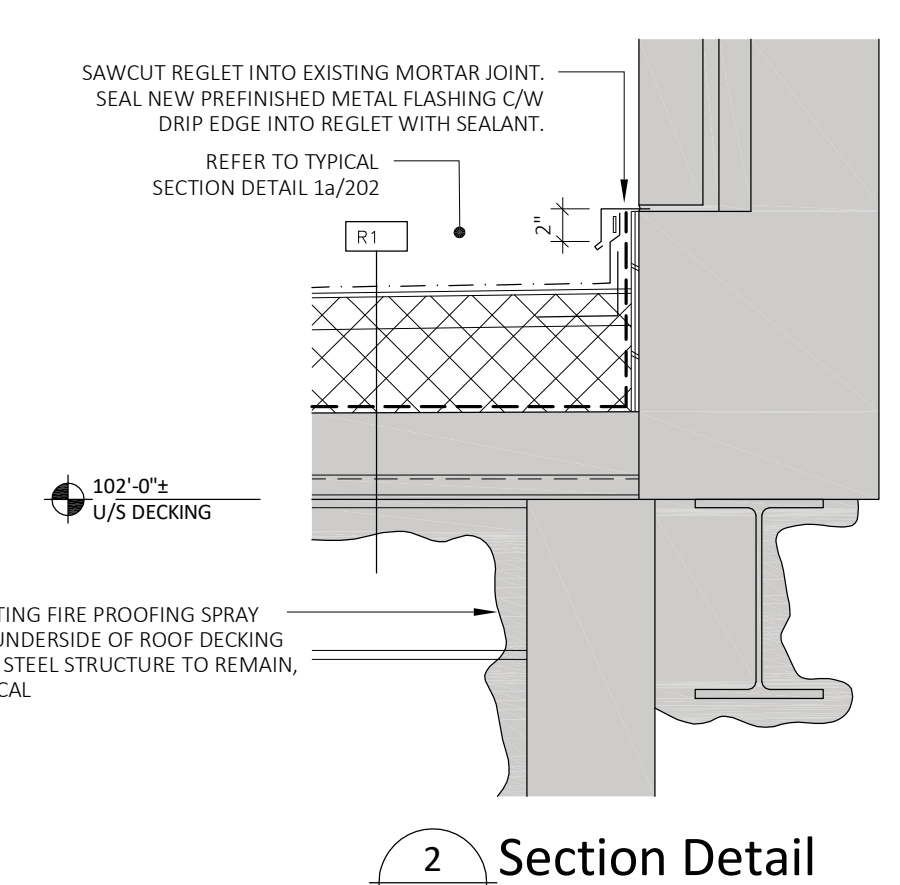


PROJECT: City Hall Administration Building Roof Replacement
510 Main Street
CLIENT: City of Winnipeg

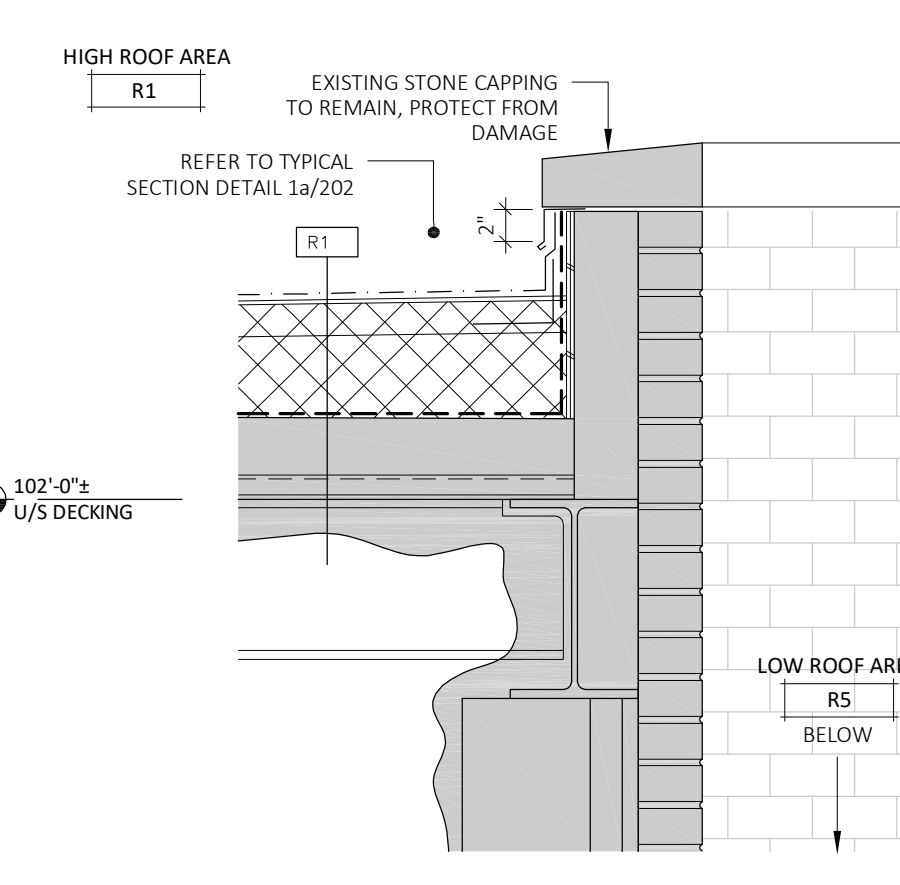
APPROVED BY: J. Machnicki
DATE: July 2020
BID OPPORTUNITY: 430-2020
PROJECT NO.: 19-041
DWG NO.: a202



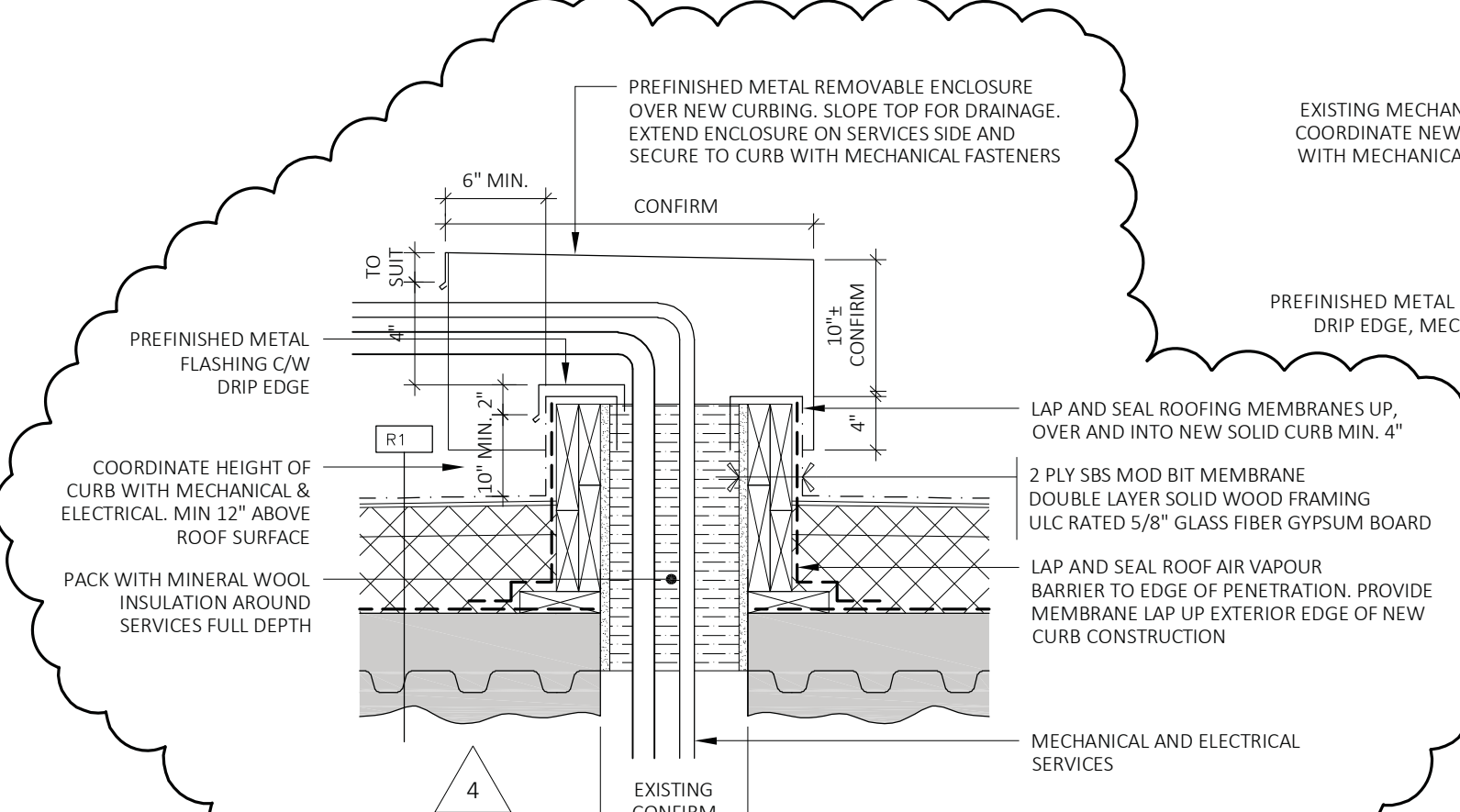
1 Section Detail
1" = 1'-0"
a202
TYPICAL @ PERIMETER PARAPETS



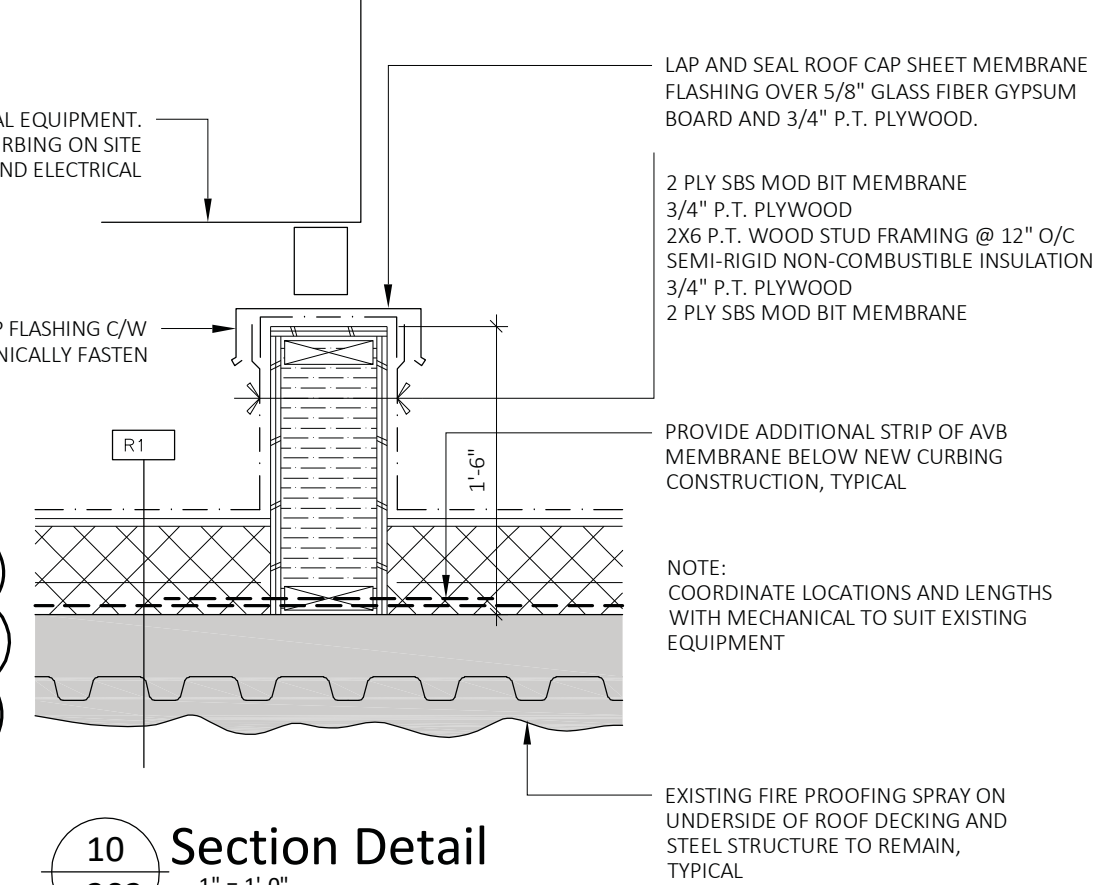
2 Section Detail
1" = 1'-0"
a202
TYPICAL @ INTERIOR ROOF-WALL JUNCTIONS



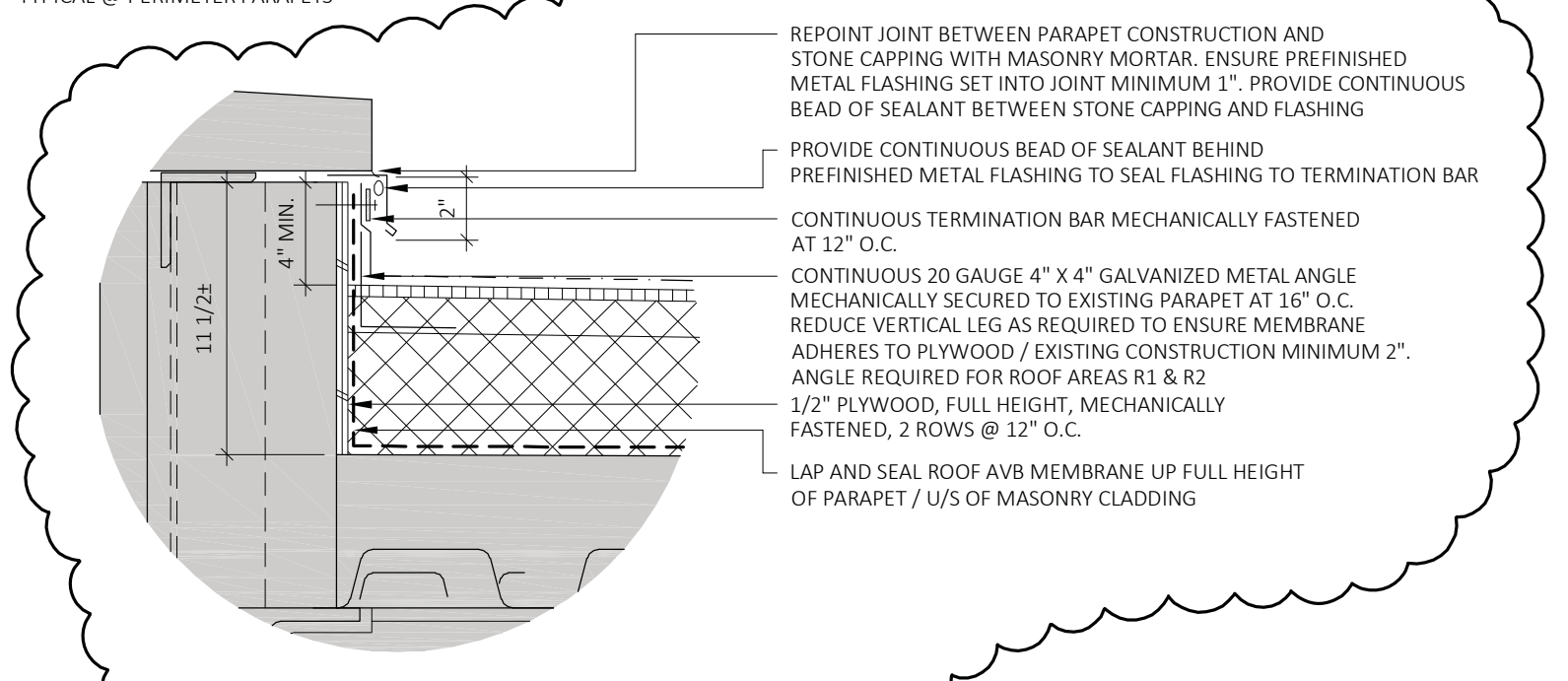
3 Section Detail
1" = 1'-0"
a202
TYPICAL @ HIGH ROOF AREA



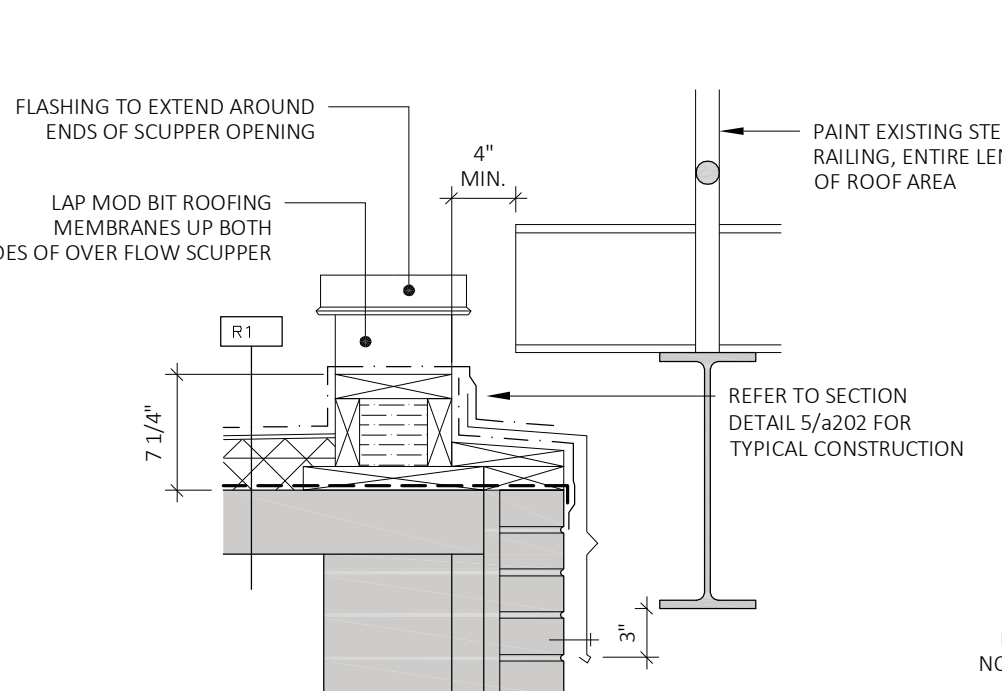
4 Section Detail
1" = 1'-0"
a202
TYPICAL @ MULTIPLE SERVICE PENETRATION



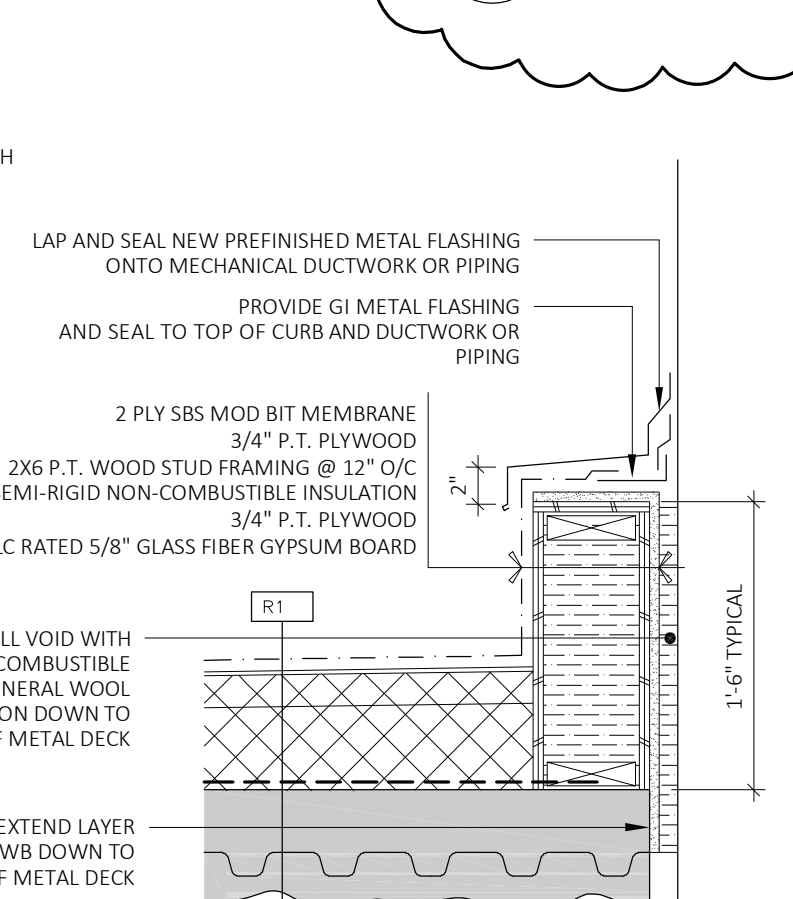
10 Section Detail
1" = 1'-0"
a202
TYPICAL @ MECHANICAL SERVICE



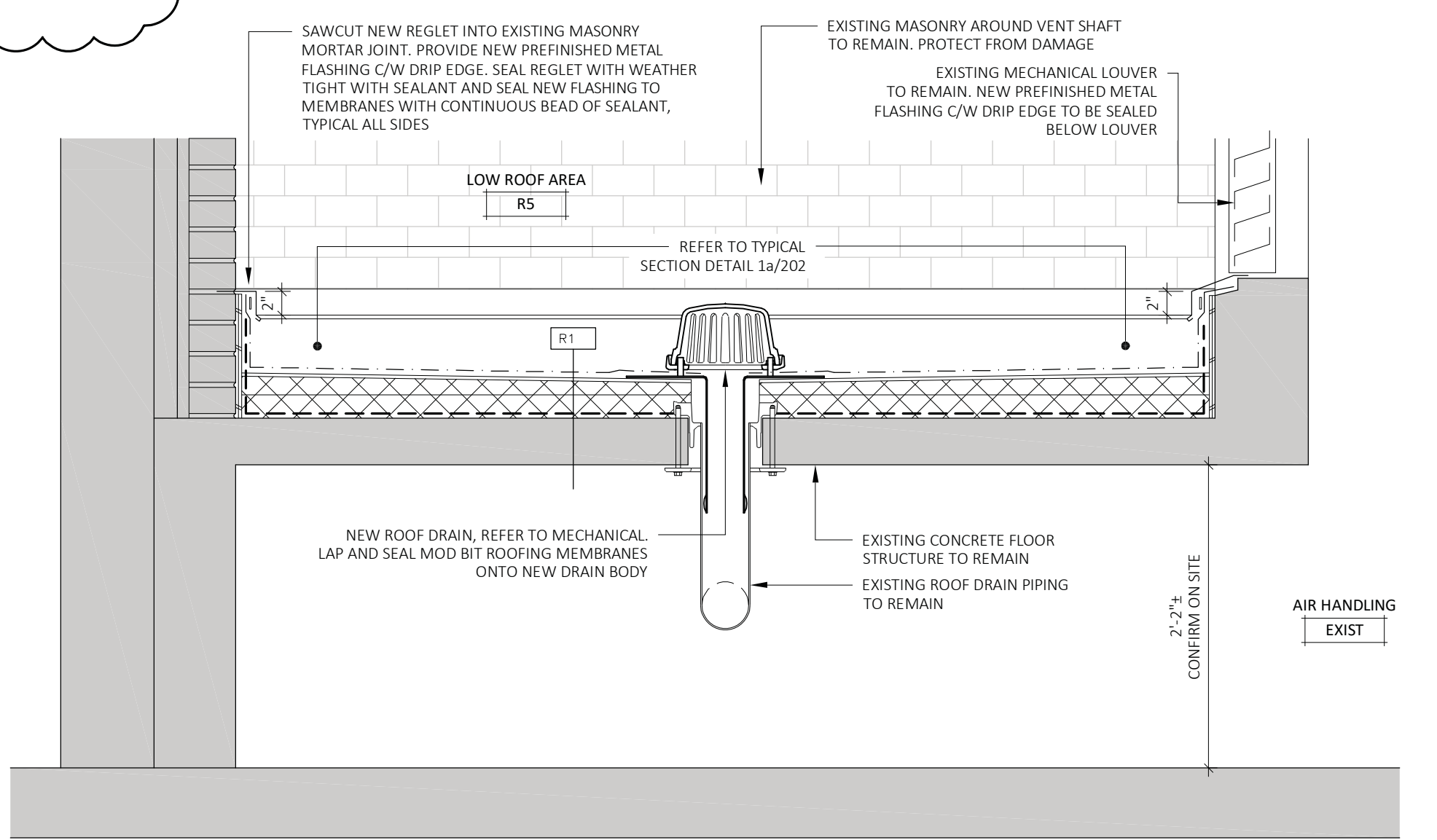
1a Section Detail
1" = 1'-0"
a202
TYPICAL CONSTRUCTION AT PARAPETS & ROOF WALL JUNCTIONS U.N.O.



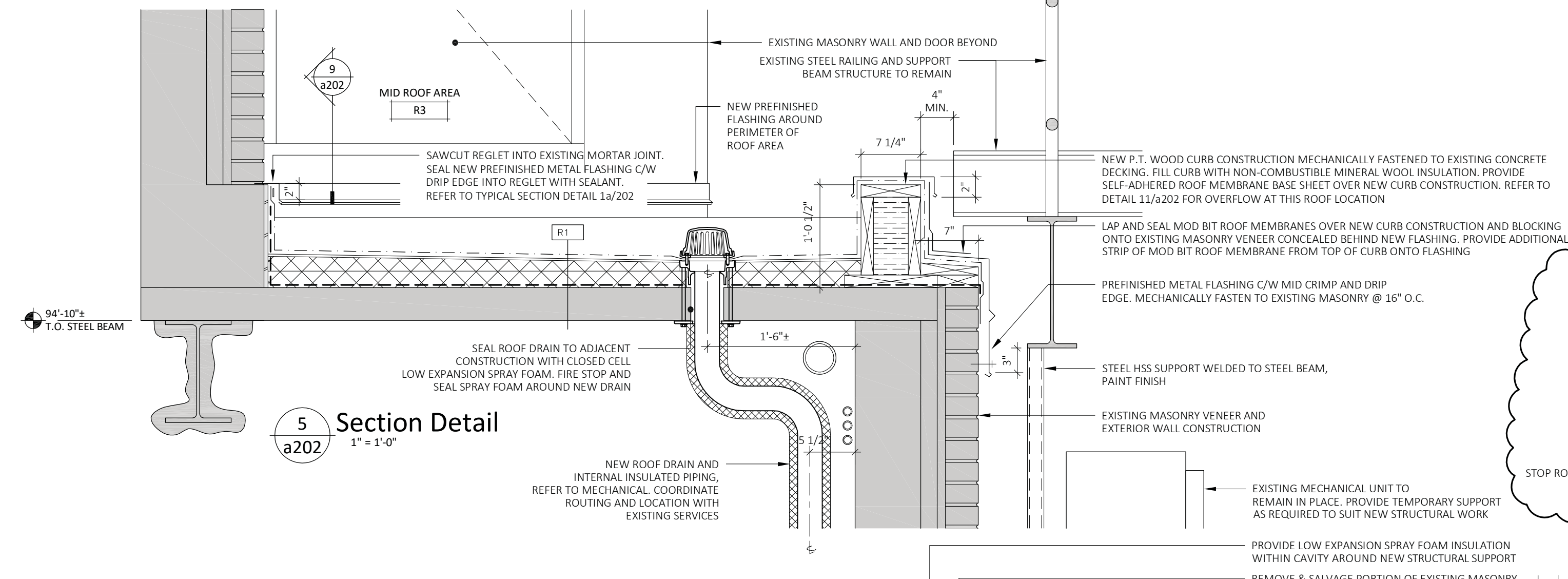
11 Section Detail
1" = 1'-0"
a202
@ MID ROOF AREA R3 OVERFLOW SCUPPER



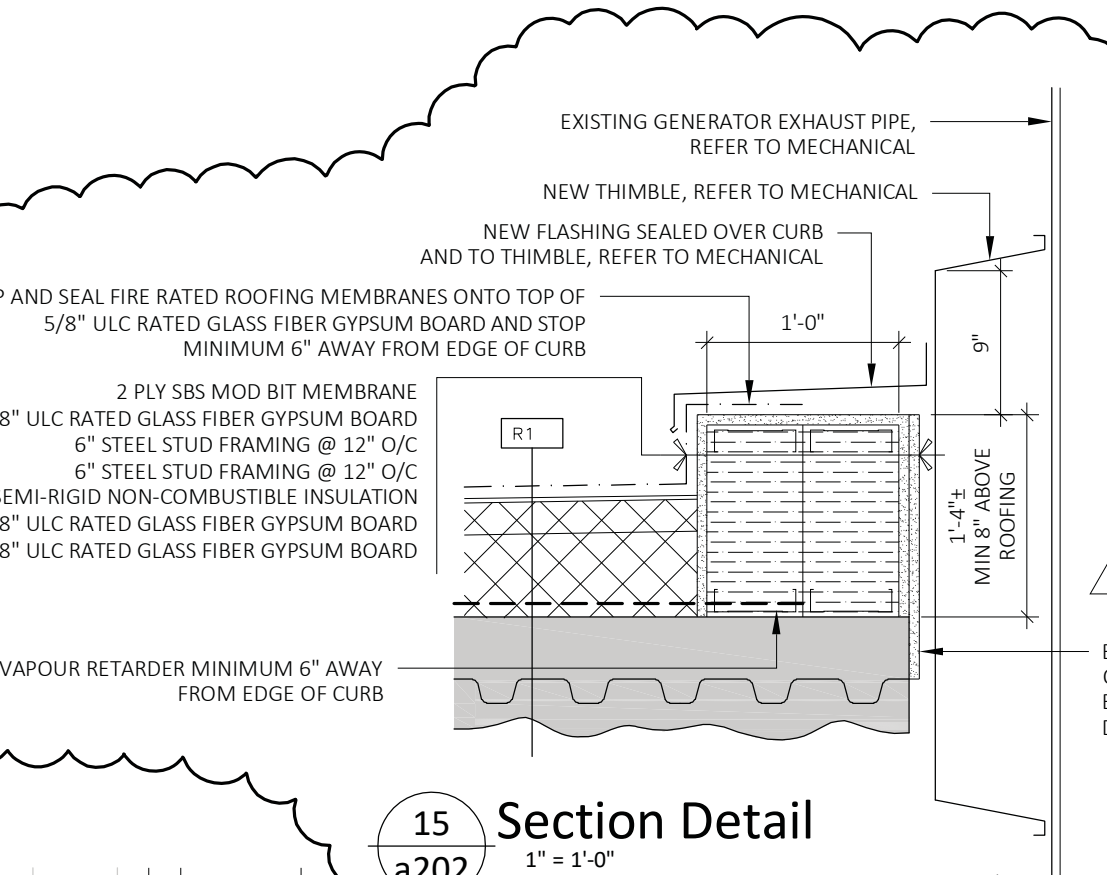
14 Section Detail
1" = 1'-0"
a202
TYPICAL @ MECHANICAL SERVICE



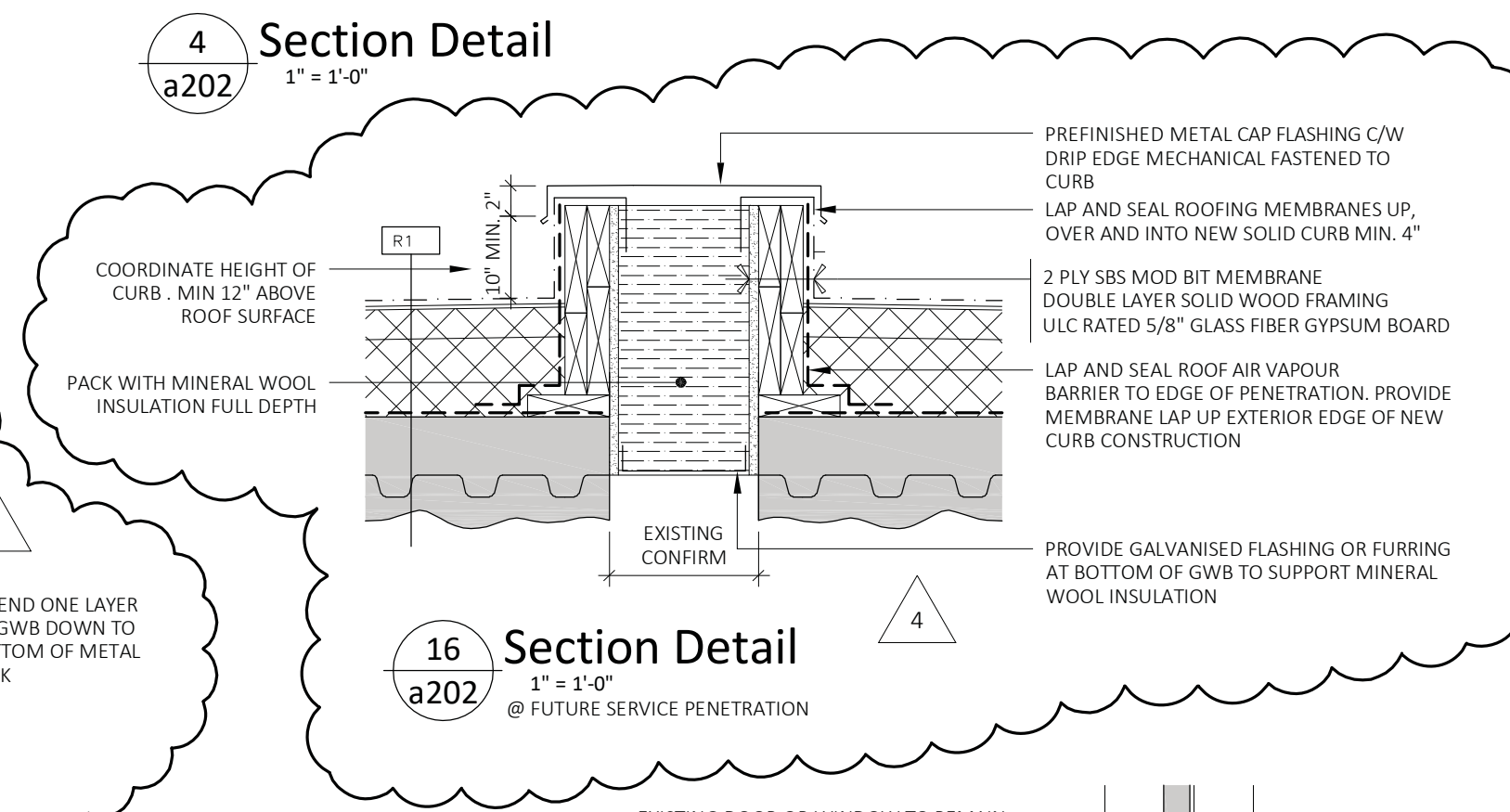
4 Section Detail
1" = 1'-0"
a202
TYPICAL @ MECHANICAL SERVICE



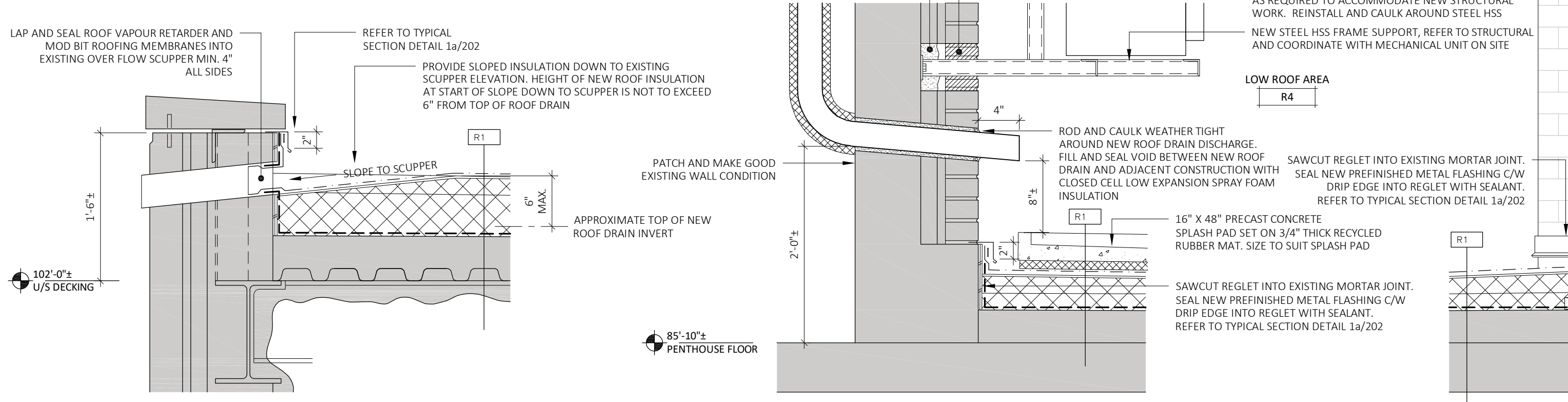
5 Section Detail
1" = 1'-0"
a202
TYPICAL @ MID ROOF AREA R3



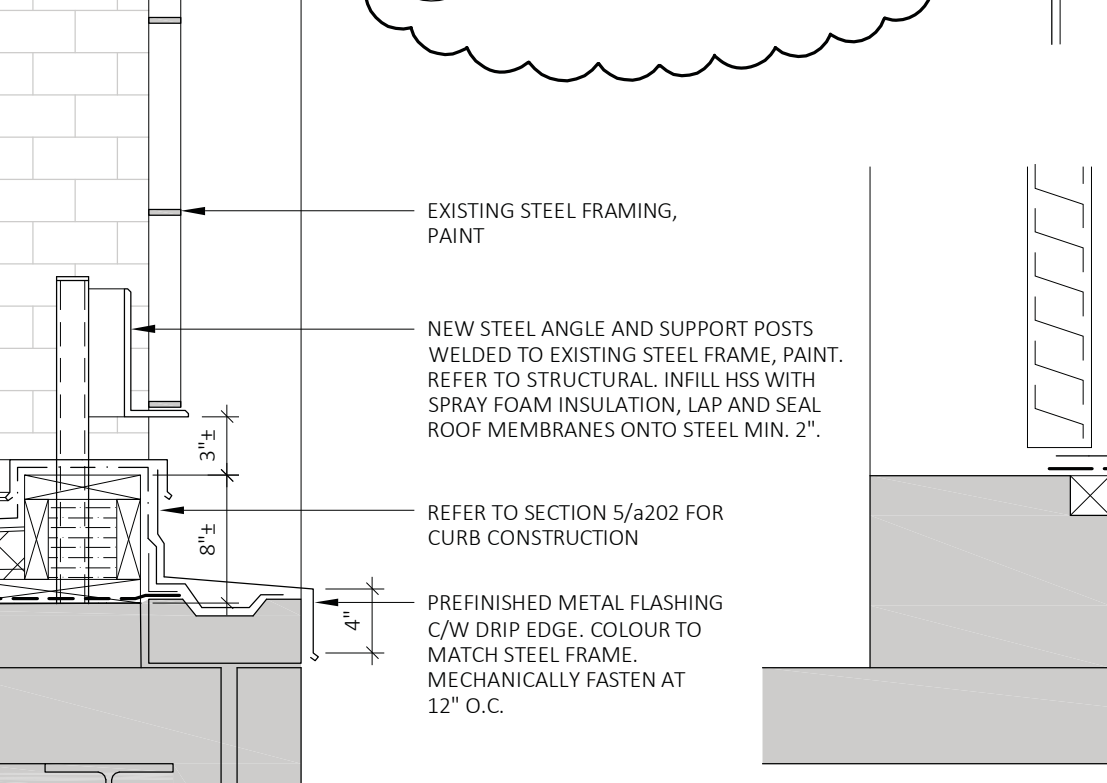
15 Section Detail
1" = 1'-0"
a202
AT GENERATOR EXHAUST



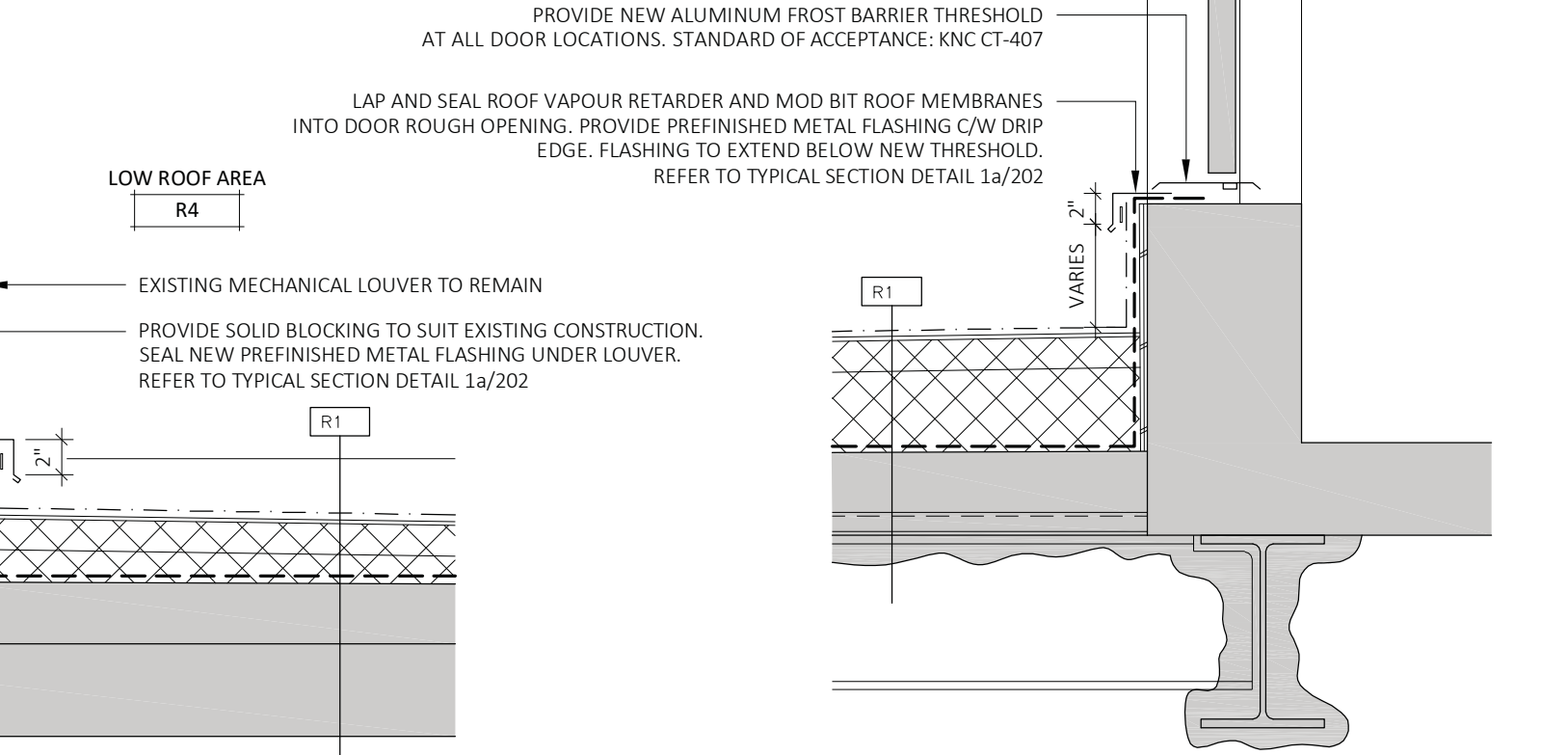
16 Section Detail
1" = 1'-0"
a202
@ FUTURE SERVICE PENETRATION



6 Section Detail
1" = 1'-0"
a202
TYPICAL @ HIGH ROOF AREA OVERFLOW SCUPPER



7 Section Detail
1" = 1'-0"
a202
TYPICAL @ HIGH ROOF AREA OVERFLOW SCUPPER



9 Section Detail
1" = 1'-0"
a202
TYPICAL @ DOORS

12 Section Detail
1" = 1'-0"
a202
TYPICAL @ HIGH ROOF AREA OVERFLOW SCUPPER