

SEE SHEET B-6

SEE SHEET B-4

LOCATION OF UNDERGROUND STRUCTURES AS SHOWN ARE BASED ON BEST INFORMATION AVAILABLE BUT NO GUARANTEE IS GIVEN THAT ALL EXISTING UTILITIES ARE SHOWN AND EXACT LOCATIONS OF ALL UNDERGROUND INCLUDING SERVICE CONNECTIONS MUST BE CHECKED WITH THE UTILITY CONCERNED BEFORE PROCEEDING WITH CONSTRUCTION.

M.H. DEPTH PAV'T. TO FLOOR	○
HYDRANT	⊕
WATER VALVES	⊕
SERVICE BOX	○
CATCH BASIN	○
ST. LIGHTING POLE	○
SURVEY BAR	○
W.H.E.S.	—
W.E.CO.	—
M.T.S.	—
CITY SIGNALS	—
ST. LIGHTING	—
SEWER (S)	—
WATERMANS	—
GAS	—
W.H.E.S. STEAM HT.	—
W.C.H.T.CO. STEAM HT.	—
C.P.R.Y. TELEGRAPHS	—
C.N.R.Y.	—

NOTE - ALL S.H. DUCTS APPROX. 2' SQ.
G.C. - GATE CHAMBER

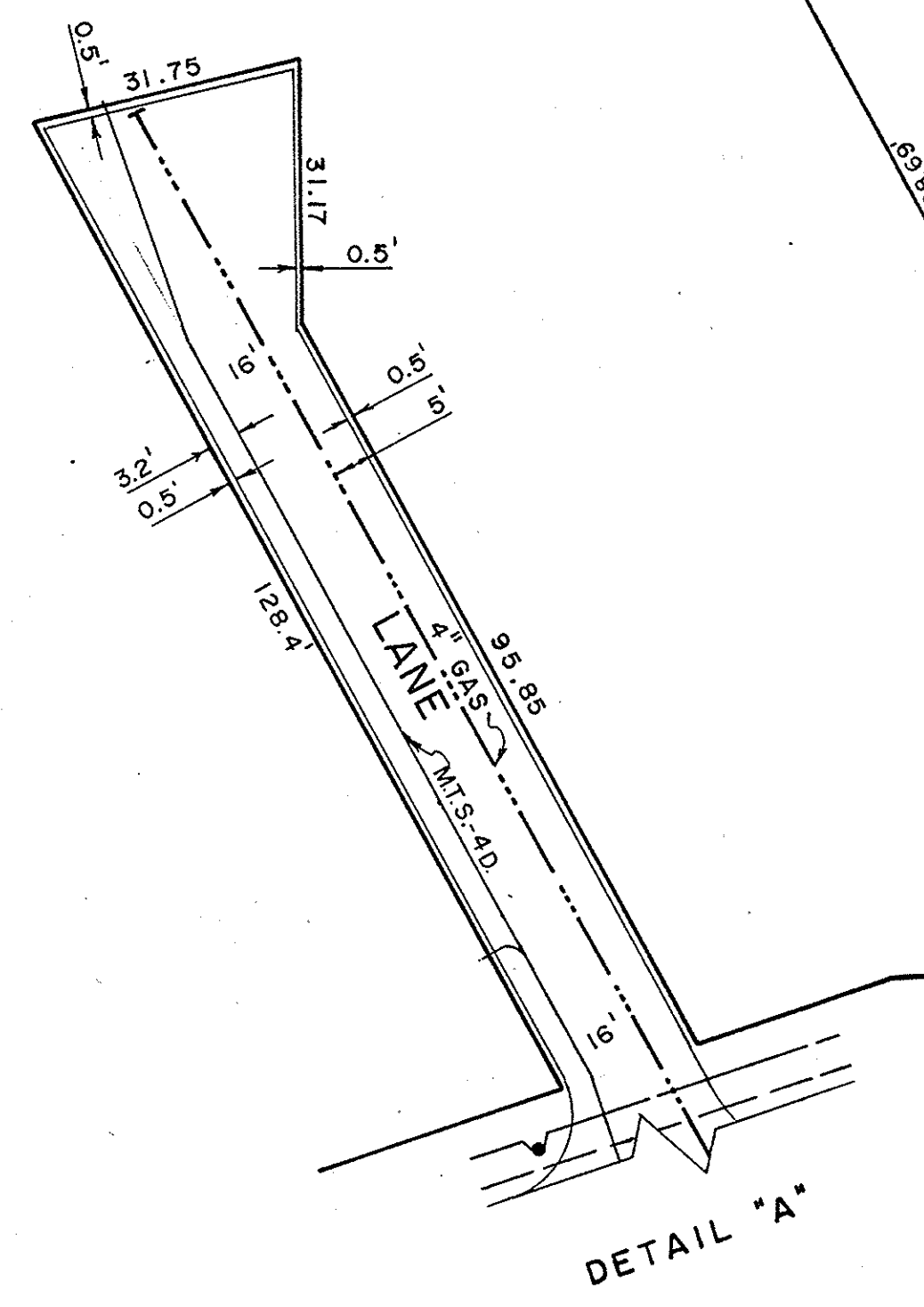
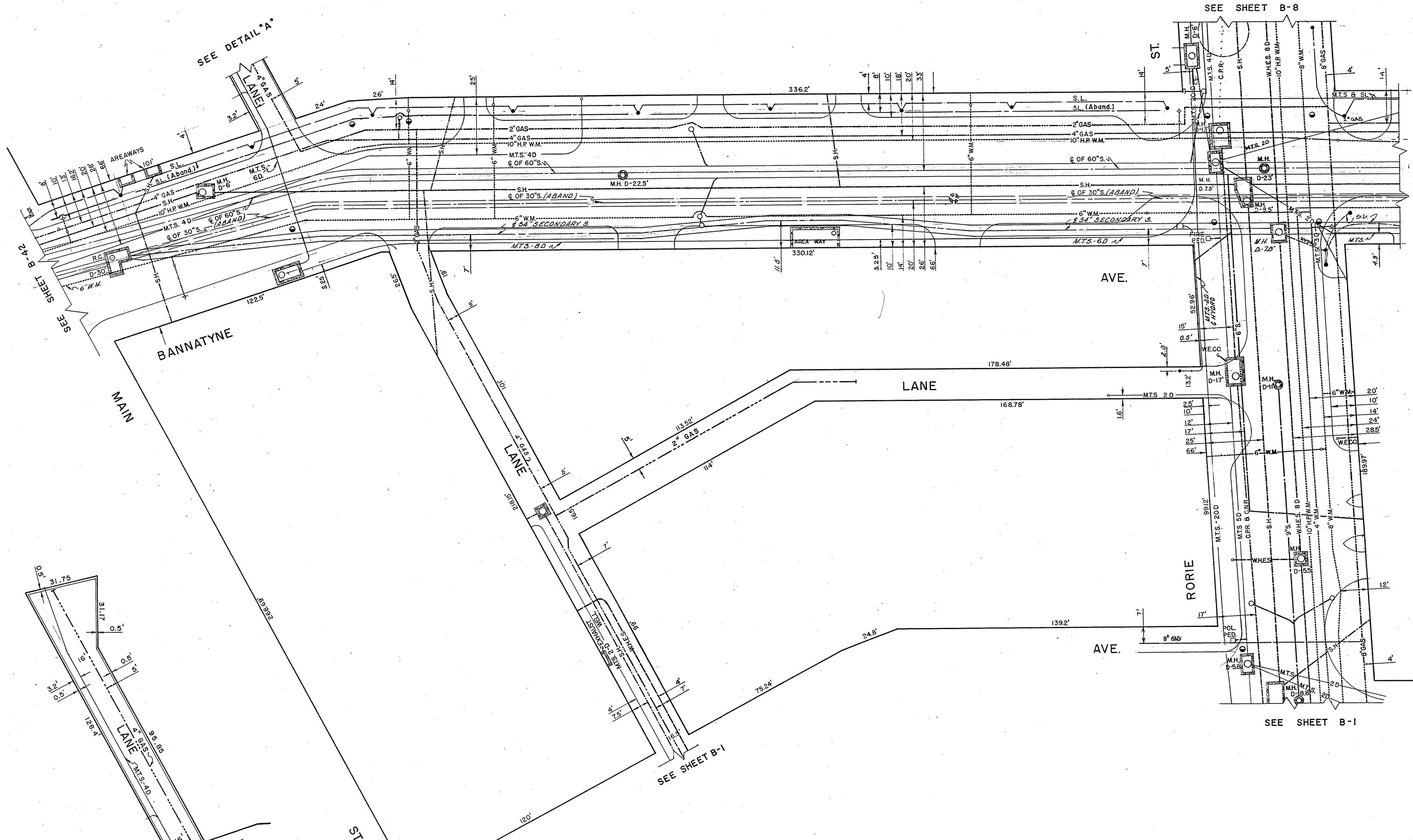
NO.	DATE	REVISION	BY	CHKD.
7	13-11-74		R.D.	
6	13-2-73		I.Z.	
5	23-2-71		J.L.	
4	96-12-17		D.H.	
3	87-02-10		D.C.	
2	85-02-14		R.D.	
1	83-02-04		R.D.	

BLOCK BOUNDED BY
BANNATYNE - M^CDERMOT
RORIE TO 475' EAST

THE CITY OF WINNIPEG
UNDERGROUND STRUCTURES

DRAWN BY R. VOLLRATH
TRACED BY E. KOROLL
CHECKED BY J.D. STITT
DATE APRIL 10-56

SCALE
1" = 20'
SHEET NO.
B-5



NO.	DATE	REVISION	BY	CHKD.
13	83-02-09		R.D.	
12	28-4-77		W.K.H.	
11	13-11-74		R.D.	
10	13-2-73		I.Z.	
9	29-12-71		G.H.	
8	1-9-70	GAS	G.H.	
7	2-19-69		M.L.	
6	2-3-67		M.L.	
5	1-6-66		H.R.	
4	29-6-64	2" GAS - BANNATYNE	W.S.	
3	30-12-17		D.J.H.	
2	87-02-11		D.G.	
14	85-02-25		R.D.	

M.H. DEPTH PAV'T. TO FLOOR D.

HYDRANT

WATER VALVES

SERVICE BOX

CATCH BASIN

ST. LIGHTING POLE

SURVEY BAR

W.H.E.S.

W.E.CO.

M.T.S.

CITY SIGNALS

ST. LIGHTING

SEWER (S)

WATERMANS

GAS

W.H.E.S. STEAM HT.

W.C.H.T. CO. STEAM HT.

C.P.R.Y. TELEGRAPHS

C.N.R.Y.

NOTE - ALL S.H. DUCTS APPROX. 2' SQ.

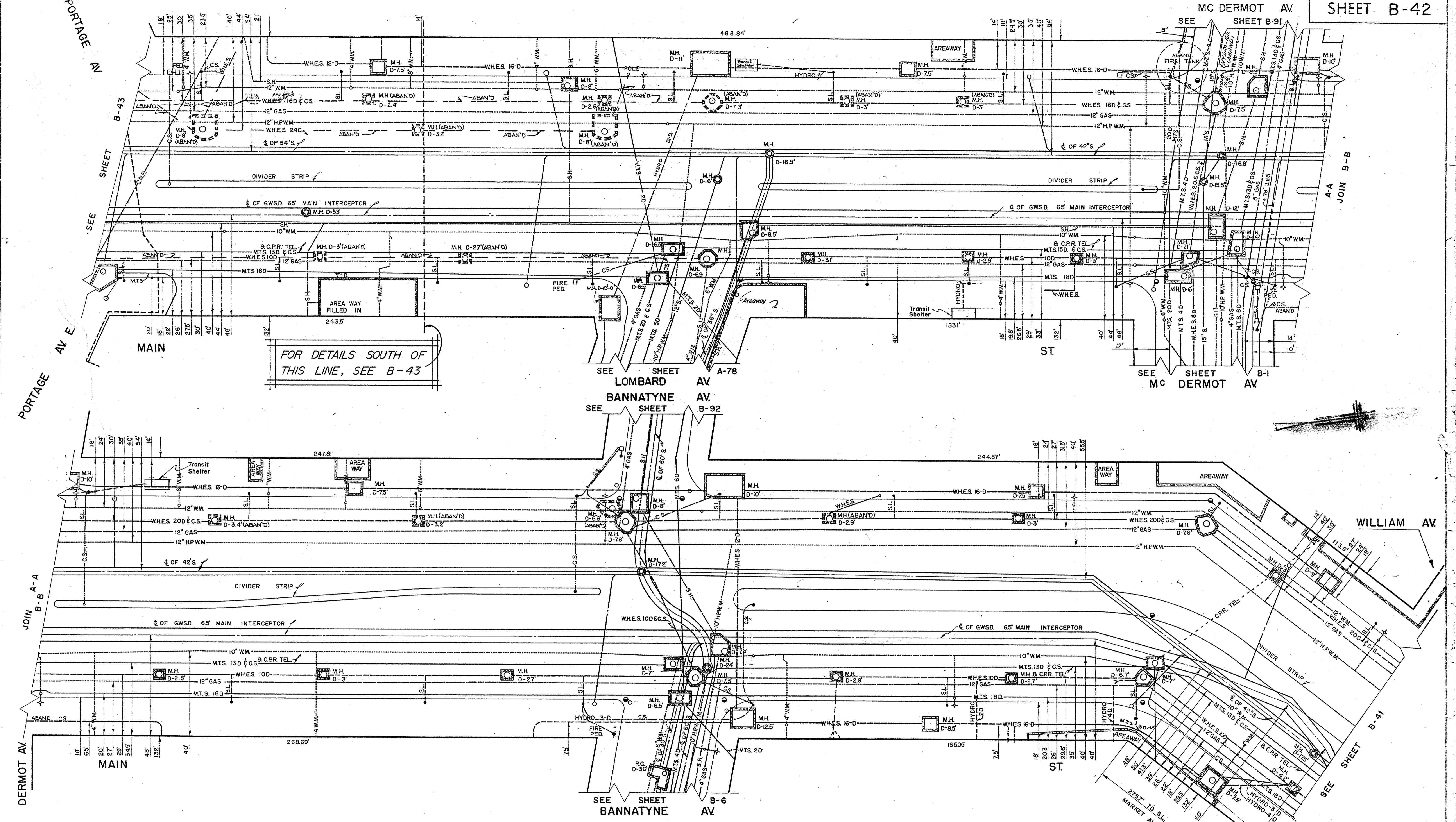
LOCATION OF UNDERGROUND STRUCTURES AS SHOWN ARE BASED ON BEST INFORMATION AVAILABLE BUT NO GUARANTEE IS GIVEN THAT ALL EXISTING UTILITIES ARE SHOWN AND EXACT LOCATIONS OF ALL UNDERGROUND UTILITIES SERVICE CONNECTIONS MUST BE CHECKED WITH THE UTILITY COMPANIES BEFORE PROCEEDING WITH CONSTRUCTION.

BLOCK BOUNDED BY BANNATYNE - M^CDERMOT MAIN - RORIE

THE CITY OF WINNIPEG UNDERGROUND STRUCTURES

DRAWN BY R. VOLLBATH
 TRACED BY E. KOROLL
 CHECKED BY J.D. STITT
 DATE APL. 21-56

SCALE 1" = 20'
 SHEET NO. B-6



NO.	DATE	REVISION	BY	CHKD
19	87-02-24		D.S.	
18	85-03-08		R.D.	
17	83-07-16		B.N.	
16	82-03-27	Area Way Added	S.H.	
15	80-1-7		H.H.	
14	78-10-23		B.K.	
13	2-5-77		W.K.H.	

NO.	DATE	REVISION	BY	CHKD
12	8-10-75			
11	21-2-73			
10	6-1-72			
9	1-14-70	HYDRO-GAS		
8	2-26-69	MTS, SRS		
7	3-28-68	C.S.		
6	24-1-66	C.B. N.E. COR. PORT. (Main)	G.H.	
5	24-1-66	S. MONUMENT-MAIN	G.H.	
4	13-5-65	W.H.E.S. - ES. MAIN	W.S.	
3	13-5-65	W.H.E.S. - WS. MAIN	W.S.	
2	3-10-61	C.S. PED. - BANNATYNE	W.S.	
1				

NO.	DATE	REVISION	BY	CHKD
12	8-10-75			
11	21-2-73			
10	6-1-72			
9	1-14-70	HYDRO-GAS		
8	2-26-69	MTS, SRS		
7	3-28-68	C.S.		
6	24-1-66	C.B. N.E. COR. PORT. (Main)	G.H.	
5	24-1-66	S. MONUMENT-MAIN	G.H.	
4	13-5-65	W.H.E.S. - ES. MAIN	W.S.	
3	13-5-65	W.H.E.S. - WS. MAIN	W.S.	
2	3-10-61	C.S. PED. - BANNATYNE	W.S.	
1				

STEAM MAINS APPROX. 2' SQ.

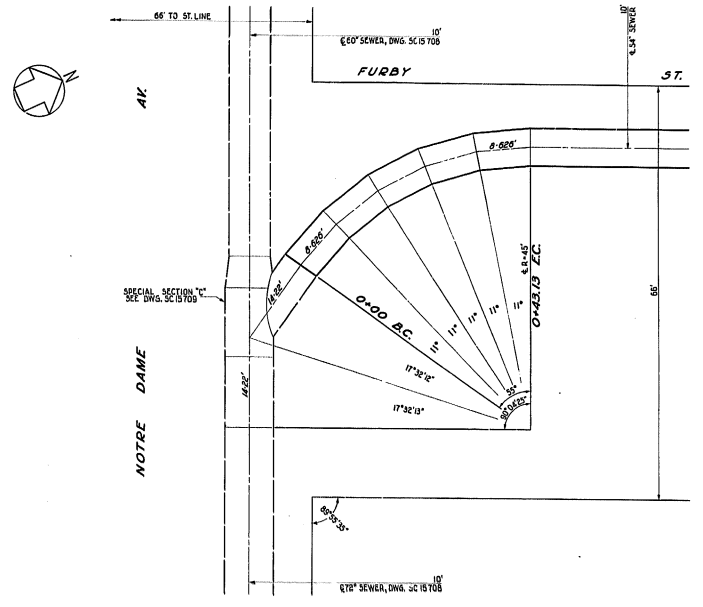
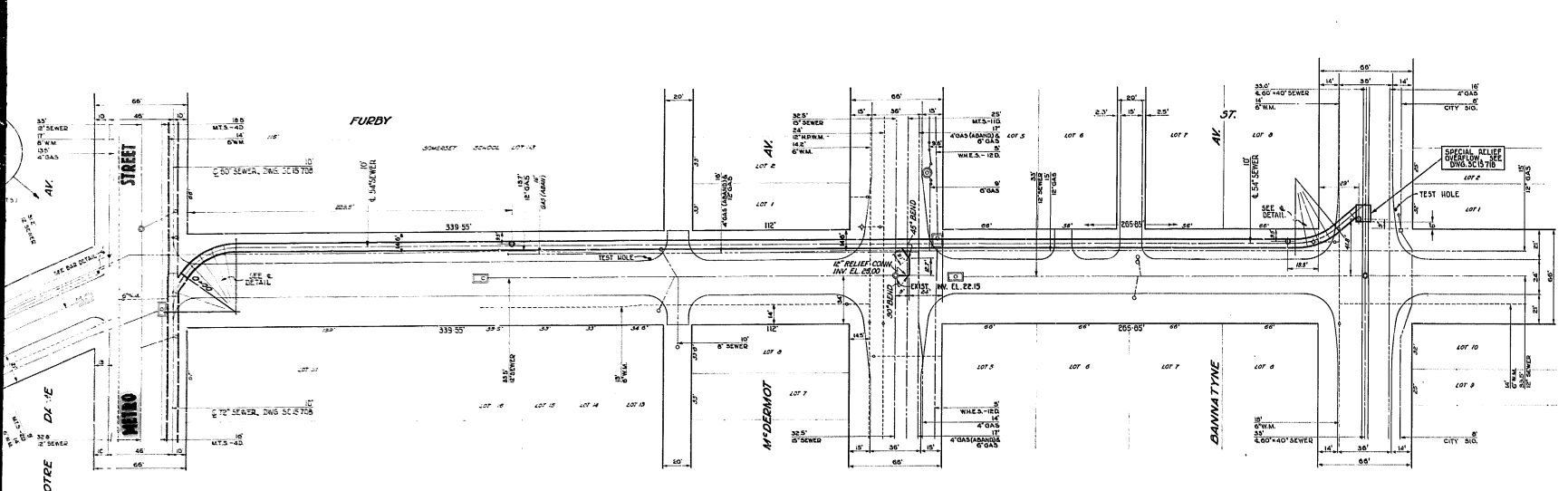
BLOCK BOUNDED BY
MAIN ST.
PORTAGE - WILLIAM

THE CITY OF WINNIPEG
UNDERGROUND STRUCTURES

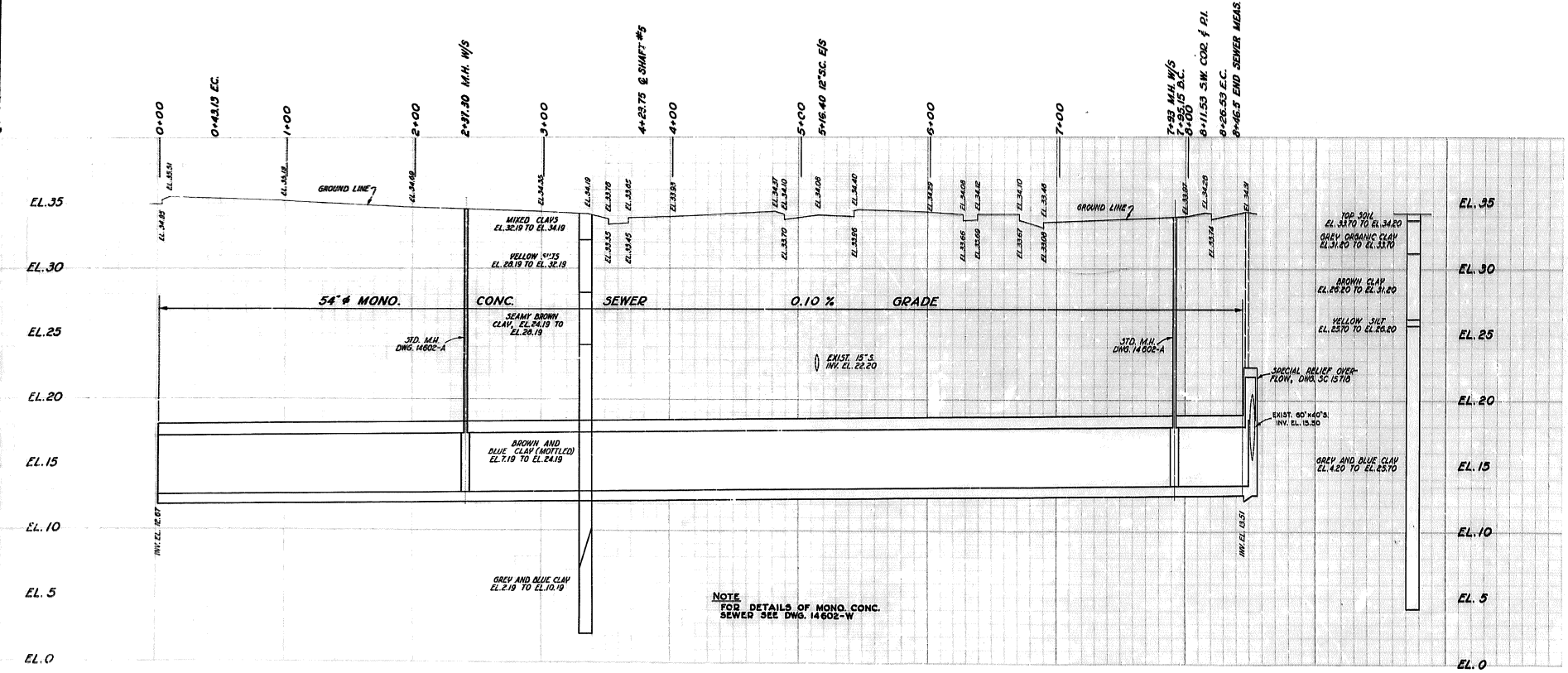
DRAWN BY E. KOROLL
TRACED BY H. NEUFELD
CHECKED BY J. D. STITT
DATE JAN. 23 - 58

SCALE
1" = 20'
SHEET NO.
B-42

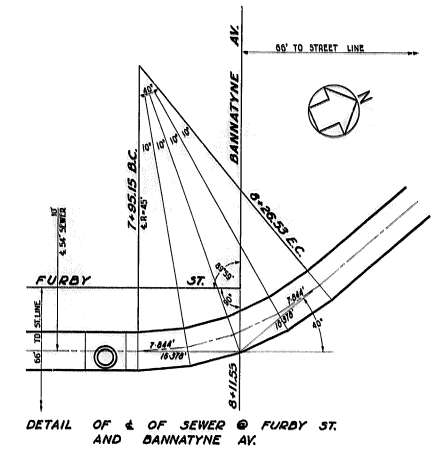
LOCATION OF UNDERGROUND STRUCTURES AS SHOWN, ARE BASED ON BEST INFORMATION AVAILABLE, BUT NO GUARANTEE IS GIVEN THAT ALL EXISTING UTILITIES ARE SHOWN, AND EXACT LOCATIONS OF ALL UNDERGROUNDS INCLUDING SERVICE CONNECTIONS, MUST BE CHECKED WITH THE UTILITY CONCERNED BEFORE PROCEEDING WITH CONSTRUCTION.



DETAIL OF & OF SEWER @ FURBY ST. AND NOTRE DAME AV.



NOTE
FOR DETAILS OF MONO. CONC.
SEWER SEE DWS. 14602-W



DETAIL OF & OF SEWER @ FURBY ST.
AND BANNATYNE AV.

REVISED AS
CONSTRUCTED
BY W.S. DATE APRIL 25/65
CHECKED BY A. DATE 5 MAY 65

THE CONTRACTOR'S ATTENTION IS
HEREBY DRAWN TO CLAUSE 2.11 OF
THE GENERAL CONDITIONS REGARDING
THE CITY'S RESPONSIBILITY PROGRAM
AS THE TEST HOLE DATA IS CONCERNED

METRO APPROVAL BROTH.
STREETS AND TUNNIT 5 8 JUNE 65
W.S. DATE 26 MAY 65

LOCATION OF UNDERGROUND STRUCTURES AS SHOWN
ARE BASED ON BEST INFORMATION AVAILABLE, BUT
NO GUARANTEE IS GIVEN THAT ALL EXISTING
UTILITIES ARE SHOWN, AND EXACT LOCATIONS OF
ALL UNDERGROUND INCLUDING SERVICE CONNECTIONS,
MUST BE CHECKED WITH THE UTILITY COMPANIES
BEFORE PROCEEDING WITH CONSTRUCTION.

LOCATION APPROVED
UNDERGROUND STRUCTURES COMMITTEE
21-5-65

W.O. #100-120-962



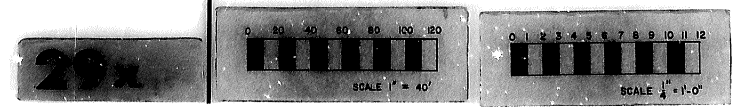
CITY OF WINNIPEG
ENGINEERING DEPARTMENT
W. D. HURST - CITY ENGINEER
J. B. STROHMAN - CITY CITY ENGINEER

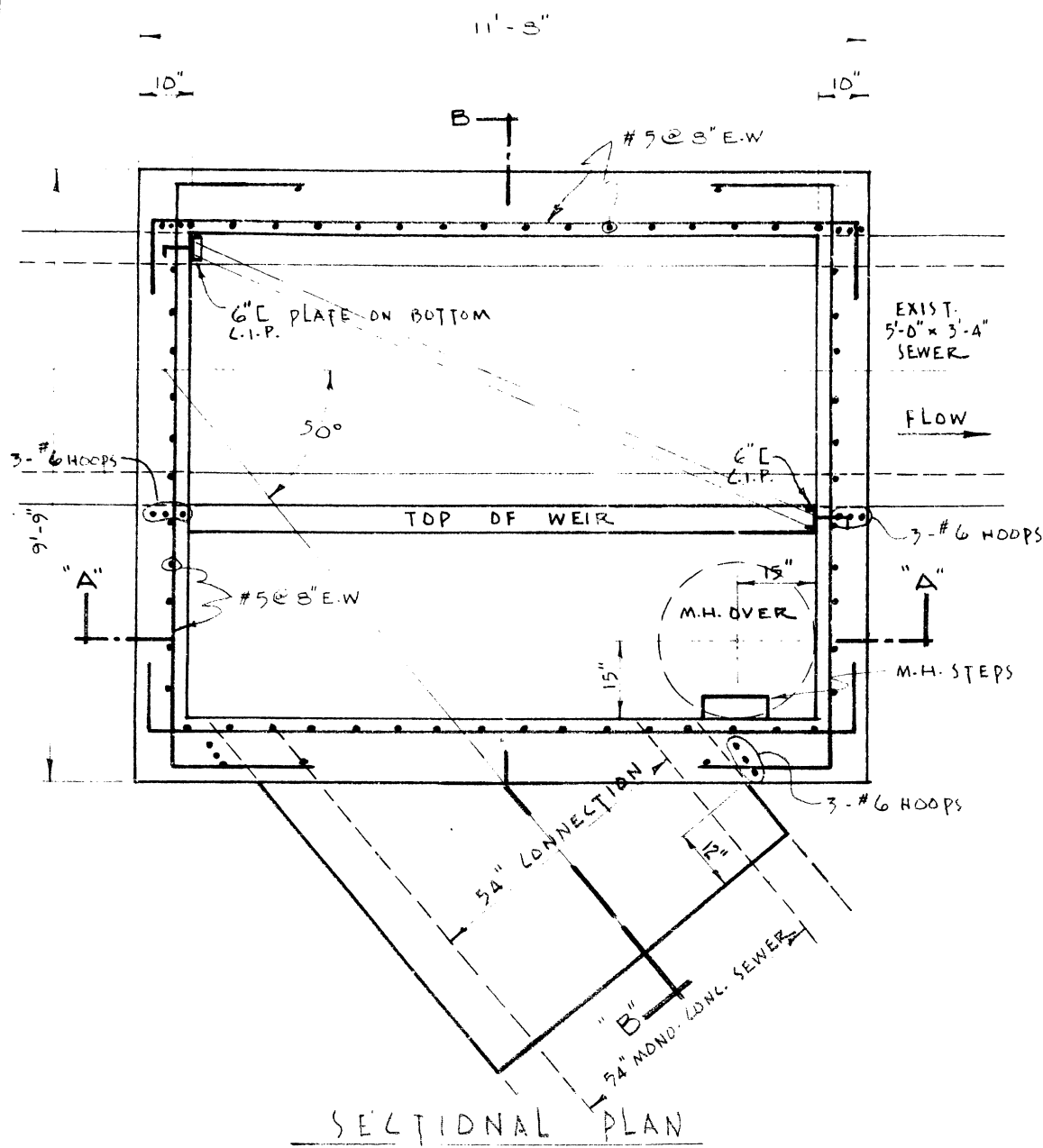
54' MONO. CONC. RELIEF SEWER
IN FURBY ST. FROM
NOTRE DAME AV. TO
BANNATYNE AV.

DRAWN BY: A. DATE: APRIL/MAY, 1965
CHECKED BY: J. B. STROHMAN
APPROVED BY: W. D. HURST
APPROVED BY: J. B. STROHMAN
APPROVED BY: D. MARSH, P.E. (C.O.) 30
S.W. N.E. COR. TOP CORN. STEP 376 NOTRE DAME AV.
@ LANSIDE ST. - EL. 33.50

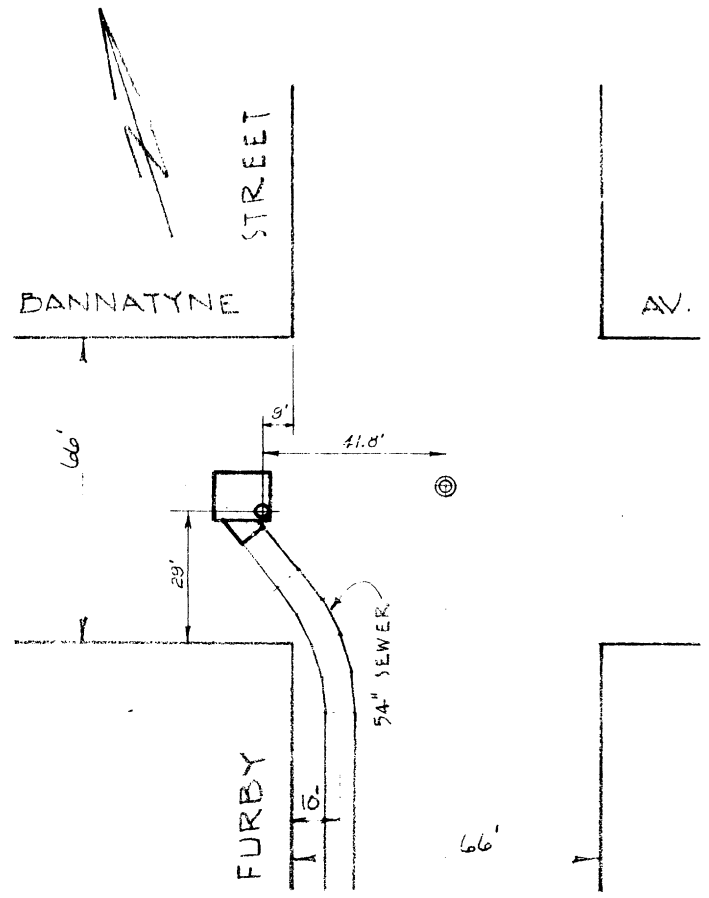
SCALE: PLAN = 1"=40'
ELEVATION = 1"=4'
PEOPLE: L. VER. = 1"=4'

DRAWING NO.: SC 15 715



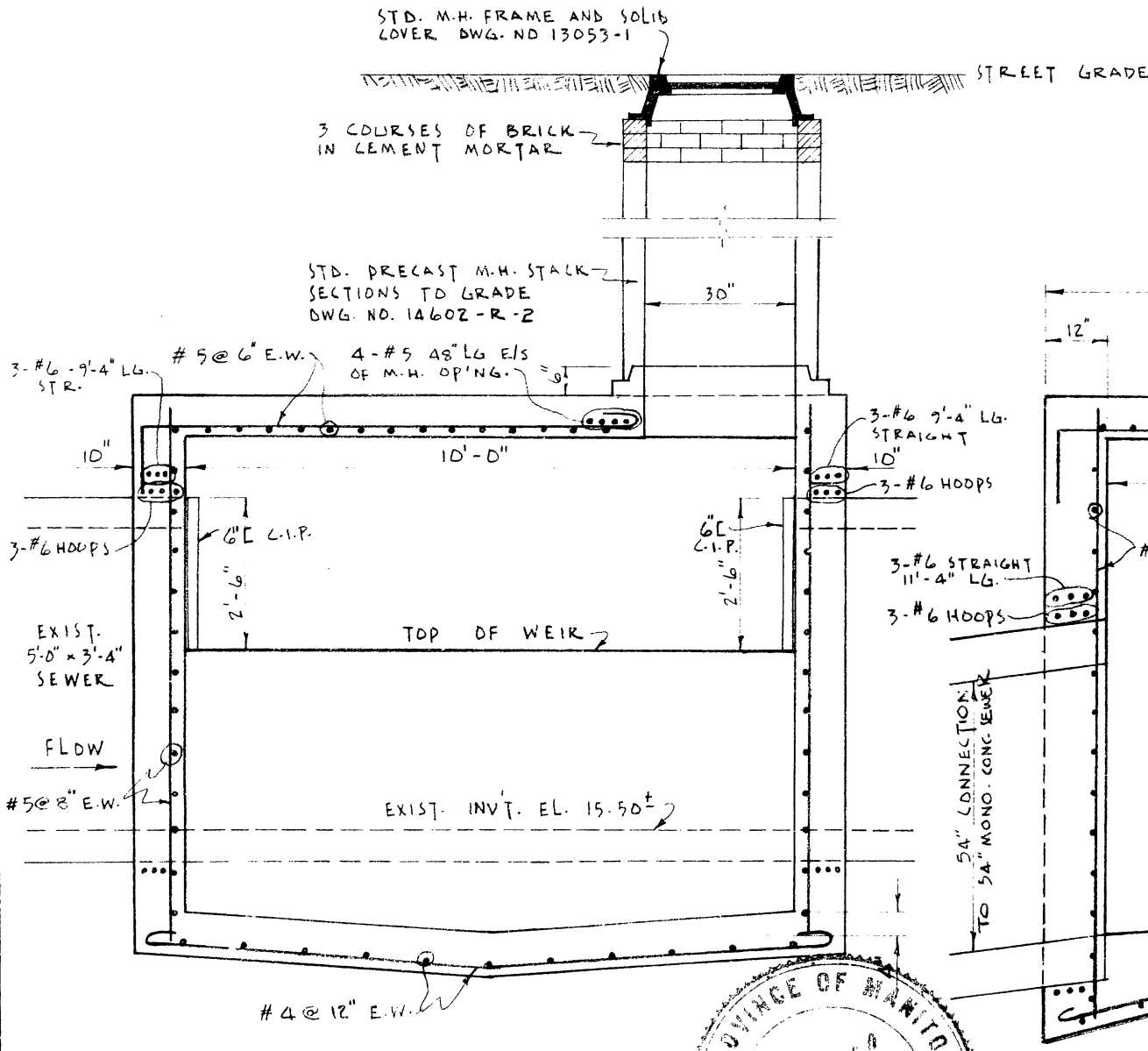


SECTIONAL PLAN

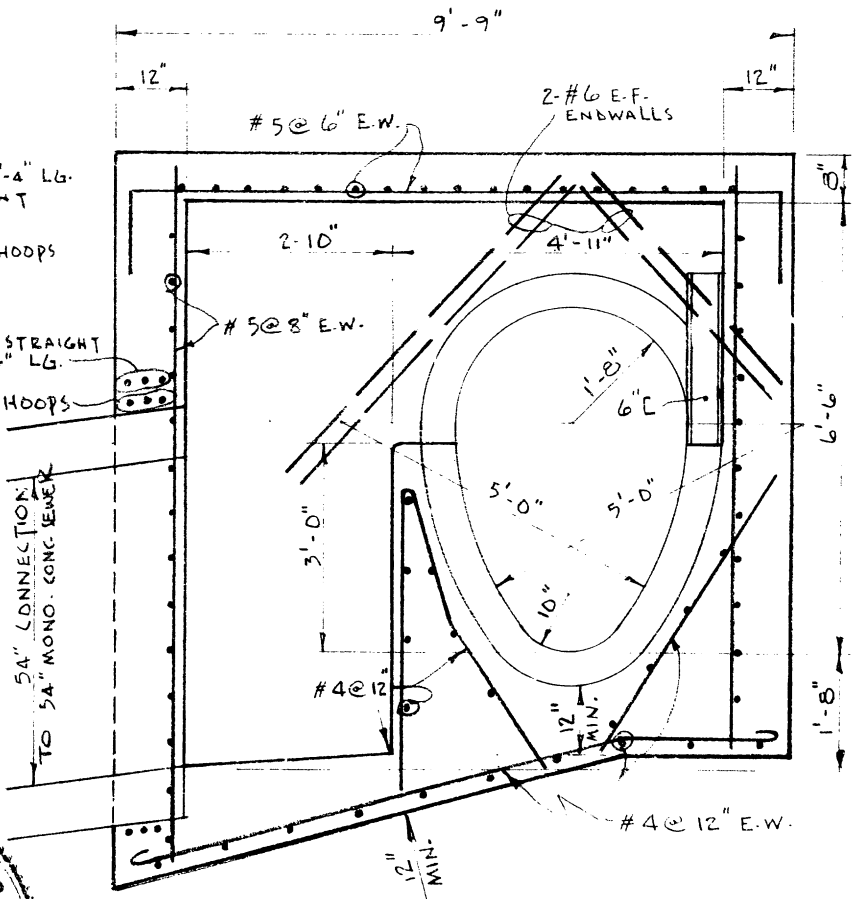


LOCATION PLAN
SEE DWG. SC15715

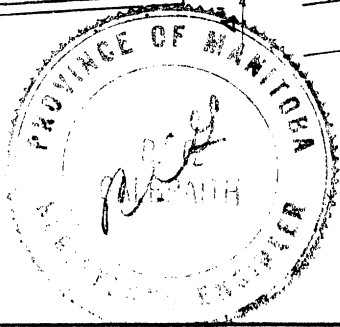
**REVISED AS
CONSTRUCTED**
BY W.S. DATE MAY 5/66
CHECKED BY [Signature] DATE 6 MAY 66



SECTION "A"



SECTION "B"



W.O. # 100-120-962

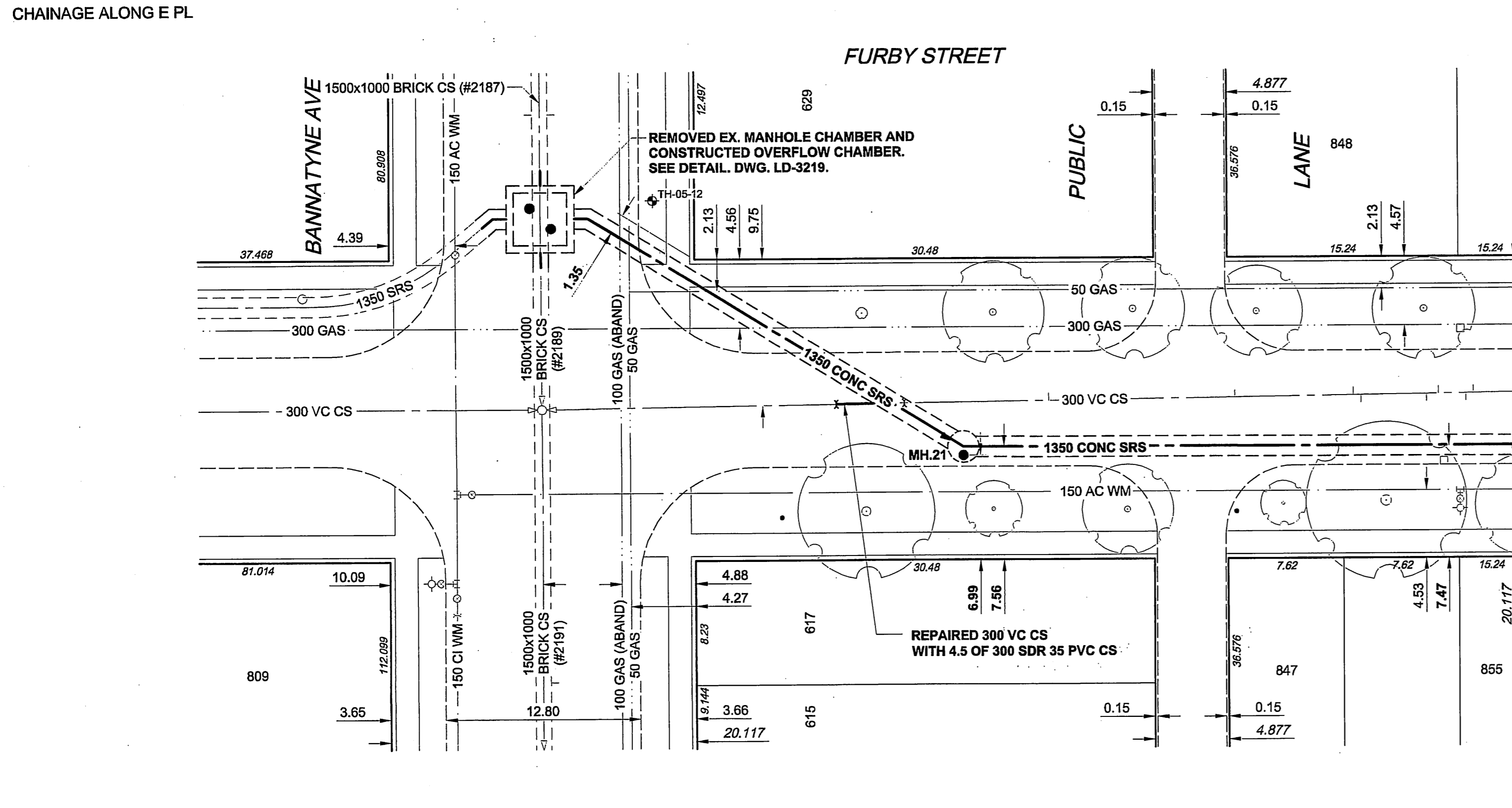
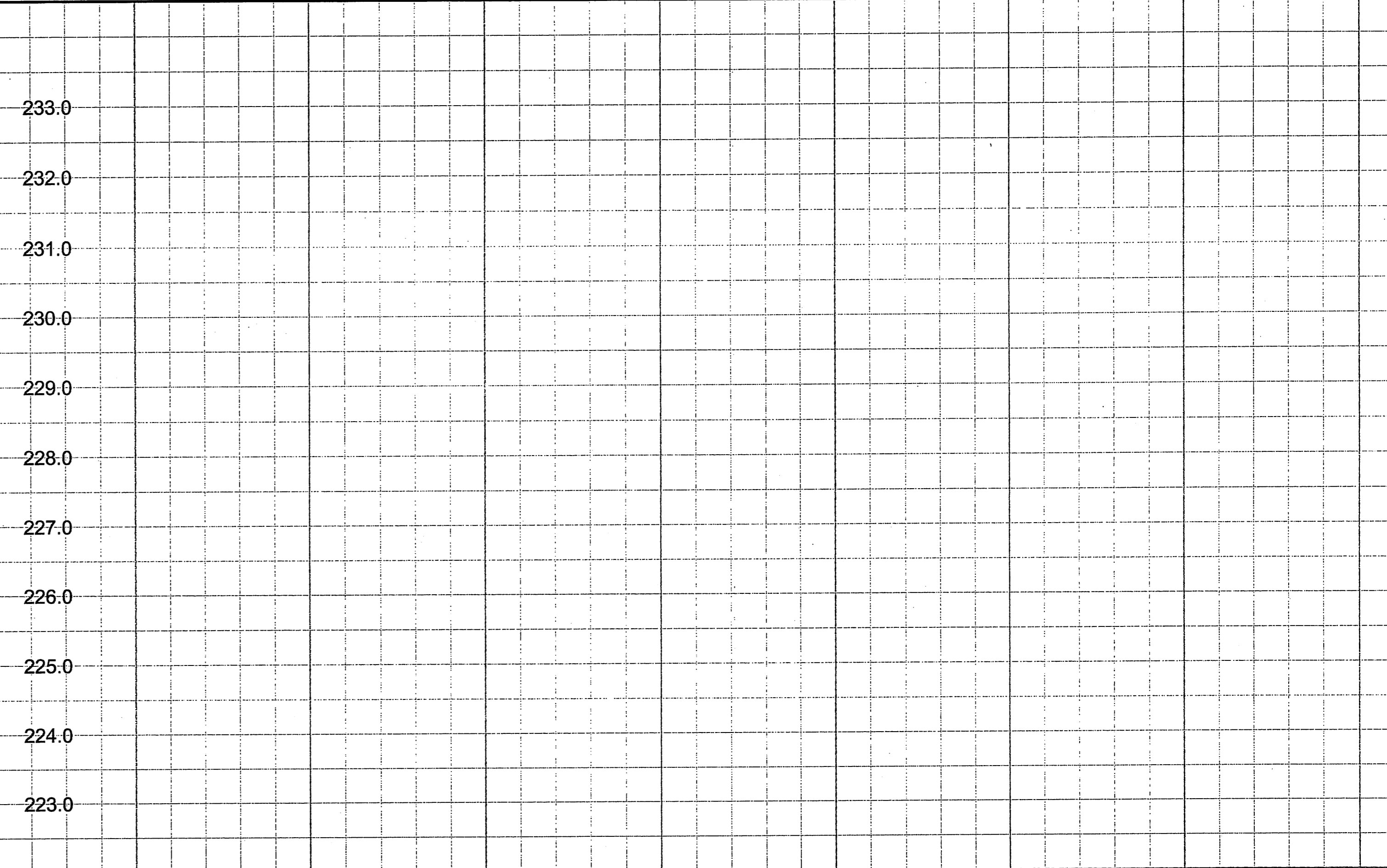
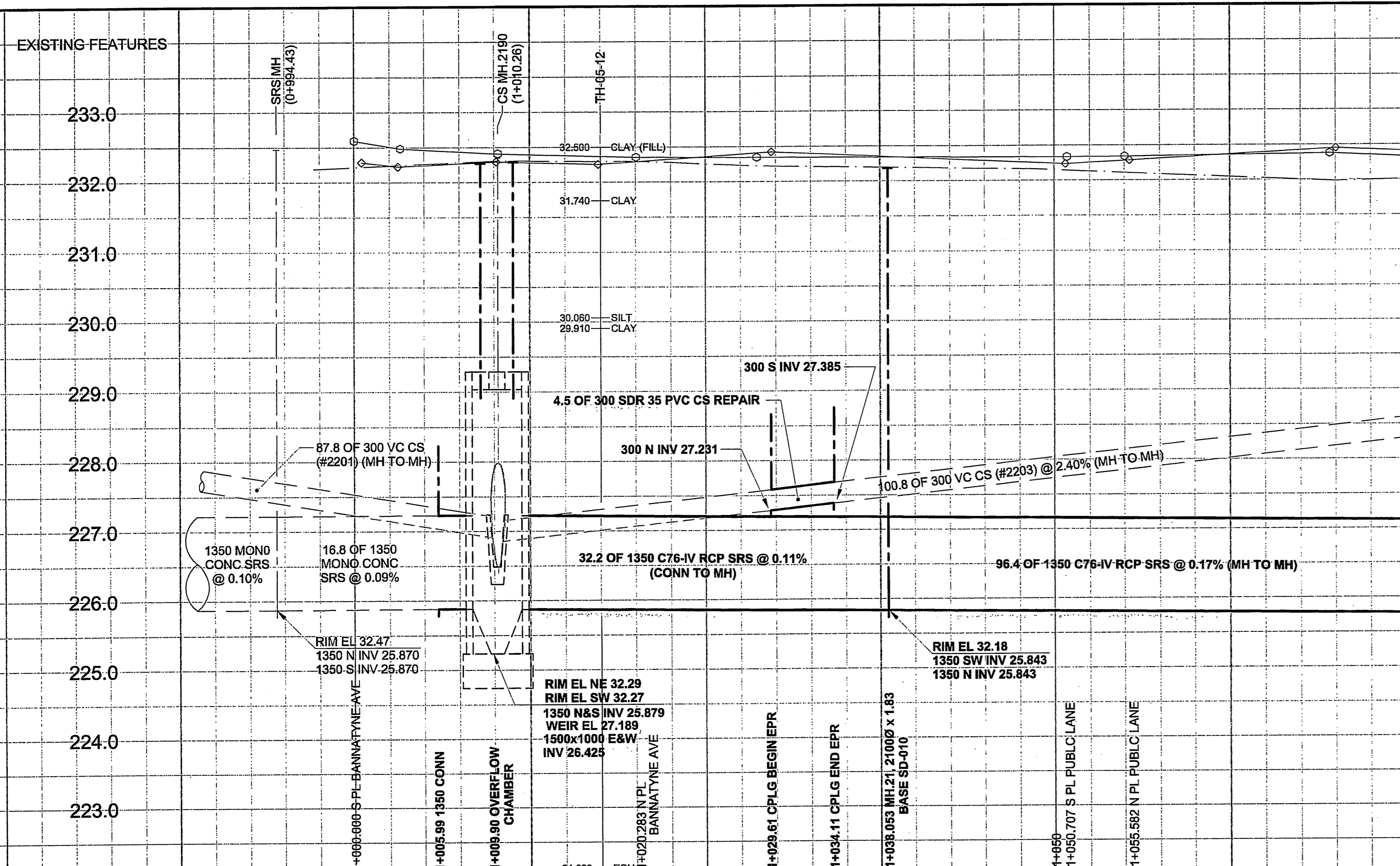
SPECIAL RELIEF OVERFLOW ON BANNATYNE AV. SEWER AT FURBY STREET	CITY OF WINNIPEG ENGINEERING DEPT. W. D. HURST, CITY ENGINEER J. B. STRIOWSKI, DEPUTY CITY ENGINEER	DRAWN BY <u>D.G.</u> DATE <u>APRIL '65</u>	SCALE 3/8" = 1'-0"
		TRACED BY <u>RCG</u> CHECKED BY <u>[Signature]</u> APPROVED <u>[Signature]</u>	DRAWING No. SC.15718

PAYT. DWG. No.

D SIZE 22" x 34" (559mm x 864mm)

PLOT: 07/07/10 11:51:44 AM

UMA FILE NAME: D265-177-02-C-1011_RX.dwg Saved By:



MATERIAL LIST

ITEM	MANUFACTURER	MATERIAL SPECIFICATION	SPECIAL FEATURES
SEWER WORKS			
300 PVC PIPE	IPEX INC.	ASTM D3034 CSA B182.2	"RING-TITE" SDR-35
300 FLEXIBLE SEWER COUPLING	MISSION RUBBER CO.	"FLEX-SEAL"	TYPE 316 STAINLESS STEEL
1350 CONCRETE PIPE	LAFARGE CONSTRUCTION MATERIALS INC.	ASTM C76M CSA A257.2 (CLASSES AS NOTED)	SHEAR RING AND STRAPS
MANHOLE COMPONENTS	LAFARGE CONSTRUCTION MATERIALS INC.	ASTM C76-CL2 ASTM C-478	STEEL REINFORCED
MANHOLE & CATCH BASIN ADJUSTING RINGS	LAFARGE CONSTRUCTION MATERIALS INC.	ASTM C-478	
MANHOLE FRAMES & COVERS	TITAN FOUNDRY	C.I. - ASTM A-48 CLASS 30B CONFORMS TO AP-004 AND AP-005 OR AP-006	750 I.D. x (50 TO 125) PRECAST CONCRETE ADJUSTING RINGS
ROAD WORKS			TF-101-9 MH FRAME AND SOLID OR GRATED COVER
CONCRETE	LAFARGE CANADA INC.		
REINFORCING STEEL	COWIN STEEL CO. LTD.		
ASPHALT	MAPLE LEAF CONSTRUCTION LTD.		
CONTRACTOR:	DARCO ENTERPRISES LTD.		
CONSTRUCTION PERIOD:	JAN/2005 - JUN/2006		
FIELD BOOK NO.:	06-067		

METRIC
WHOLE NUMBERS INDICATE MILLIMETRES
DECIMALIZED NUMBERS INDICATE METRES

APEGM
Certificate of Authorization
UMA Engineering Ltd. (MB)
No. 266 Date: 07/07/10

CONSTRUCTION COMPLETION DATE
MAY 19, 2006
RECORD DRAWING

BID OPPORTUNITY NO. 584-2005

150 mm WM	WATERMAIN	150 mm WM	150 mm WM	CURB STOP	150 mm WM	WATERMAIN	150 mm WM
+	HYDRANT	+	+	REDUCER	+	HYDRANT	+
o	VALVE	o	o	COUPLING	o	VALVE	o
300 mm LDS	LAND DRAINAGE SEWER	300 mm LDS	300 mm LDS	ANODE	300 mm LDS	LAND DRAINAGE SEWER	300 mm LDS
250 mm WWS	WASTE WATER SEWER	250 mm WWS	250 mm WWS	HYDRO	250 mm WWS	WASTE WATER SEWER	250 mm WWS
o	MANHOLE	o	o	MTS	o	PAVEMENT CROWN	o
o	CATCH BASIN	o	o	GAS	o	N/W PROPERTY LINE	o
o	CURB INLET	o	o	TESTHOLE	o	S/E PROPERTY LINE	o
o	CULVERT	o	o	LAMP STANDARD	o	N/W GUTTER	o
o	PIPE ABANDONMENTS	o	o	TREE	o	S/E GUTTER	o
+	SURVEY BAR	+	+		+		+
o	EXISTING	o	o	LEGEND - PLAN	o	LEGEND - PROFILE	o
o	NEW	o	o		o		o

LOCATION APPROVED
UNDERGROUND STRUCTURES

DATE

NOTE:
LOCATION OF UNDERGROUND STRUCTURES AS SHOWN ARE BASED ON THE BEST INFORMATION AVAILABLE. BUT NO GUARANTEE IS GIVEN THAT ALL EXISTING UTILITIES ARE SHOWN OR THAT THE GIVEN LOCATIONS ARE EXACT. CONFIRMATION OF EXISTENCE AND EXACT LOCATION OF ALL SERVICES MUST BE OBTAINED FROM THE INDIVIDUAL UTILITIES BEFORE PROCEEDING WITH CONSTRUCTION.

NO.	REVISIONS	DATE	BY
1	ISSUED FOR RECORD	06/12/19	KMB
0	ISSUED FOR CONSTRUCTION	05/11/03	ADL
		YYMMDD	

UMA | AECOM

© 2005 UMA ENGINEERING LTD. ALL RIGHTS RESERVED.

DESIGNED BY	GEB	CHECKED BY
DRAWN BY	ADL	APPROVED BY
HOR. SCALE	1:250	RELEASED FOR CONSTRUCTION
VERT. SCALE	1:50	
DATE	07/07/10	DATE

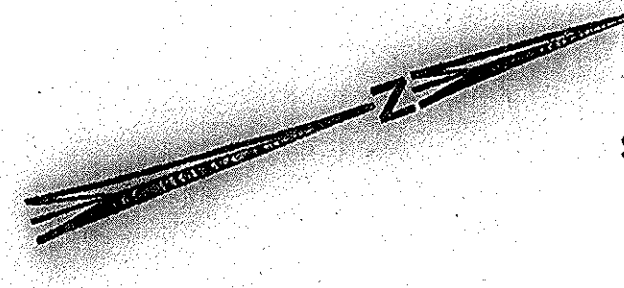
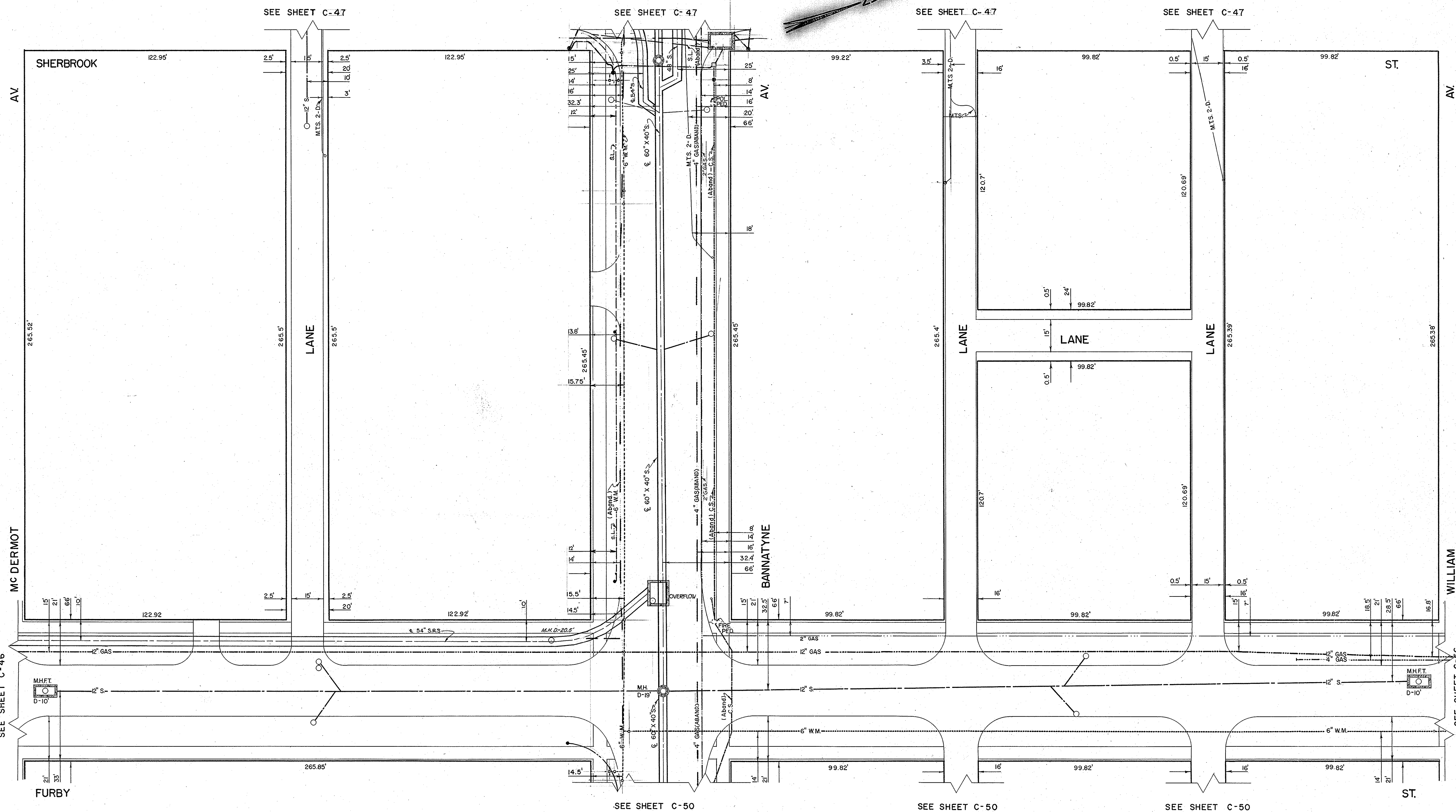
PROFESSIONAL'S SEAL
PROVINCE OF MANITOBA
REGISTERED PROFESSIONAL ENGINEER
A. NAGY
JULY 2007

CONSULTANT DRAWING NO. 11
D265-177-02

THE CITY OF WINNIPEG
WATER AND WASTE DEPARTMENT

ALEXANDER/BANNATYNE
COMBINED SEWER RELIEF
CONTRACT 2B
FURBY STREET
BANNATYNE AVENUE
TO 45m SOUTH OF WILLIAM AVENUE

SHEET 11 OF 18
CITY DRAWING NUMBER
LD-3214
REV 1



LOCATION OF UNDERGROUND STRUCTURES AS SHOWN ARE BASED ON BEST INFORMATION AVAILABLE, BUT NO GUARANTEE IS GIVEN THAT ALL EXISTING UTILITIES ARE SHOWN, AND EXACT LOCATIONS OF ALL UNDERGROUND INCLUDING SERVICE CONNECTIONS, MUST BE CHECKED WITH THE UTILITY CONCERNED BEFORE PROCEEDING WITH CONSTRUCTION.

NO	DATE	REVISION	BY	CHK'D
10	92-02-03		P.C.	
8	85-06-21		R.D.	
7	80-02-10		H.H.	
6	16-3-73		J.Z.	
5	2-2-72		Q.T.	
4	30-1-70		M.L.	
3	27-1-63		A.C.	
2	11-3-62		R.D.	
9	88-7-11		R.D.	

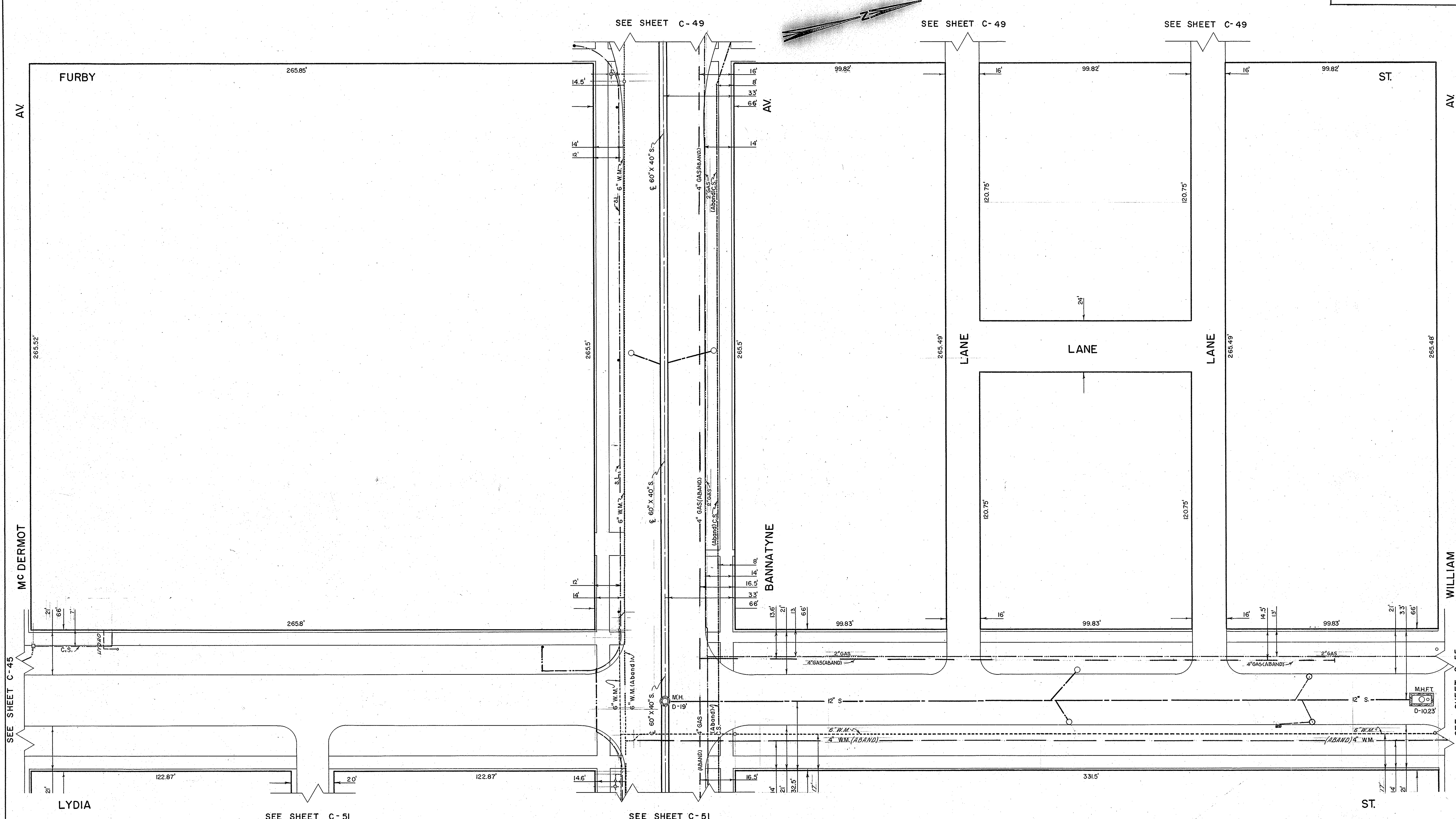
NO	DATE	REVISION	BY	CHK'D
10	92-02-03		P.C.	
8	85-06-21		R.D.	
7	80-02-10		H.H.	
6	16-3-73		J.Z.	
5	2-2-72		Q.T.	
4	30-1-70		M.L.	
3	27-1-63		A.C.	
2	11-3-62		R.D.	
9	88-7-11		R.D.	

BLOCK BOUNDED BY
WILLIAM - McDERMOT
FURBY - SHERBROOK

THE CITY OF WINNIPEG
UNDERGROUND STRUCTURES

DRAWN BY...W. SCHWARZENAU
TRACED BY...R. W. DONALD
CHECKED BY...B. J. G. S.
DATE...MAY 15, 1964

SCALE
1" = 20'
SHEET NO.
C-49



NO	DATE	REVISION	BY	CHKD
11	88-07-11			R.D.
10	85-06-21			R.D.
9	83-03-25			A.D.
8	1-6-77			WKH
7	13-11-74			RS
6	16-3-73			IZ
5	2-2-72			CH
4	30-1-70			ML
3	28-1-69			HR
2	12-3-68			HR
1	19-1-67	HYDRO	G.W.	HR

SYMBOL	DESCRIPTION
D	M.H. DEPTH PAV'T. TO FLOOR
+	HYDRANT
+	WATER VALVES
+	SERVICE BOX
+	CATCH BASIN
+	ST. LIGHTING POLE
+	SURVEY BAR
+	W.H.E.S.
+	M.T.S.
+	CITY SIGNALS
+	ST. LIGHTING
+	SEWER (S)
+	WATERMANS
+	GAS
+	W.H.E.S. STEAM HT.
+	W.G.H.T. CO. STEAM HT.
+	C.P.R. TELEGRAPHS
+	C.N.R.

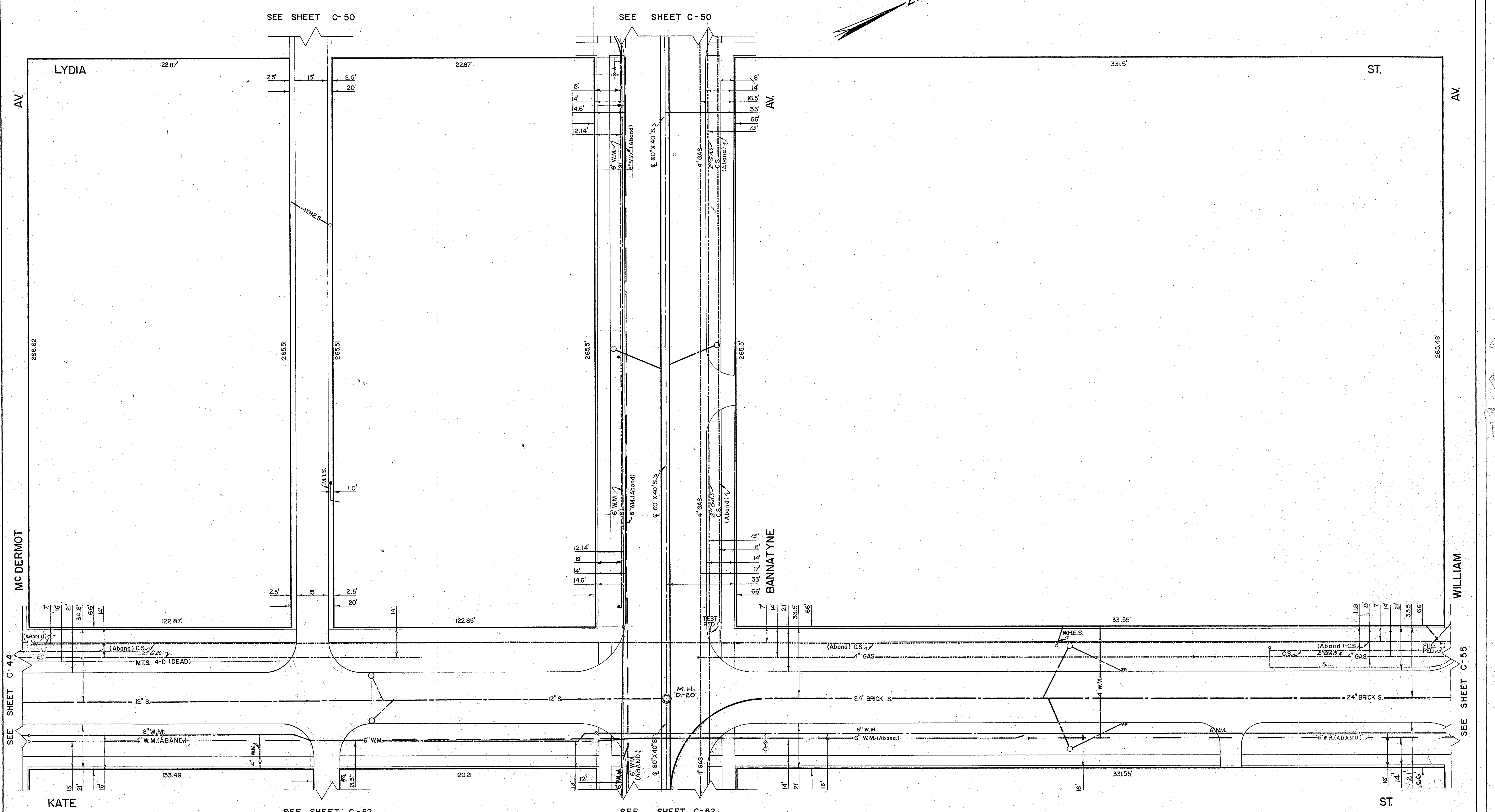
BLOCK BOUNDED BY
 WILLIAM - McDERMOT
 LYDIA - FURBY

THE CITY OF WINNIPEG
 UNDERGROUND STRUCTURES

DRAWN BY W. SCHWARZENAU
 TRACED BY R.W. DONALD
 CHECKED BY G.12-1-65
 DATE MAY 20, 1964

SCALE
 1" = 20'
 SHEET NO.
 C-50

LOCATION OF UNDERGROUND STRUCTURES AS SHOWN ARE BASED ON BEST INFORMATION AVAILABLE, BUT NO GUARANTEE IS GIVEN THAT ALL EXISTING UTILITIES ARE SHOWN, AND EXACT LOCATIONS OF ALL UNDERGROUND INCLUDING SERVICE CONNECTIONS, MUST BE CHECKED WITH THE UTILITY CONCERNED BEFORE PROCEEDING WITH CONSTRUCTION.



NO	DATE	REVISION	BY	CHK'D
12	92-02-04			P.C.
11	88-07-12			R.D.
10	78-10-06			B.K.
9	1-6-77			WKH
8	15-11-74			AS
7	19-3-73			IZ
6	3-2-72			SI
5	2-2-72			CH
4	30-1-70			M.L.
3	22-1-69			HR
2	12-3-68			HR
1	10-1-67	GAS	B.L.	HR

SYMBOL	DESCRIPTION
D	M.H. DEPTH PAV'T. TO FLOOR
+	HYDRANT
+	WATER VALVES
+	SERVICE BOX
+	CATCH BASIN
+	ST. LIGHTING POLE
+	SURVEY BAR
+	W.H.E.S.
+	M.T.S.
+	CITY SIGNALS
+	ST. LIGHTING
+	SEWER (S)
+	WATERMANS
+	GAS
+	W.H.E.S. STEAM HT.
+	W.C.H.T.CO. STEAM HT.
+	C.P.R.Y. TELEGRAPHS
+	C.N.R.Y.

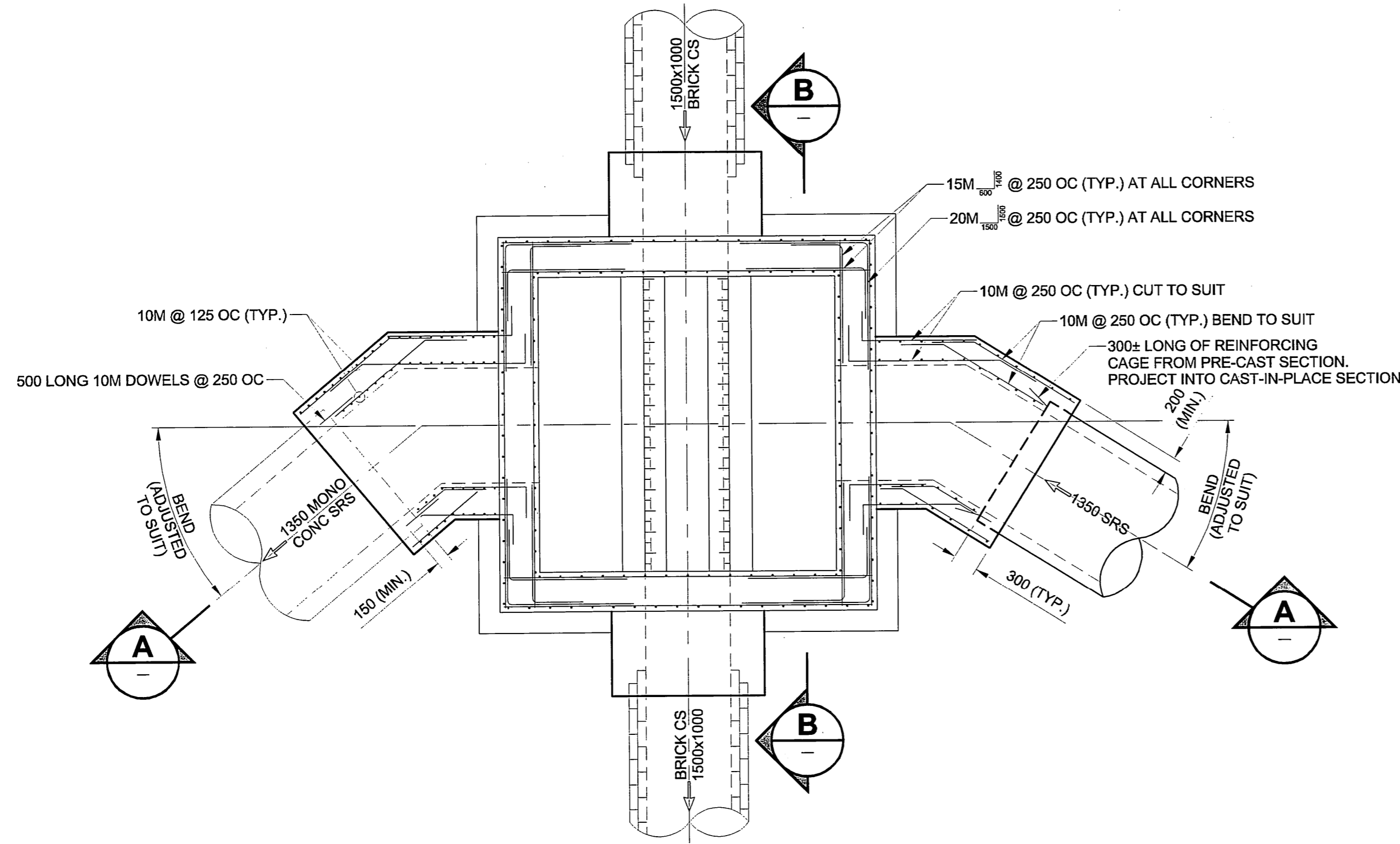
BLOCK BOUNDED BY
WILLIAM - MC DERMOT
KATE - LYDIA

THE CITY OF WINNIPEG
UNDERGROUND STRUCTURES

DRAWN BY W. SCHWARZENAU
TRACED BY R.W. DONALD
CHECKED BY B.L. G.S.
DATE MAY 26, 1964

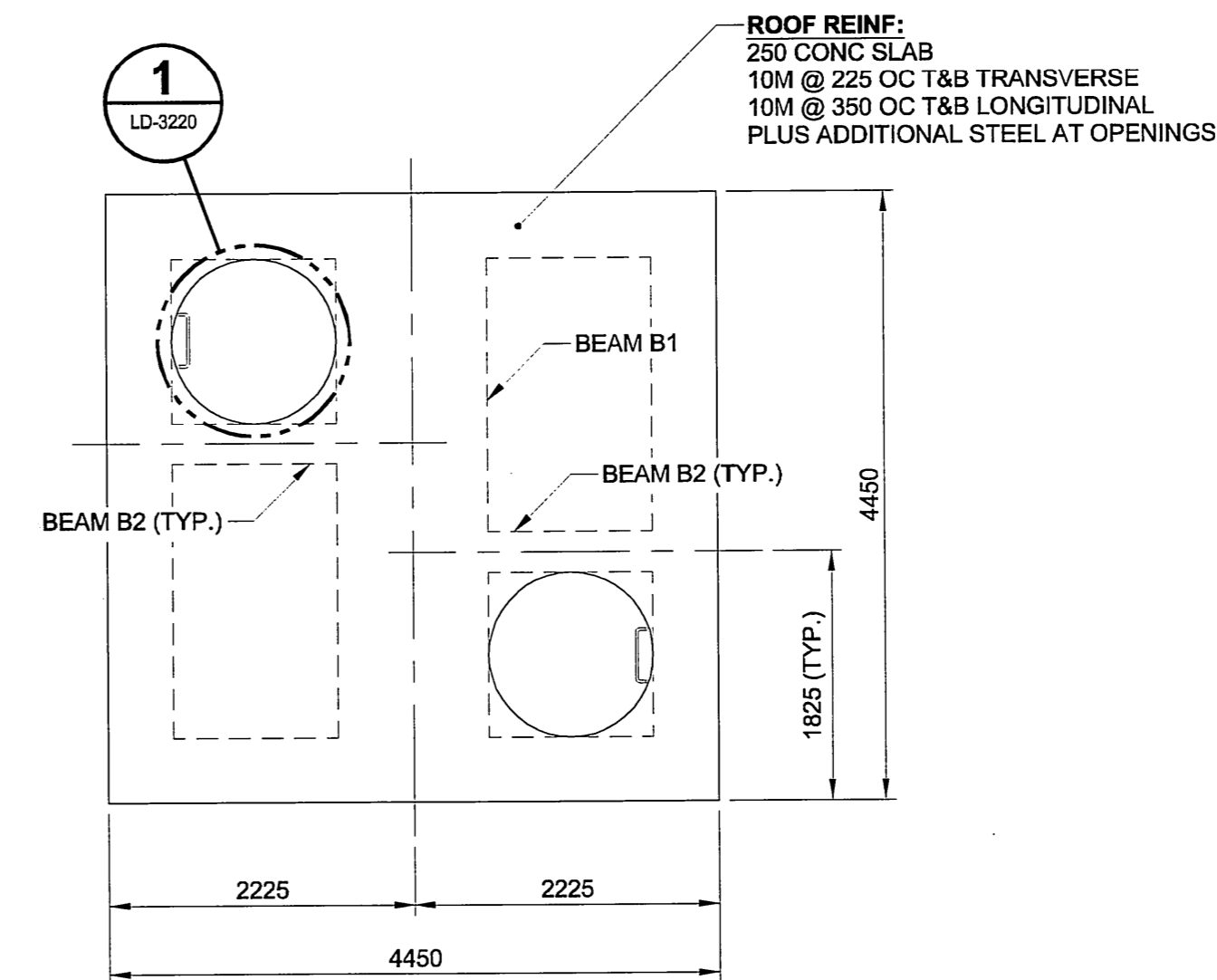
SCALE
1" = 20'
SHEET NO.
C-51

LOCATION OF UNDERGROUND STRUCTURES AS SHOWN ARE BASED ON BEST INFORMATION AVAILABLE, BUT NO GUARANTEE IS GIVEN THAT ALL EXISTING UTILITIES ARE SHOWN, AND EXACT LOCATIONS OF ALL UNDERGROUND INCLUDING SERVICE CONNECTIONS, MUST BE CHECKED WITH THE UTILITY CONCERNED BEFORE PROCEEDING WITH CONSTRUCTION.



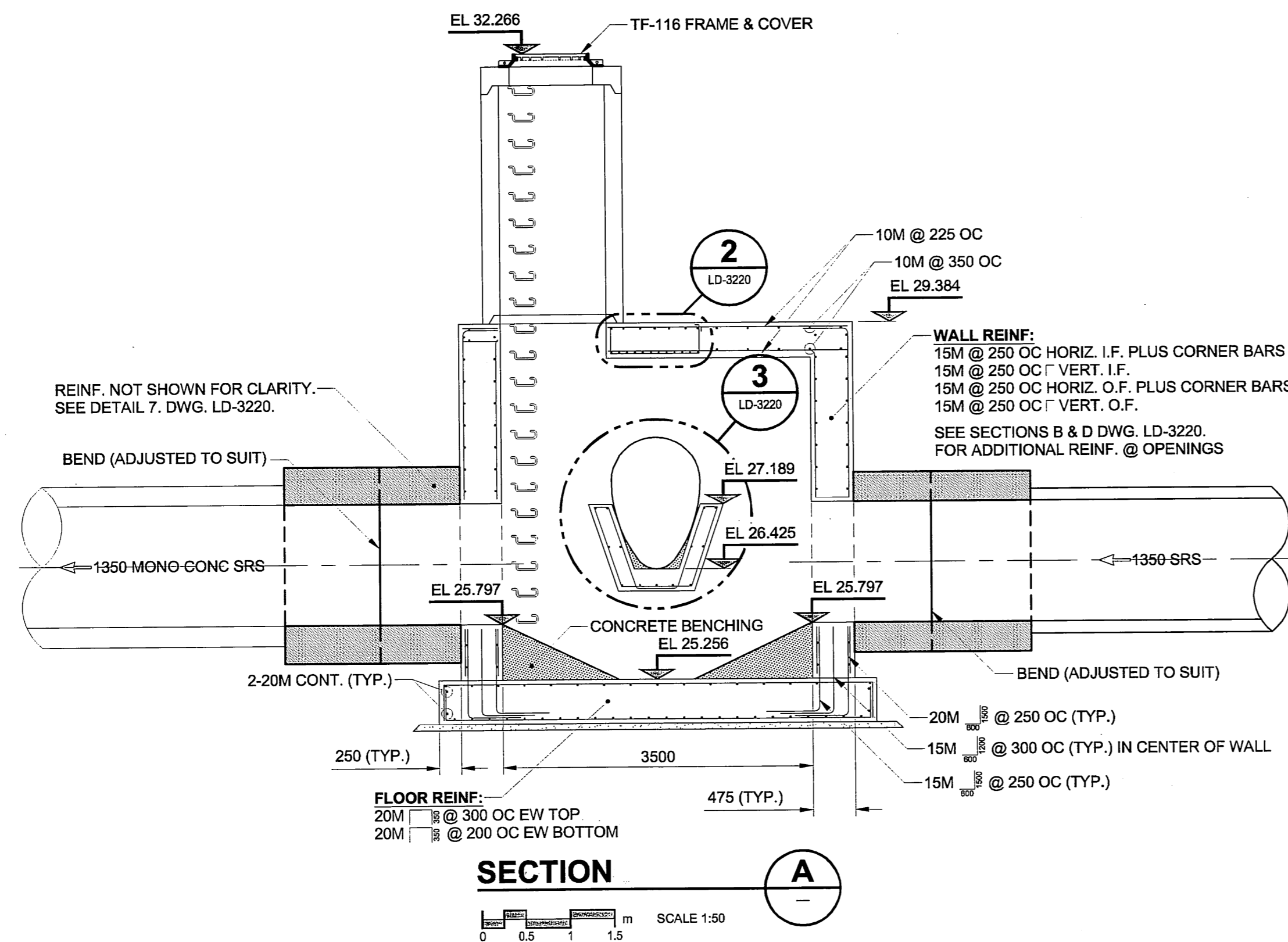
PLAN VIEW

SCALE 1:50



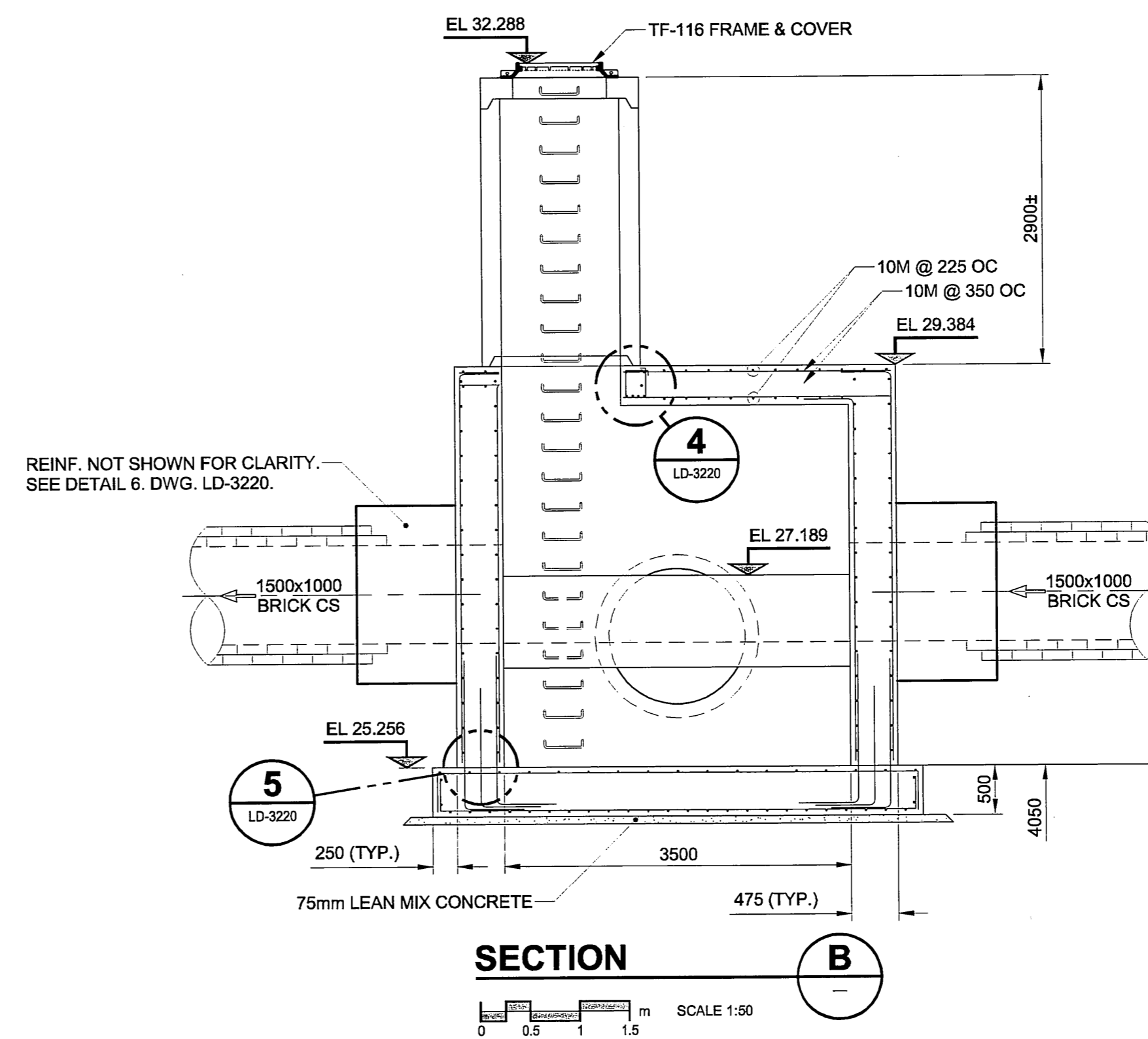
ROOF PLAN

SCALE 1:50



SECTION A-A

SCALE 1:50



SECTION B-B

SCALE 1:50

METRIC
WHOLE NUMBERS INDICATE MILLIMETRES
DECIMAL NUMBERS INDICATE METRES

APECM
Certificate of Authorization
UMA Engineering Ltd. (MB)
No. 256 Date: 07/07/10

CONSTRUCTION COMPLETION DATE
MAY 19, 2005
RECORD DRAWING

BID OPPORTUNITY NO. 584-2005

LOCATION APPROVED
UNDERGROUND STRUCTURES

SUPR. U/G STRUCTURES DATE COMMITTEE
NOTE:
LOCATION OF UNDERGROUND STRUCTURES AS SHOWN ARE BASED ON THE BEST INFORMATION AVAILABLE. BUT NO GUARANTEE IS GIVEN THAT ALL EXISTING UTILITIES ARE SHOWN OR THAT THE GIVEN LOCATIONS ARE EXACT. CONFIRMATION OF EXISTENCE AND EXACT LOCATION OF ALL SERVICES MUST BE OBTAINED FROM THE INDIVIDUAL UTILITIES BEFORE PROCEEDING WITH CONSTRUCTION.

1	ISSUED FOR RECORD	06/12/19	KMB
0	ISSUED FOR CONSTRUCTION	05/11/03	ADL
NO.	REVISIONS	YYMMDD	BY

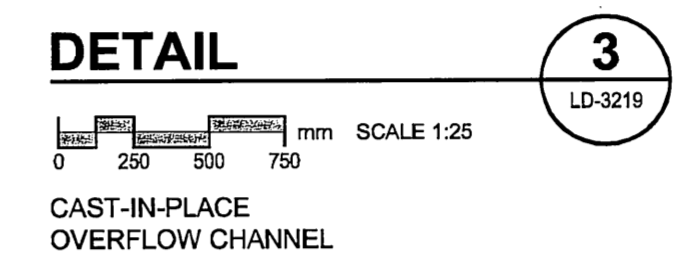
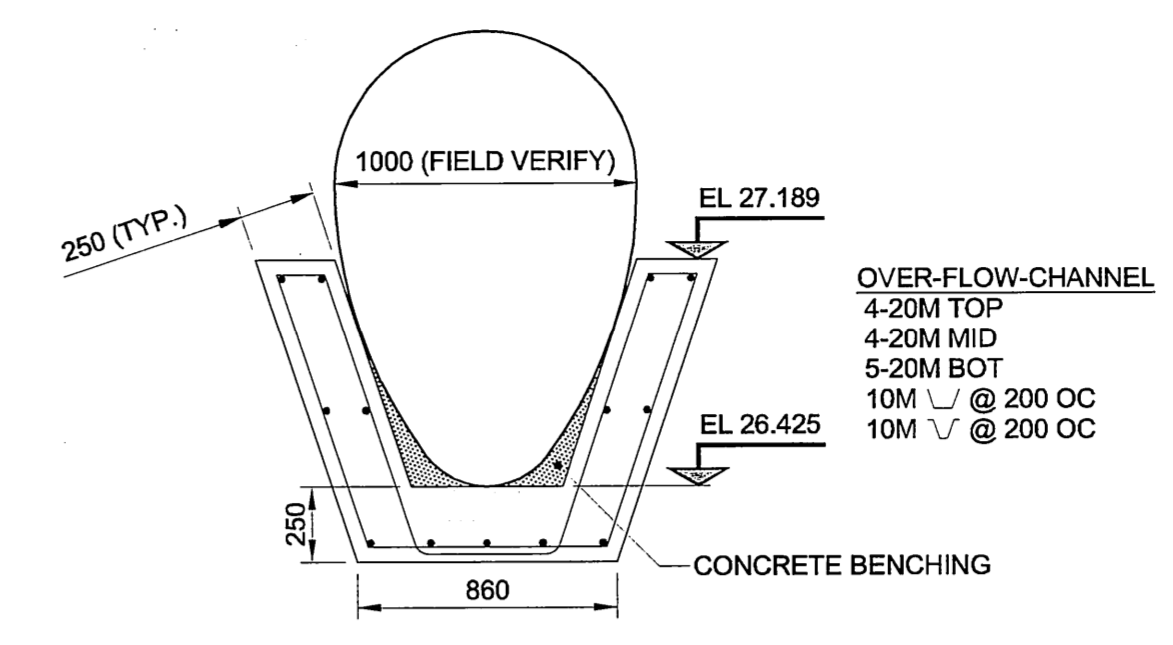
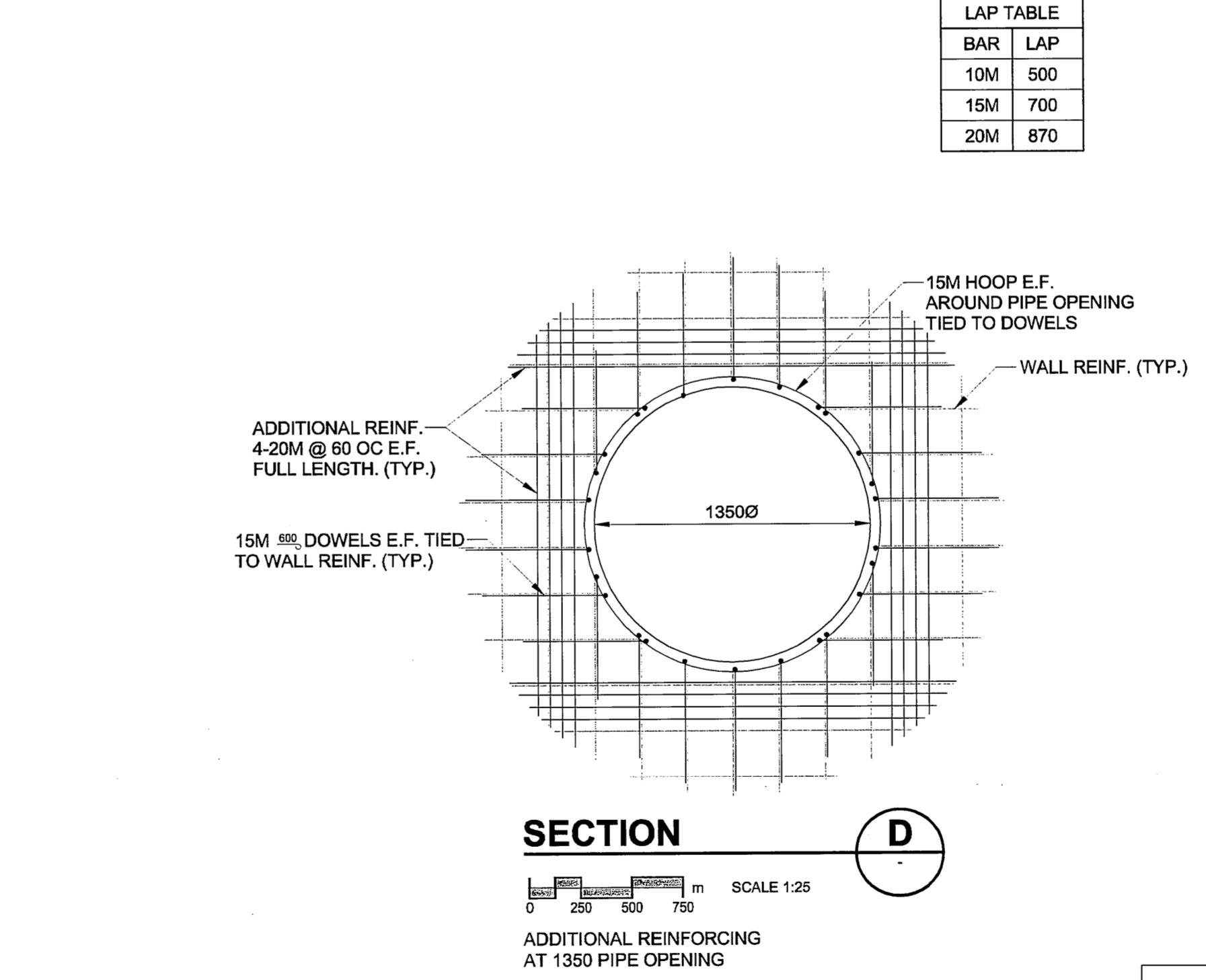
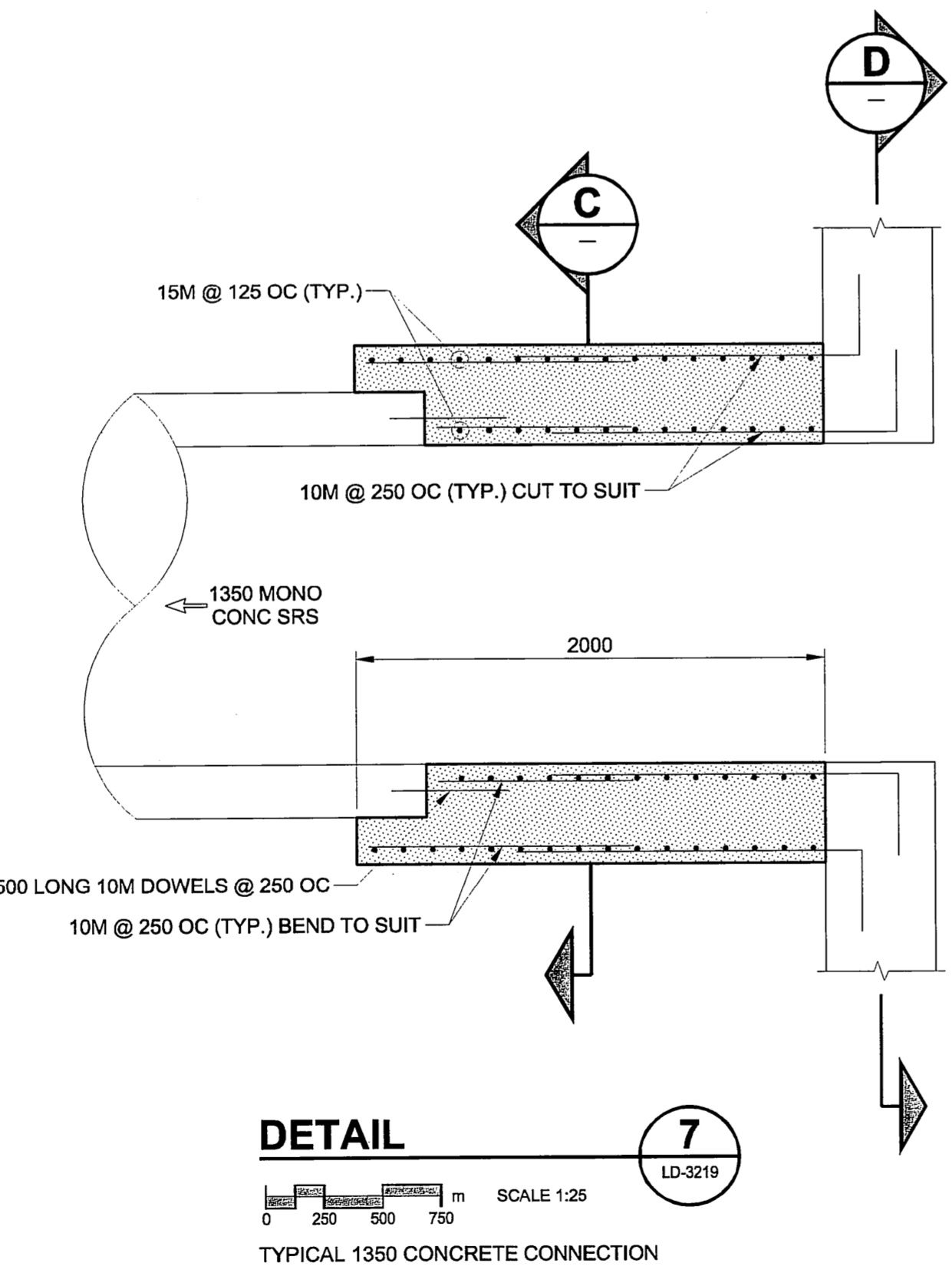
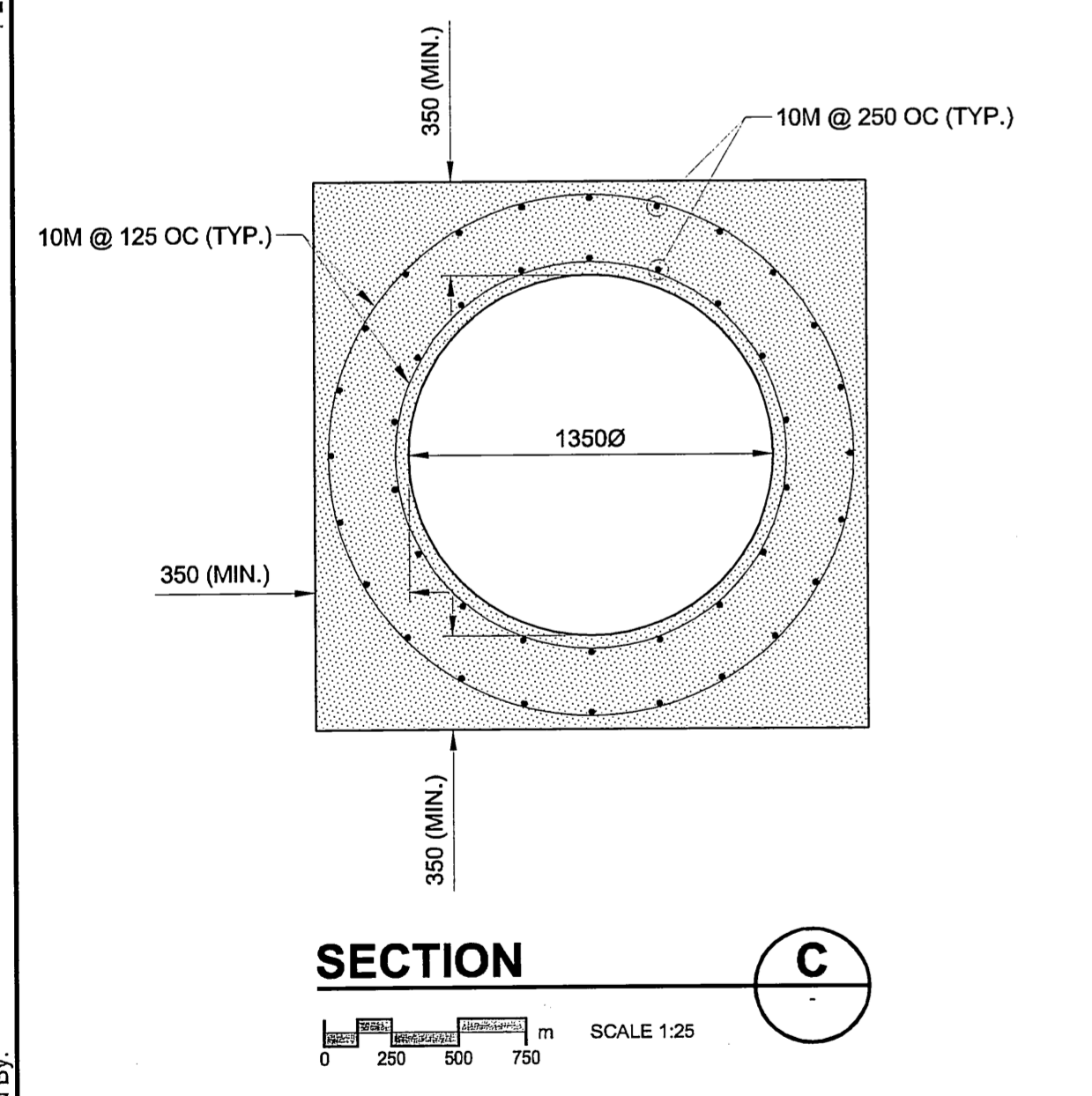
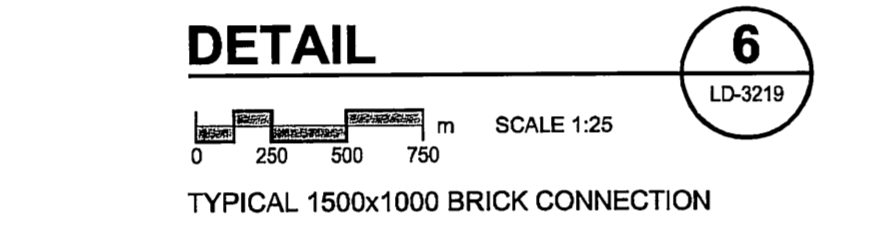
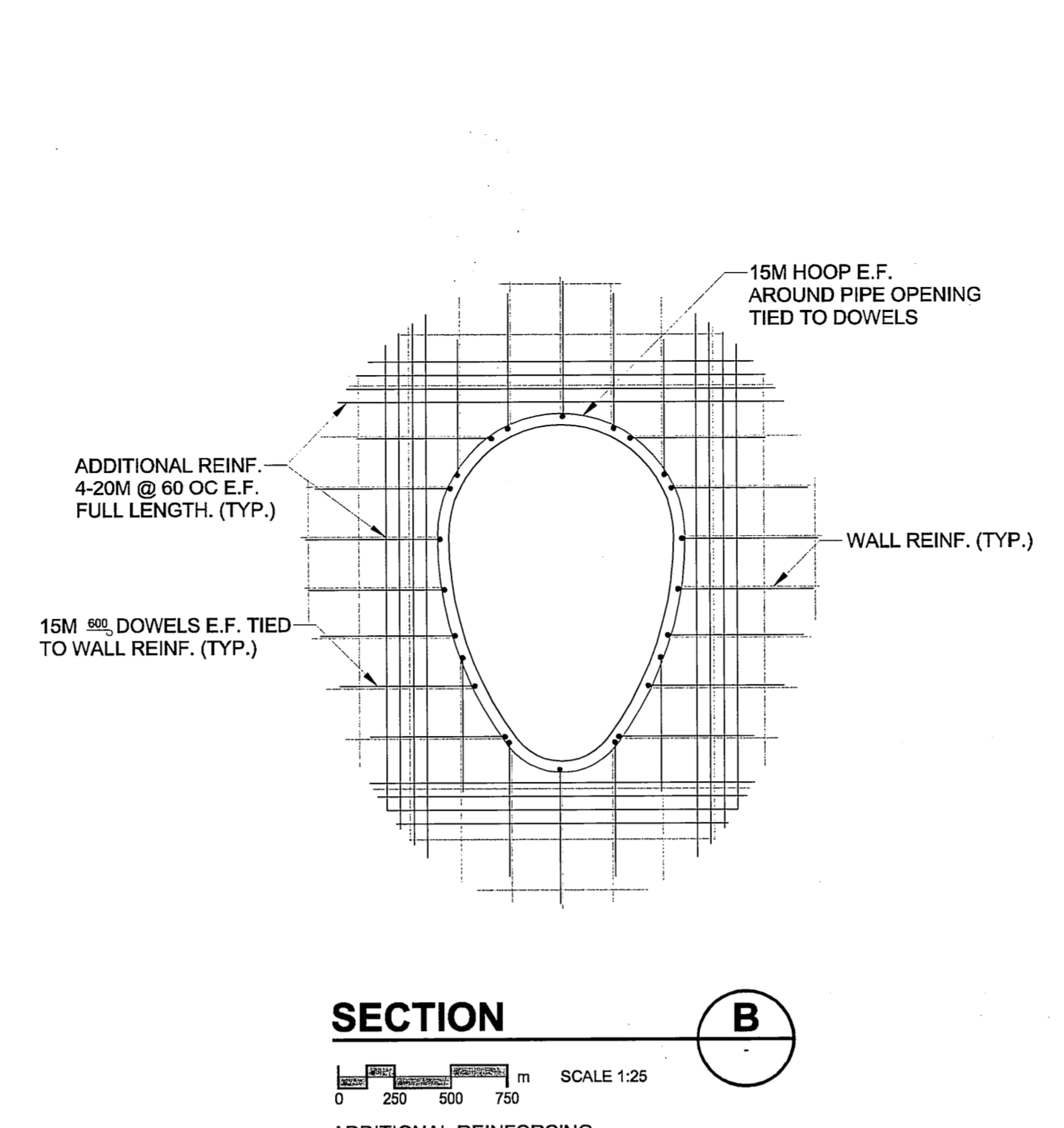
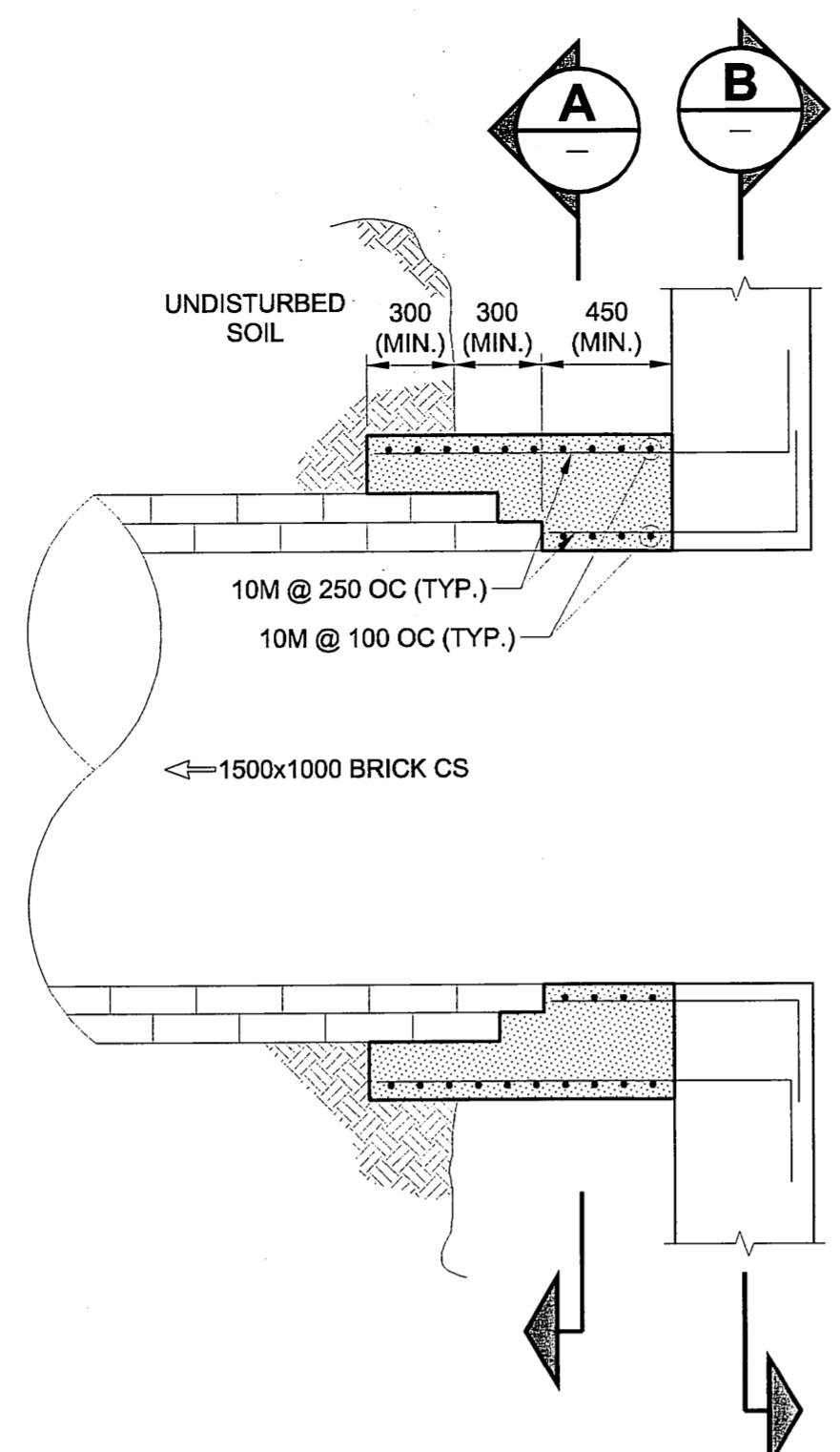
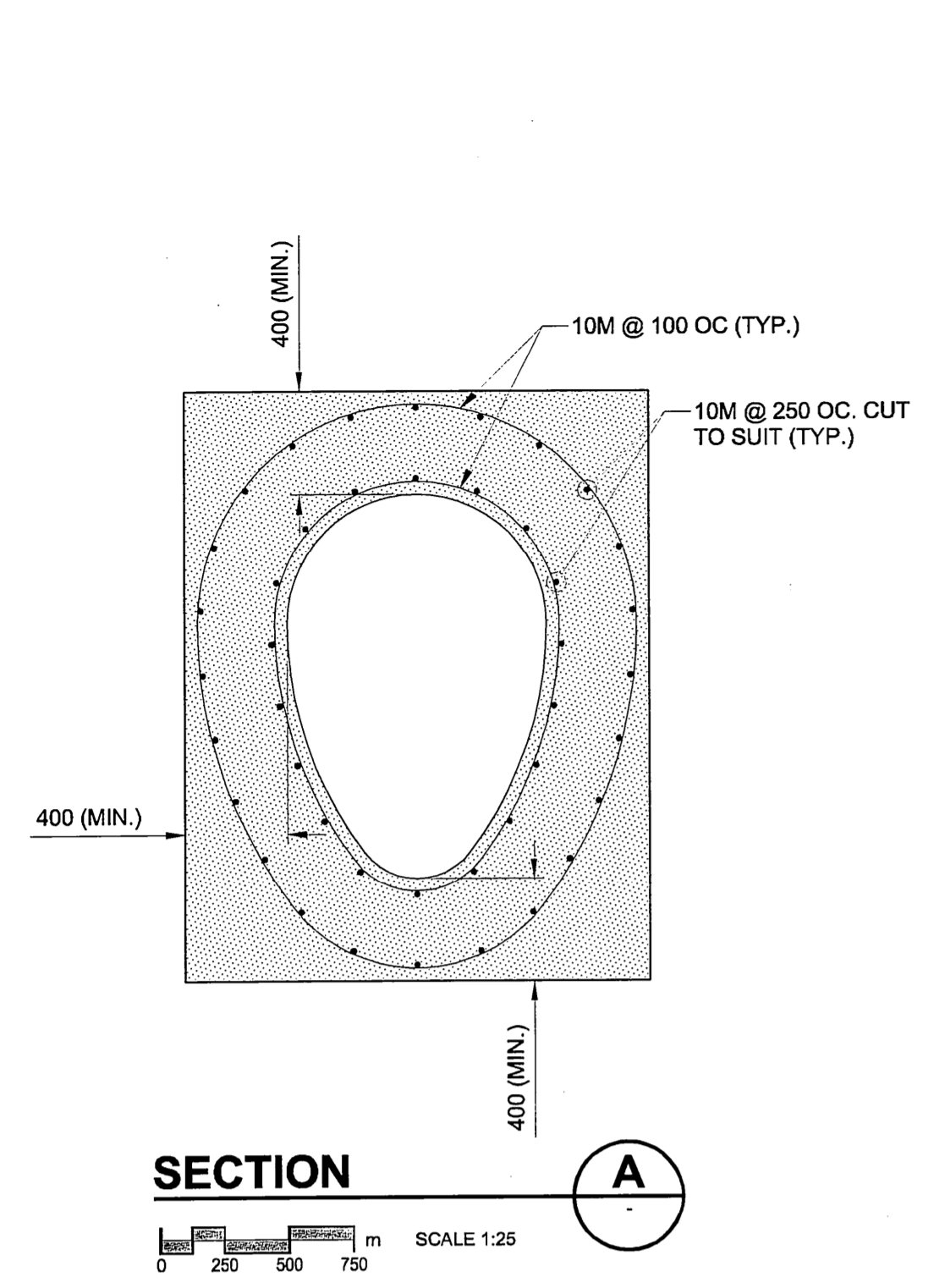
DESIGNED BY: GEB CHECKED BY: [Signature] DRAWN BY: ADL APPROVED BY: [Signature] HOR. SCALE: AS NOTED VERT. SCALE: N/A DATE: 07/07/10			
RELEASED FOR CONSTRUCTION DATE:			

PROFESSIONAL'S SEAL

 CONSULTANT DRAWING NO. 16
 D265-177-02

THE CITY OF WINNIPEG
WATER AND WASTE DEPARTMENT
ALEXANDER/BANNATYNE
COMBINED SEWER RELIEF
CONTRACT 2B
OVERFLOW STRUCTURE
 STRUCTURAL PLANS & SECTIONS

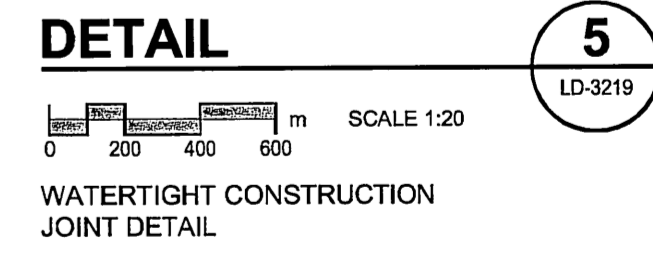
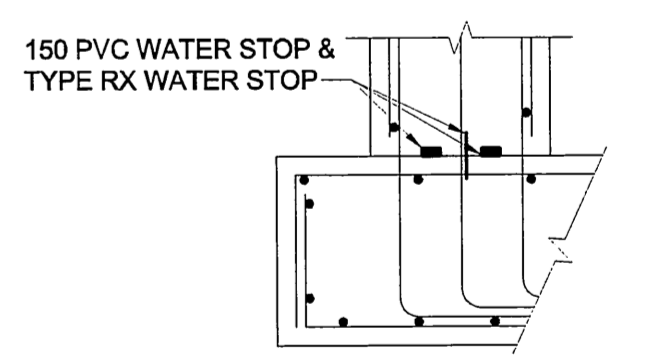
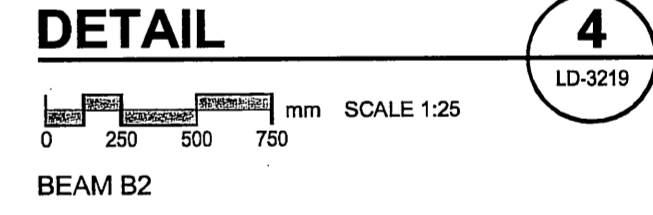
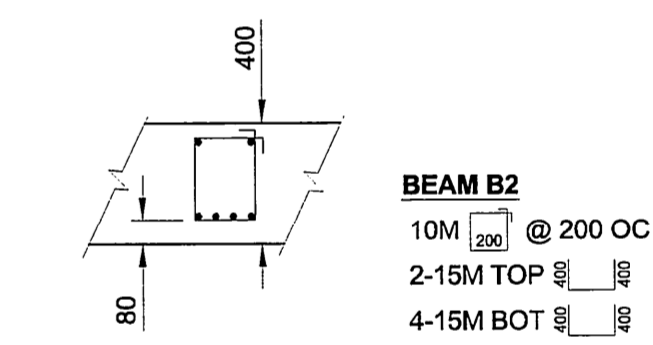
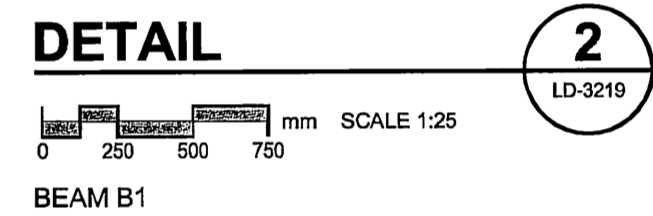
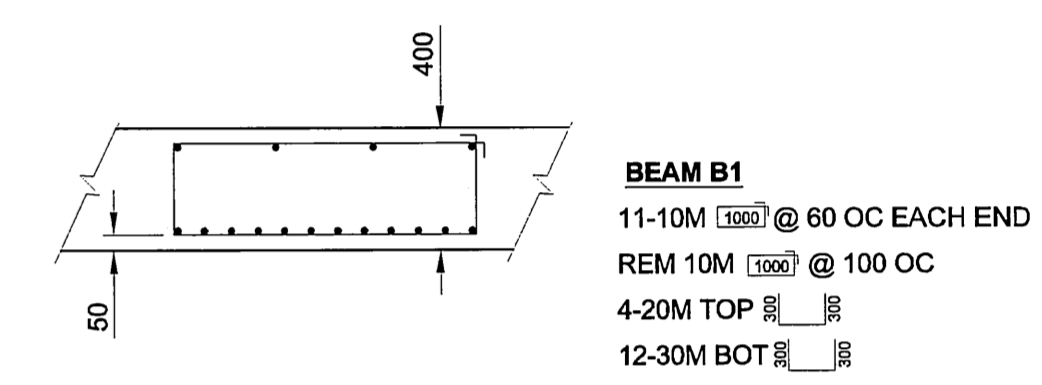
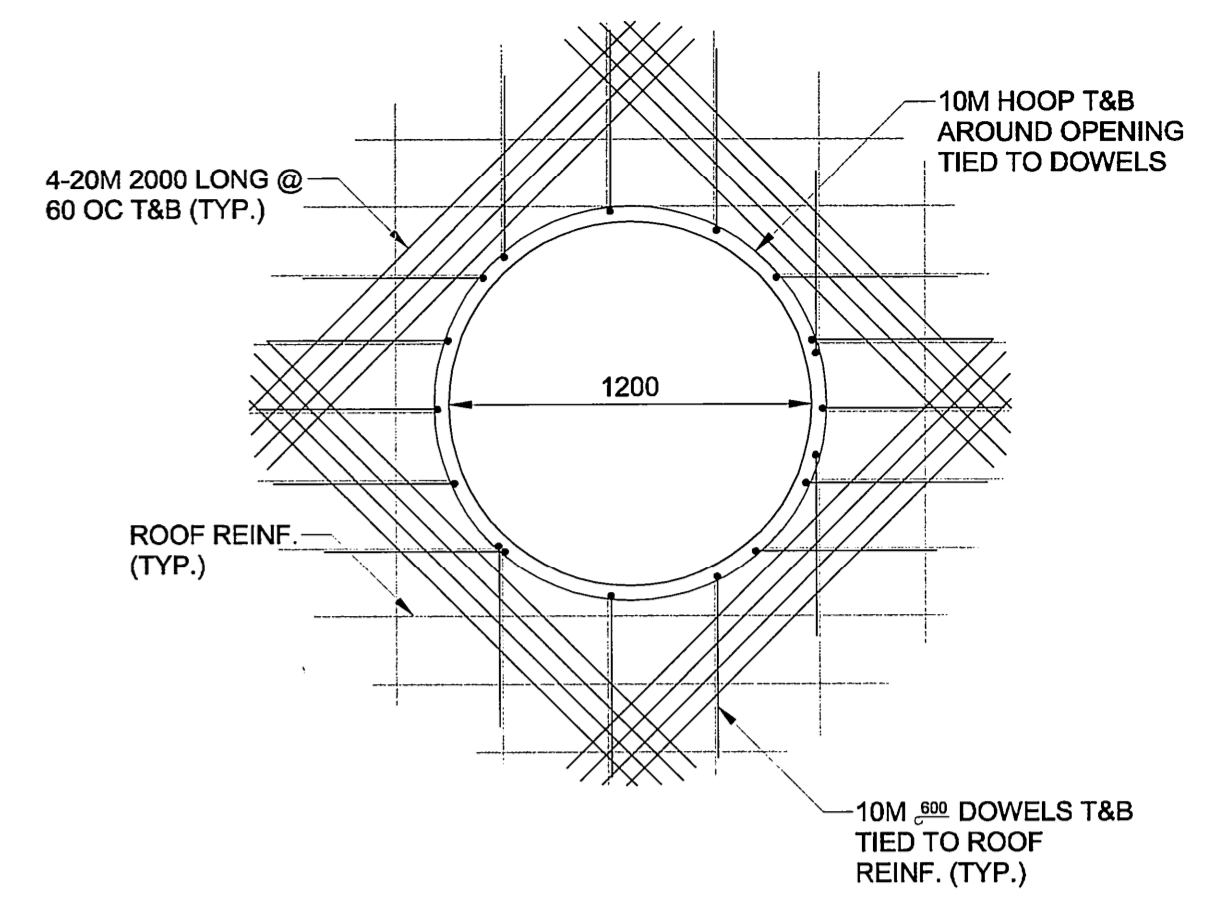
SHEET 16 OF 18
 CITY DRAWING NUMBER
LD-3219
 REV 1



HYDRAULIC CEMENT GROUT	EXPOXY GROUT
d = BAR DIA. +20mm	
Le: 10M - 150mm	d AND Le IN ACCORDANCE WITH MANUFACTURER'S PRINTED SPECIFICATIONS
15M - 200mm	
20M - 250mm	
25M - 300mm	

d = REINFORCING BAR DIAMETER
Le = LENGTH OF REINFORCING BAR

LAP TABLE	
BAR	LAP
10M	500
15M	700
20M	870



METRIC
WHOLE NUMBERS INDICATE MILLIMETRES
DECIMALIZED NUMBERS INDICATE METRES

APEGM
Certificate of Authorization
UMA Engineering Ltd. (MB)
No. 256 Date: 07/07/10

CONSTRUCTION COMPLETION DATE
2006 MAY 19

RECORD DRAWING

BID OPPORTUNITY NO. 584-2005

LOCATION APPROVED
UNDERGROUND STRUCTURES

SUPR. U/G STRUCTURES DATE COMMITTEE

NOTE:
LOCATION OF UNDERGROUND STRUCTURES AS SHOWN ARE BASED ON THE BEST INFORMATION AVAILABLE. BUT NO GUARANTEE IS GIVEN THAT ALL EXISTING UTILITIES ARE SHOWN OR THAT THE GIVEN LOCATIONS ARE EXACT. CONFIRMATION OF EXISTENCE AND EXACT LOCATION OF ALL SERVICES MUST BE OBTAINED FROM THE INDIVIDUAL UTILITIES BEFORE PROCEEDING WITH CONSTRUCTION.

NO.	REVISIONS	DATE	BY
1	ISSUED FOR RECORD	06/12/10	KMB
0	ISSUED FOR CONSTRUCTION	05/11/03	ADL

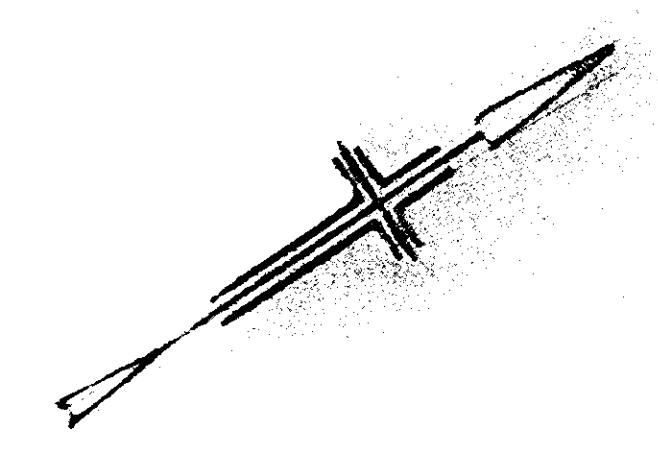
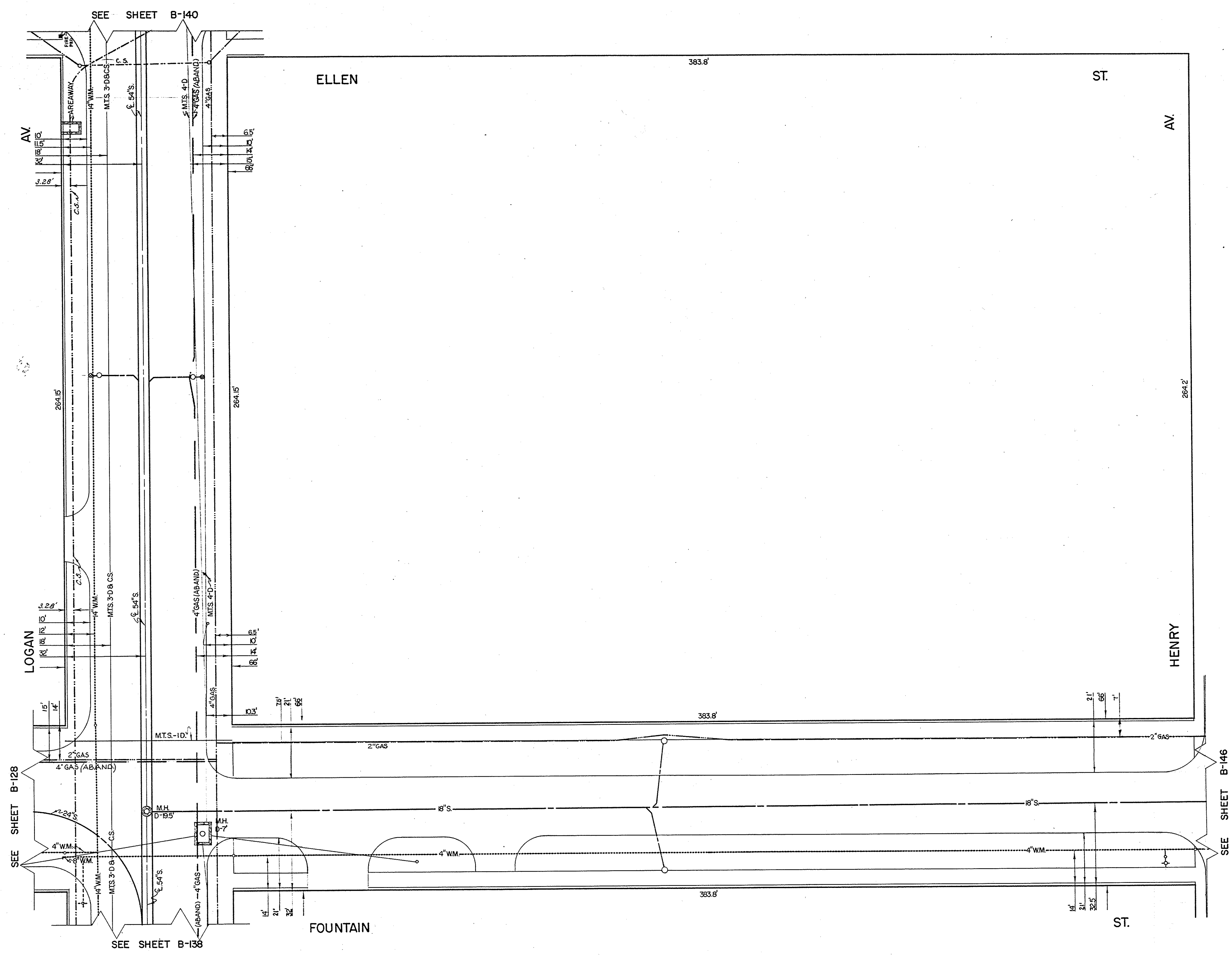
DESIGNED BY		CHECKED BY	
GEB		[Signature]	
DRAWN BY		APPROVED BY	
ADL		[Signature]	
HOR. SCALE		RELEASED FOR CONSTRUCTION	
AS NOTED		[Signature]	
VERT. SCALE		DATE	
N/A		07/07/10	

PROFESSIONAL'S SEAL
A. NAGY
REGISTERED PROFESSIONAL ENGINEER
CONSULTANT DRAWING NO. 17
D265-177-02

THE CITY OF WINNIPEG
WATER AND WASTE DEPARTMENT

ALEXANDER/BANNATYNE
COMBINED SEWER RELIEF
CONTRACT 2B
OVERFLOW STRUCTURE
STRUCTURAL SECTIONS & DETAILS

SHEET 17 OF 18
CITY DRAWING NUMBER
LD-3220
REV 1



SEE SHEET B-140

SEE SHEET B-128

SEE SHEET B-138

SEE SHEET B-146

NO	DATE	REVISION	BY	CHKD.
9	80-07-19		B.W.	
8	83-03-16		R.D.	
7	79-04-24		B.K.	
6	12-12-74		R.D.	
5	13-3-73		I.Z.	
4	27-1-72		G.H.	
3	1-28-70		G.H.	
11	88-09-03		D.G.	
10	87-04-23		R.D.	

NO	DATE	REVISION	BY	CHKD.
9	80-07-19		B.W.	
8	83-03-16		R.D.	
7	79-04-24		B.K.	
6	12-12-74		R.D.	
5	13-3-73		I.Z.	
4	27-1-72		G.H.	
3	1-28-70		G.H.	
11	88-09-03		D.G.	
10	87-04-23		R.D.	

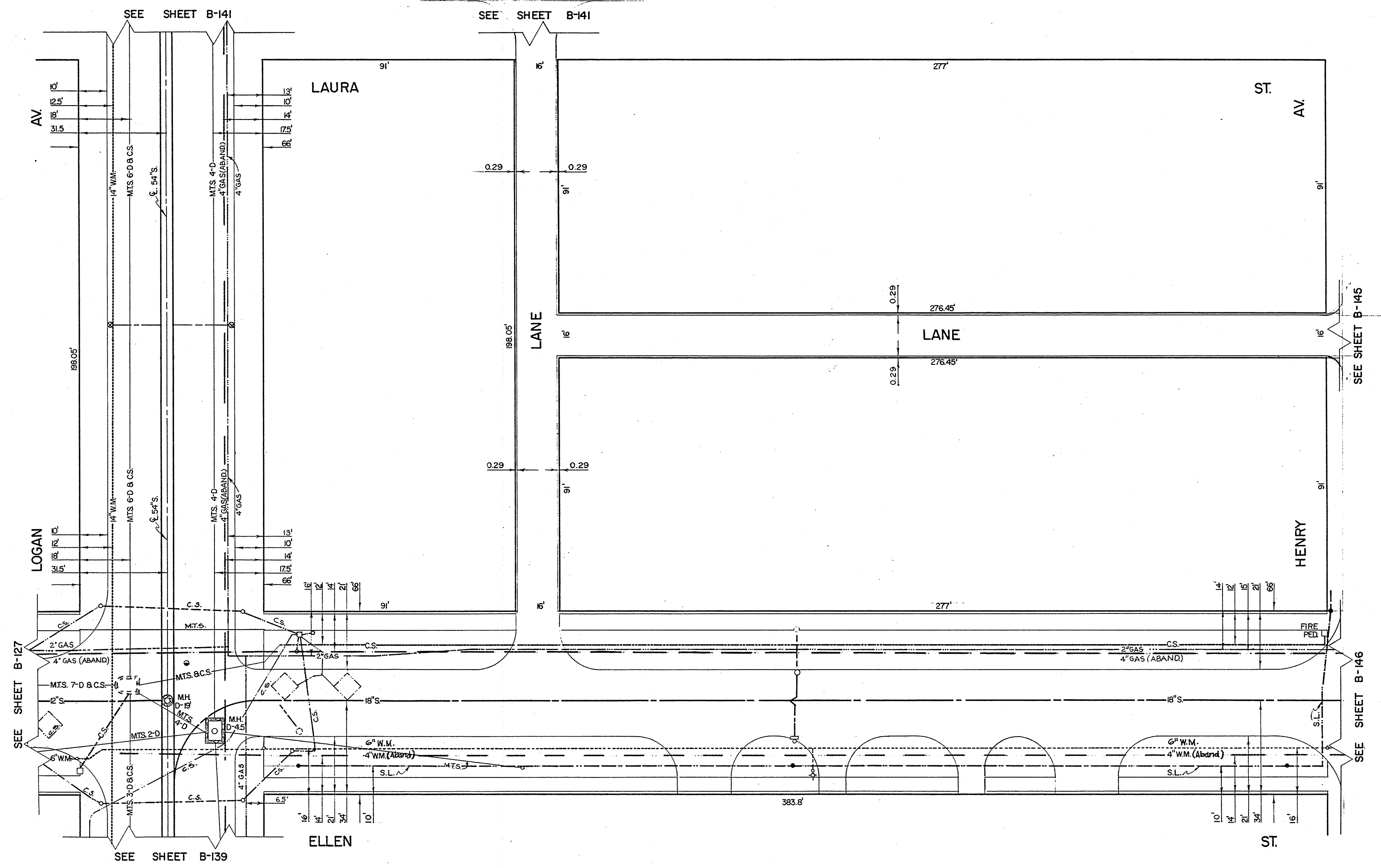
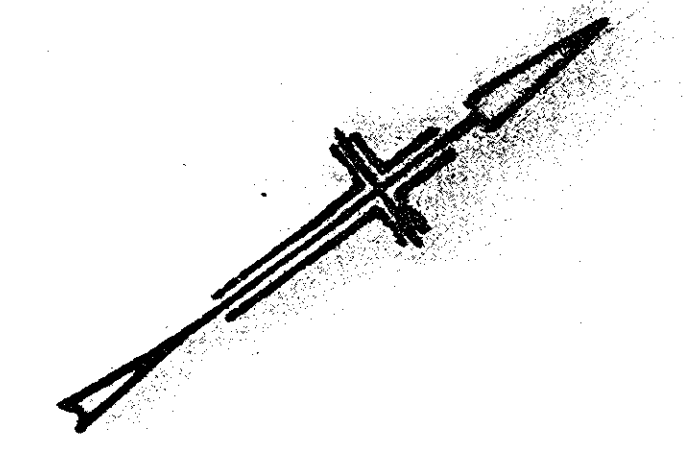
BLOCK BOUNDED BY
HENRY - LOGAN
FOUNTAIN - ELLEN

THE CITY OF WINNIPEG
UNDERGROUND STRUCTURES

DRAWN BY K.M. HUCKLE
TRACED BY W. SCHWARZENAU
CHECKED BY [Signature]
DATE 20-2-64

SCALE
1" = 20'
SHEET NO.
B-139

LOCATION OF UNDERGROUND STRUCTURES AS SHOWN, ARE BASED ON BEST INFORMATION AVAILABLE, BUT NO GUARANTEE IS GIVEN THAT ALL EXISTING UTILITIES ARE SHOWN, AND EXACT LOCATIONS OF ALL UNDERGROUND UTILITIES AND SERVICE CONNECTIONS, MUST BE CHECKED BY THE UTILITY CONCERNED BEFORE PROCEEDING WITH CONSTRUCTION.



NO	DATE	REVISION	BY	CHKD.
9	89-07-24		SW	
8	88-03-17		BW	
7	79-01-25		B.K.	
6	13-12-74		R.D.	
5	13-3-73		I.Z.	
4	27-1-72		G.	
3	1-28-70		S.	
2	2-11-69		M.L.	
10	87-04-23		R.D.	

NO	DATE	REVISION	BY	CHKD.
9	89-07-24		SW	
8	88-03-17		BW	
7	79-01-25		B.K.	
6	13-12-74		R.D.	
5	13-3-73		I.Z.	
4	27-1-72		G.	
3	1-28-70		S.	
2	2-11-69		M.L.	
10	87-04-23		R.D.	

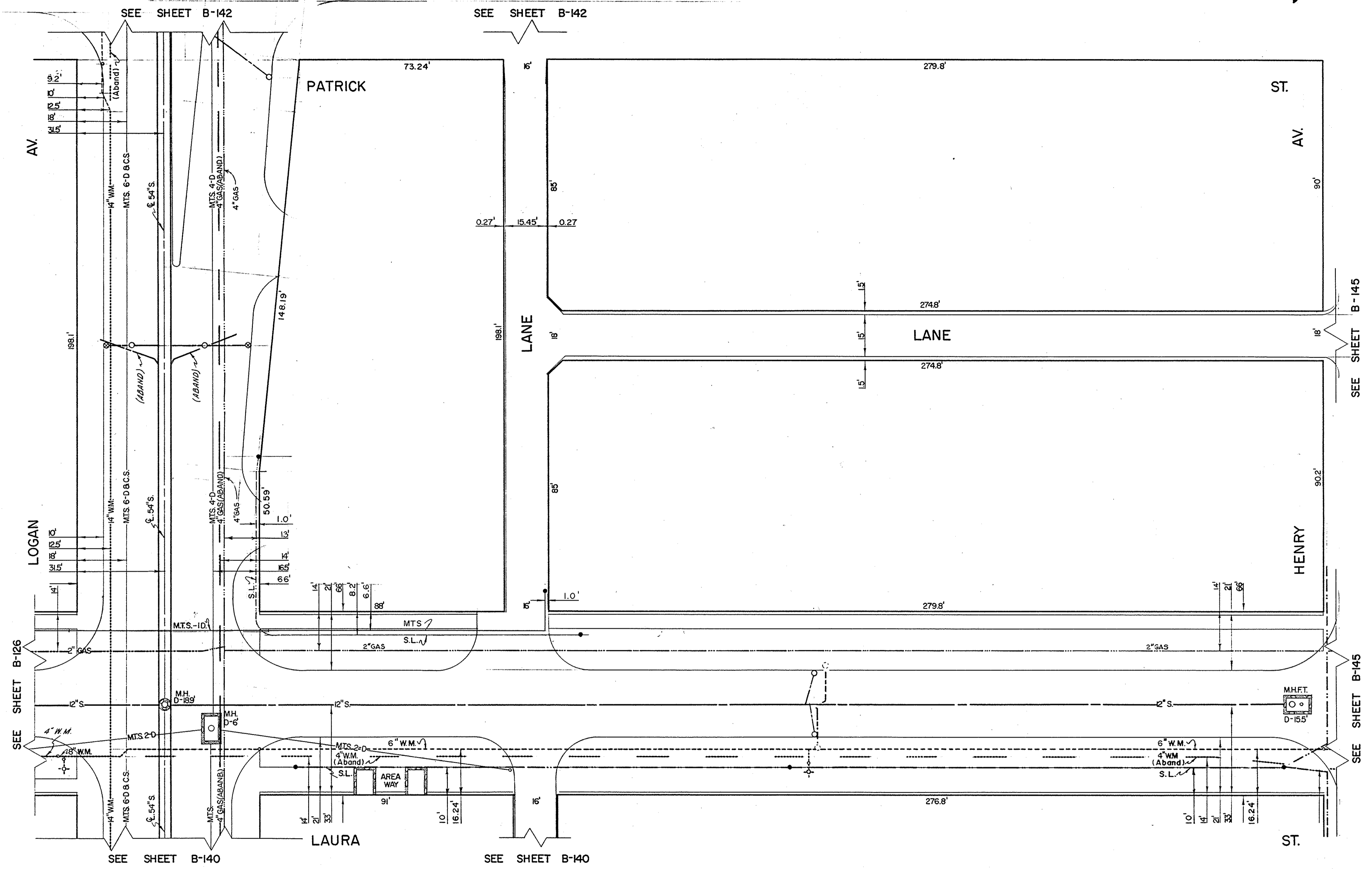
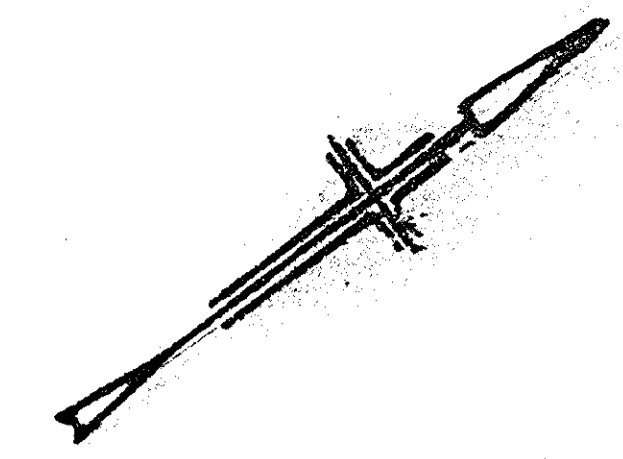
BLOCK BOUNDED BY
HENRY - LOGAN
ELLEN - LAURA

THE CITY OF WINNIPEG
UNDERGROUND STRUCTURES

DRAWN BY: K.M. HUCKLE
TRACED BY: W. SCHWARZENAU
CHECKED BY: [Signature]
DATE: 10 JAN. 1966

SCALE
1" = 20'
SHEET NO.
B-140

LOCATION OF UNDERGROUND STRUCTURES AS SHOWN ARE BASED ON BEST INFORMATION AVAILABLE, BUT NO GUARANTEE IS GIVEN THAT ALL EXISTING UTILITIES ARE SHOWN, AND EXACT LOCATIONS OF ALL UNDERGROUND UTILITIES AND SERVICE CONNECTIONS MUST BE CHECKED WITH THE UTILITY CONCERNED BEFORE PROCEEDING WITH CONSTRUCTION.



NO	DATE	REVISION	BY	CHKD
9	91-03-06		DJH	
7	85-07-22		RD	
6	83-03-17		AD	
5	13-3-73		JZ	
4	27-1-72		GH	
3	1-28-70		GH	
2	2-11-69		M.L.	
8	87-04-28		RD	

SYMBOL	DESCRIPTION
D	M.H. DEPTH PAV'T. TO FLOOR
+	HYDRANT
+	WATER VALVES
□	SERVICE BOX
○	CATCH BASIN
○	ST LIGHTING POLE
○	SURVEY BAR
---	W.H.E.S.
---	M.T.S.
---	CITY SIGNALS
---	ST LIGHTING
---	SEWER (S)
---	WATERMANS
---	GAS
---	W.H.E.S. STEAM HT.
---	W.C.H.T CO. STEAM HT.
---	C.P.R.Y. TELEGRAPHS
---	C.N.R.Y.

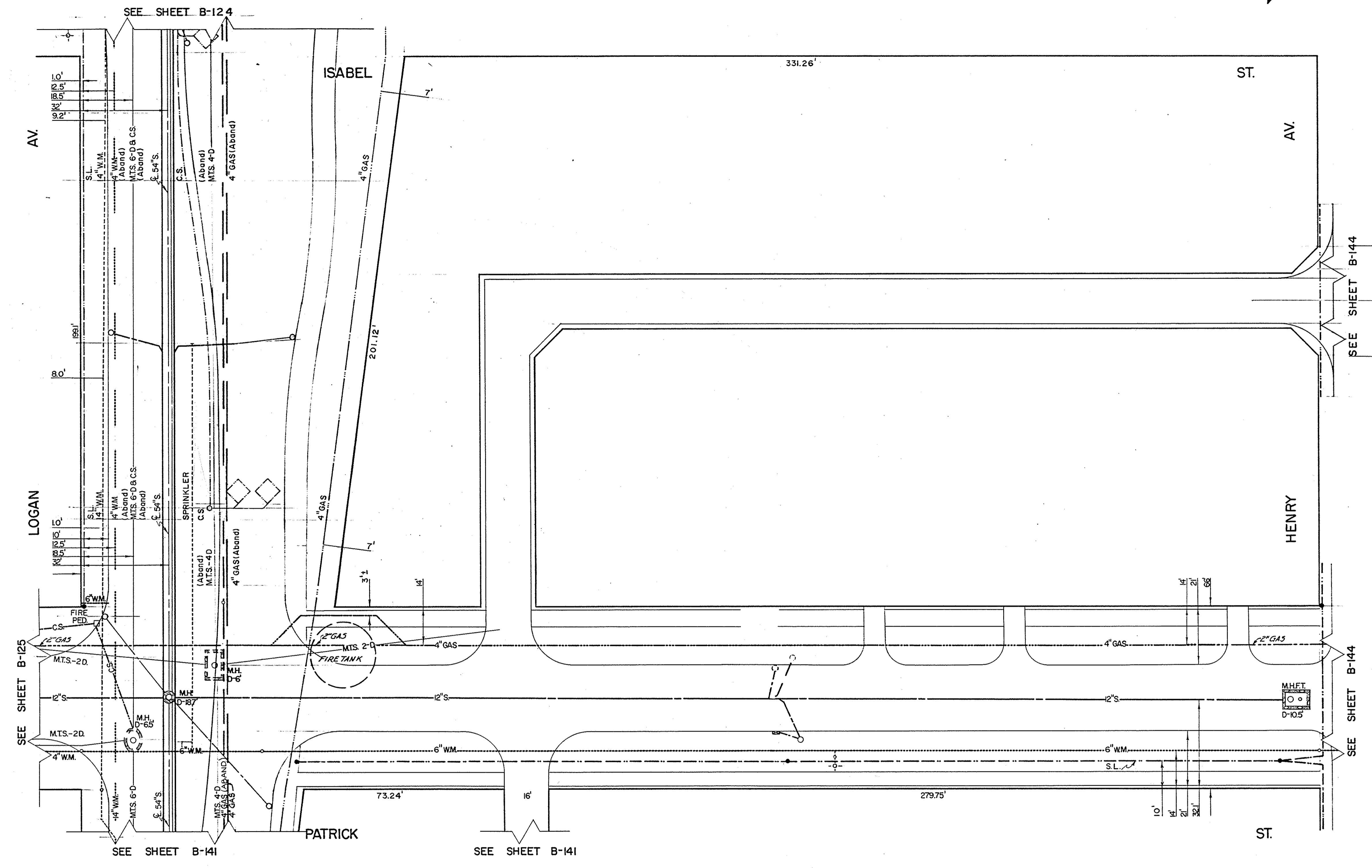
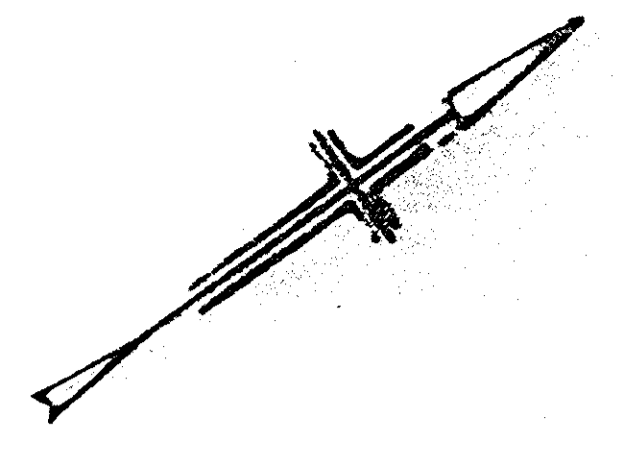
BLOCK BOUNDED BY
HENRY - LOGAN
LAURA - PATRICK

THE CITY OF WINNIPEG
UNDERGROUND STRUCTURES

DRAWN BY: K.M.HUCKLE
TRACED BY: W.SCHWARZENAU
CHECKED BY: [Signature]
DATE: 11 DEC 1983

SCALE
1" = 20'
SHEET NO.
B-141

LOCATION OF UNDERGROUND STRUCTURES AS SHOWN ARE BASED ON BEST INFORMATION AVAILABLE BUT NO GUARANTEE IS GIVEN THAT ALL EXISTING UTILITIES ARE SHOWN AND EXACT LOCATIONS OF ALL UNDERGROUND INCLUDING SERVICE CONNECTIONS, MUST BE CHECKED WITH THE AGENCY CONCERNED BEFORE PROCEEDING WITH CONSTRUCTION.



M.H. DEPTH PAV'T. TO FLOOR	D.
HYDRANT	+
WATER VALVES	+
SERVICE BOX	□
CATCH BASIN	○
ST LIGHTING POLE	●
SURVEY BAR	○
W.H.E.S.	—
M.T.S.	—
CITY SIGNALS	—
ST LIGHTING	—
SEWER (S)	—
WATERMANS	—
GAS	—
W.H.E.S. STEAM HT.	—
W.G.H.T CO. STEAM HT.	—
C.P.R.Y. TELEGRAPHS	—
C.N.R.Y.	—

NO	DATE	REVISION	BY	CHKD.
7	85-07-25		R.D.	
6	17-5-77		WKH	
5	13-3-73		IZ	
4	27-1-72		GH	
3	1-29-70		GH	
2	2-11-69		M.L.	
1	3-15-66		H.R.	

BLOCK BOUNDED BY
HENRY - LOGAN
PATRICK - ISABEL

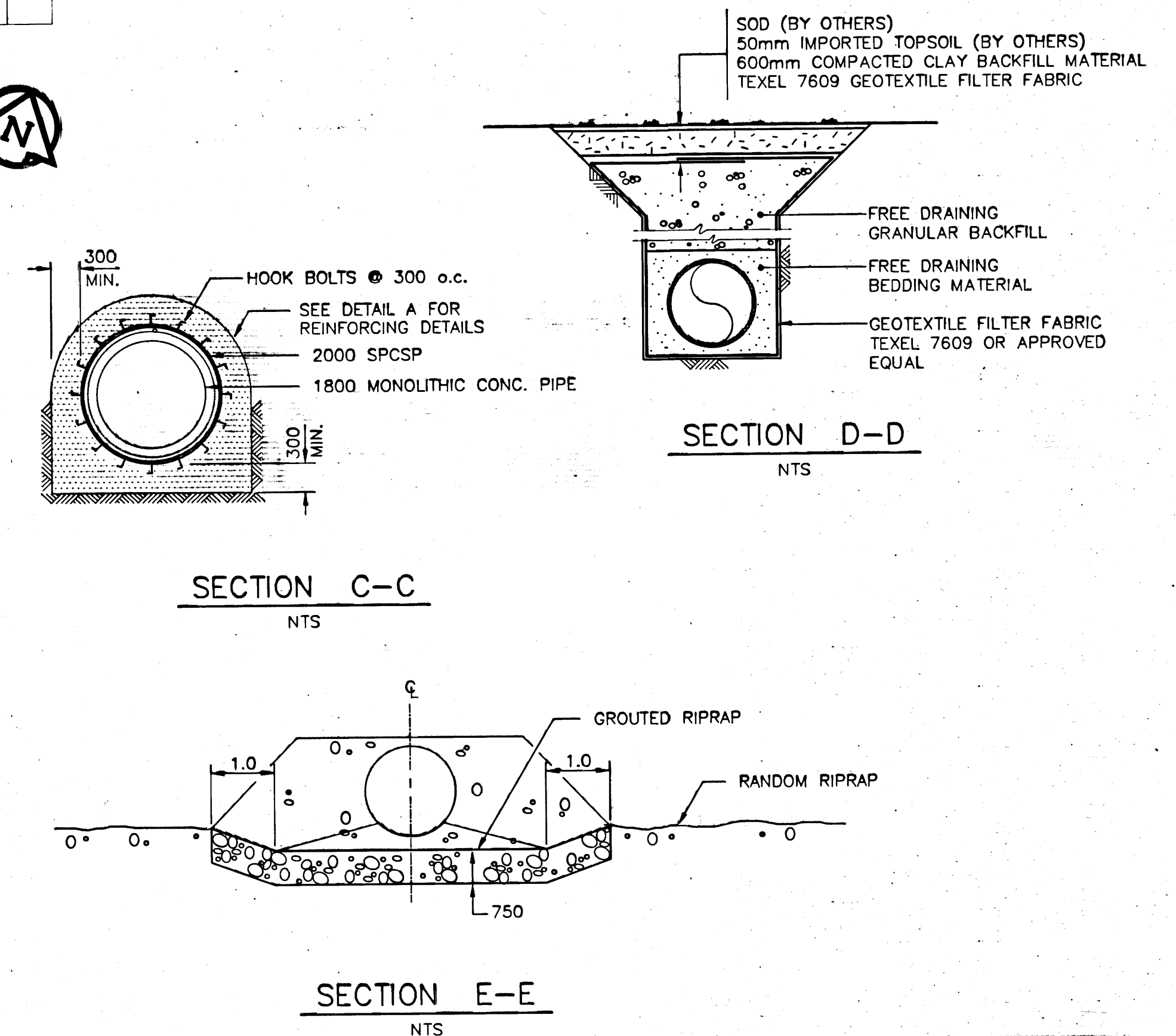
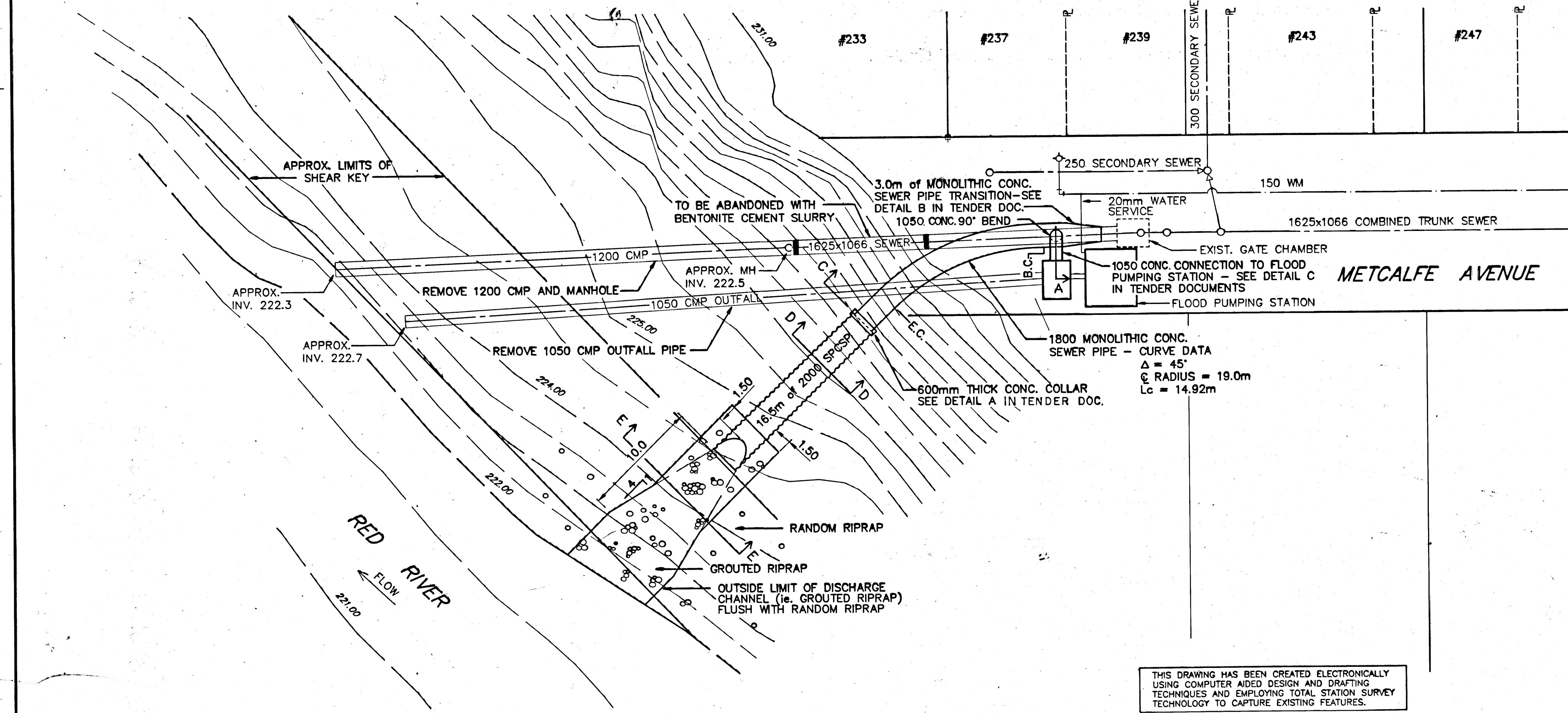
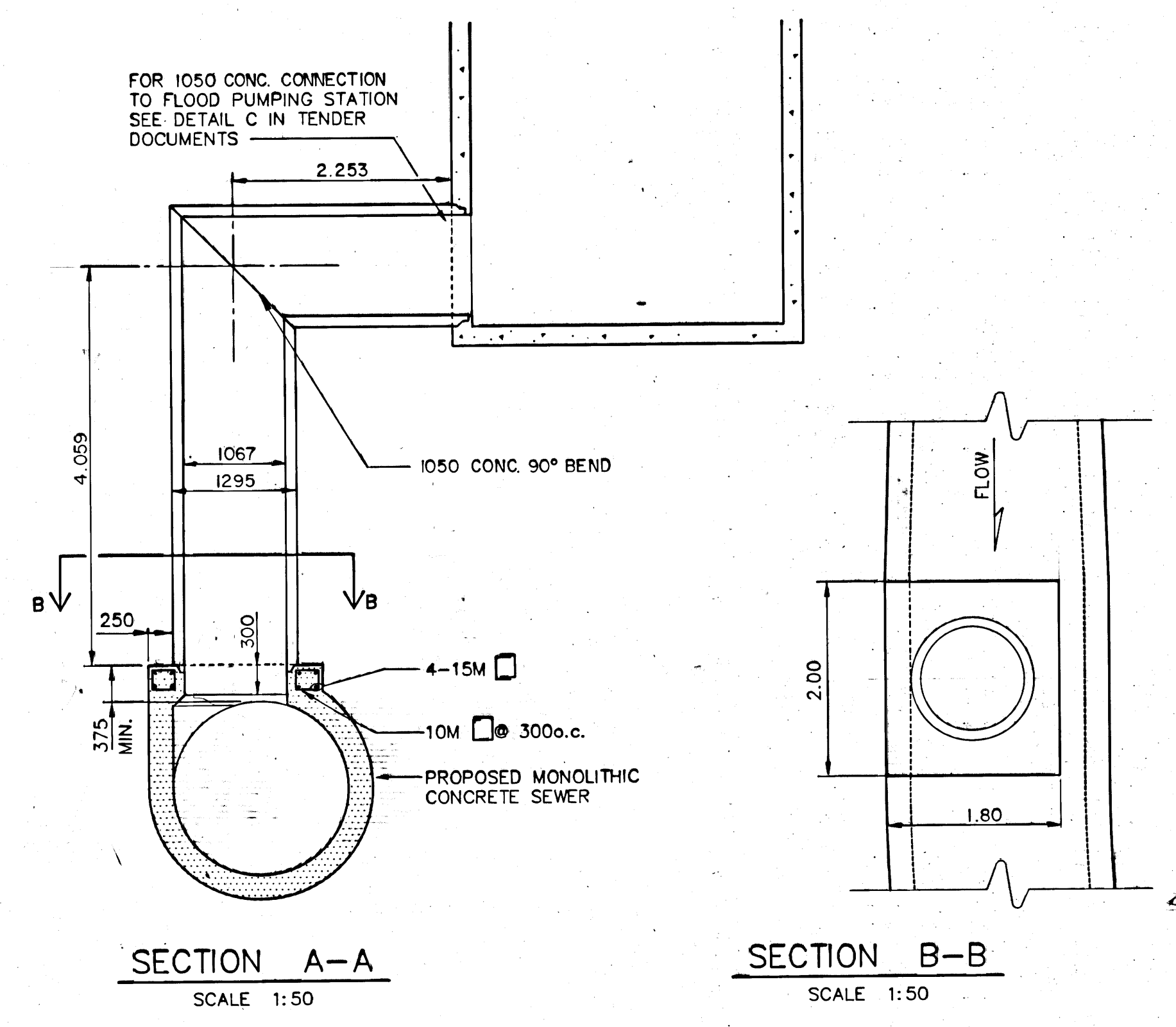
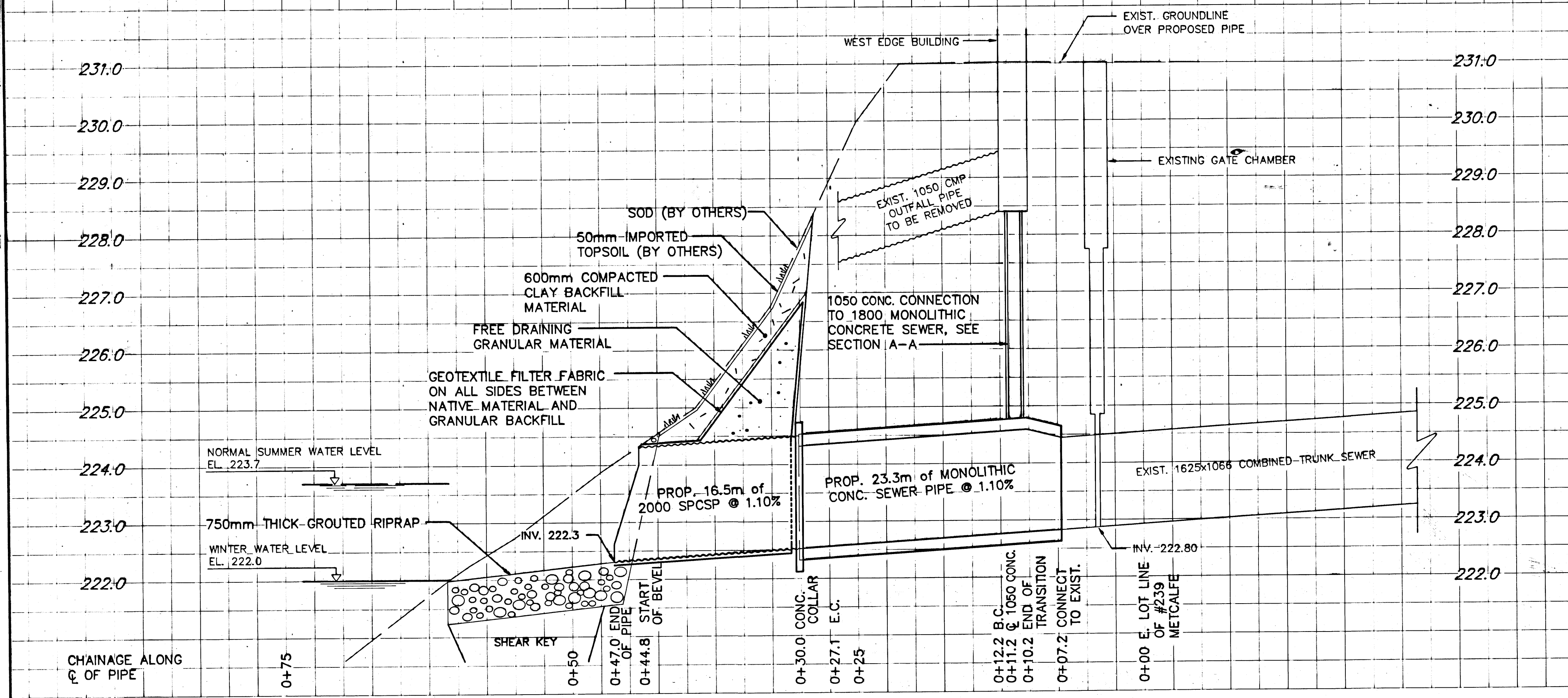
THE CITY OF WINNIPEG
UNDERGROUND STRUCTURES

DRAWN BY: K.M. HUCKLE
TRACED BY: W. SCHWARZENAU
CHECKED BY: [Signature]
DATE: 26-2-64

SCALE
1" = 20'
SHEET NO.
B-142

LOCATIONS OF UNDERGROUND STRUCTURES AS SHOWN ARE BASED ON THE BEST INFORMATION AVAILABLE, BUT NO GUARANTEE IS GIVEN THAT ALL EXISTING UTILITIES ARE SHOWN OR THAT LOCATIONS OF ALL UTILITIES INCLUDING SERVICE CONNECTIONS, MUST BE CHECKED WITH THE UTILITY CONCERNED BEFORE ANY CONSTRUCTION.

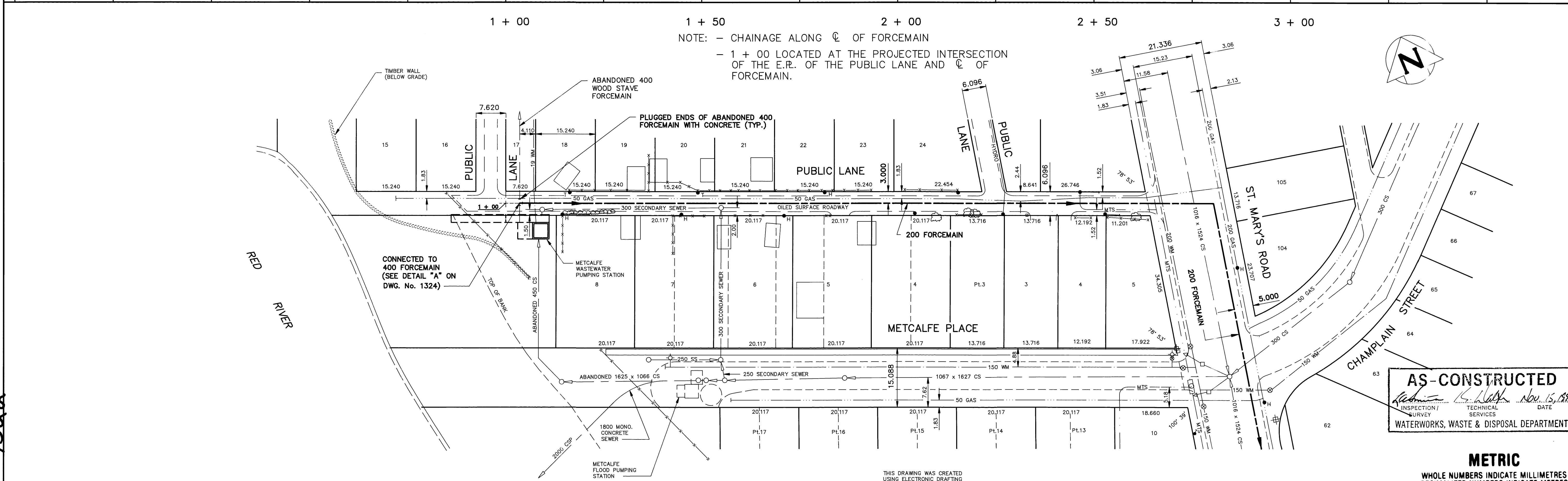
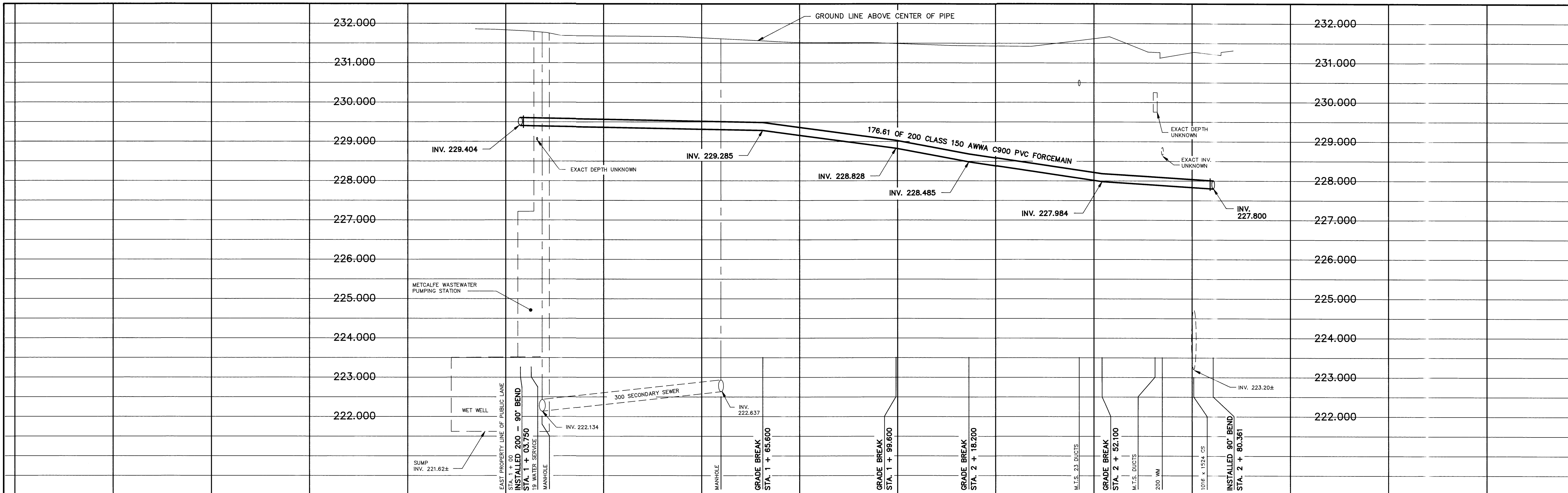
REF. or DRAWING No. **LD-1144**
DETAILS: FILE NO. **0010052**



THIS DRAWING HAS BEEN CREATED ELECTRONICALLY USING COMPUTER AIDED DESIGN AND DRAFTING TECHNIQUES AND EMPLOYING TOTAL STATION SURVEY TECHNOLOGY TO CAPTURE EXISTING FEATURES.

RECORD DRAWING

<table border="1"> <tr> <th>150 mm W.M.</th> <th>WATERMAIN</th> <th>150 mm W.M.</th> <th>HYDRO</th> <th>150 mm W.M.</th> <th>WATERMAIN</th> </tr> <tr> <td></td> <td>HYDRANT VALVE</td> <td></td> <td>M.T.S.</td> <td></td> <td>HYDRANT VALVE</td> </tr> <tr> <td></td> <td>LAND DRAINAGE SEWER</td> <td></td> <td>CONCRETE ASPHALT</td> <td></td> <td>LAND DRAINAGE SEWER</td> </tr> <tr> <td></td> <td>WASTE WATER SEWER</td> <td></td> <td>PROPERTY LINE</td> <td></td> <td>WASTE WATER SEWER</td> </tr> <tr> <td></td> <td>JUNCTION</td> <td></td> <td>SURVEY BAR</td> <td></td> <td>Q PROFILE</td> </tr> </table>	150 mm W.M.	WATERMAIN	150 mm W.M.	HYDRO	150 mm W.M.	WATERMAIN		HYDRANT VALVE		M.T.S.		HYDRANT VALVE		LAND DRAINAGE SEWER		CONCRETE ASPHALT		LAND DRAINAGE SEWER		WASTE WATER SEWER		PROPERTY LINE		WASTE WATER SEWER		JUNCTION		SURVEY BAR		Q PROFILE	<table border="1"> <tr> <th>EXISTING</th> <th>LEGEND-PLAN</th> <th>PROPOSED</th> <th>EXISTING</th> <th>LEGEND-PLAN</th> <th>PROPOSED</th> <th>EXISTING</th> <th>LEGEND-PROFILE</th> <th>PROPOSED</th> </tr> <tr> <td></td> <td></td> <td></td> <td></td> <td></td> <td></td> <td></td> <td></td> <td></td> </tr> <tr> <td></td> <td></td> <td></td> <td></td> <td></td> <td></td> <td></td> <td></td> <td></td> </tr> <tr> <td></td> <td></td> <td></td> <td></td> <td></td> <td></td> <td></td> <td></td> <td></td> </tr> </table>	EXISTING	LEGEND-PLAN	PROPOSED	EXISTING	LEGEND-PLAN	PROPOSED	EXISTING	LEGEND-PROFILE	PROPOSED																												<p>LOCATION APPROVED UNDERGROUND STRUCTURES</p> <p>DATE: _____</p> <p>NOTE: LOCATION OF UNDERGROUND STRUCTURES AS SHOWN ARE BASED ON THE BEST INFORMATION AVAILABLE, BUT NO GUARANTEE IS GIVEN THAT ALL EXISTING UTILITIES ARE SHOWN OR THAT THE GIVEN LOCATIONS ARE EXACT. CONFIRMATION OF EXISTENCE AND EXACT LOCATION OF ALL SERVICES MUST BE OBTAINED FROM THE INDIVIDUAL UTILITIES BEFORE PROCEEDING WITH CONSTRUCTION.</p>	<p>B.M. ELEV.</p> <table border="1"> <tr><td> </td><td> </td><td> </td><td> </td><td> </td><td> </td></tr> <tr><td> </td><td> </td><td> </td><td> </td><td> </td><td> </td></tr> </table>													<p>UMA Engineering Ltd. Engineers & Planners 1479 Buffalo Place, Winnipeg, Manitoba, Canada R3T 1L7</p> <p>DESIGNED BY: CCM LGC DRAWN BY: DML CHECKED BY: FFB 07 APPROVED BY: [Signature] RELEASED FOR CONSTRUCTION BY: [Signature] DATE: Feb 8, 1989</p>	<p>ENGINEER'S SEAL PROVINCE OF MANITOBA C.C. MACEY REGISTERED ENGINEER CONSULTANT DRAWING NO. 06-0265-247-02</p>	<p>THE CITY OF WINNIPEG WORKS AND OPERATIONS DIVISION WATERWORKS, WASTE & DISPOSAL DEPARTMENT</p> <p>LYNDALE DRIVE OUTFALL SITE PLAN AND PROPOSED OUTFALL WORKS</p> <p>FILE # 0010052</p>	<p>CITY DRAWING NUMBER LD-1144 SHEET 2 OF 2 REV 02 B</p>
150 mm W.M.	WATERMAIN	150 mm W.M.	HYDRO	150 mm W.M.	WATERMAIN																																																																																
	HYDRANT VALVE		M.T.S.		HYDRANT VALVE																																																																																
	LAND DRAINAGE SEWER		CONCRETE ASPHALT		LAND DRAINAGE SEWER																																																																																
	WASTE WATER SEWER		PROPERTY LINE		WASTE WATER SEWER																																																																																
	JUNCTION		SURVEY BAR		Q PROFILE																																																																																
EXISTING	LEGEND-PLAN	PROPOSED	EXISTING	LEGEND-PLAN	PROPOSED	EXISTING	LEGEND-PROFILE	PROPOSED																																																																													



AS-CONSTRUCTED
 INSPECTION / SURVEY SERVICES
 TECHNICAL SERVICES
 DATE: Nov. 15, 1991
 WATERWORKS, WASTE & DISPOSAL DEPARTMENT

METRIC
 WHOLE NUMBERS INDICATE MILLIMETRES
 DECIMALIZED NUMBERS INDICATE METRES

200 WM	WATERMAIN	200 WM	HYDRO	150 WM	WATERMAIN	150 WM
⊕	HYDRANT	⊕	MTS	⊕	HYDRANT	⊕
⊗	VALVE	⊗	50 GAS	⊗	VALVE	⊗
---	FORCEMAIN	---	PROPERTY LINE	---	FORCEMAIN	---
---	SECONDARY SEWER	---	SURVEY BAR	---	SECONDARY SEWER	---
---	COMBINED SEWER	---	FENCE	---	GROUND LINE	---
○	MANHOLE	○	POLE - HYDRO, MTS	○	BEND	○
□	CATCH BASIN	□	TRAFFIC SIGNAL	□		□
▽	CURB INLET	▽	CORP. STOP	▽		▽
---	EDGE OF CURB	---	LIGHT STANDARD	---		---
---	EDGE OF LANE	---	TREE	---		---
---	EXISTING	---	LEGEND-PLAN	---	LEGEND-PROFILE	---

LOCATION APPROVED
 UNDERGROUND STRUCTURES
 SUPV. U/G STRUCTURES COMMITTEE DATE
 NOTE:
 LOCATION OF UNDERGROUND STRUCTURES AS SHOWN ARE BASED ON THE BEST INFORMATION AVAILABLE BUT NO GUARANTEE IS GIVEN THAT ALL EXISTING UTILITIES ARE SHOWN OR THAT THE GIVEN LOCATIONS ARE EXACT. CONFIRMATION OF EXISTENCE AND EXACT LOCATION OF ALL SERVICES MUST BE OBTAINED FROM THE INDIVIDUAL UTILITIES BEFORE PROCEEDING WITH CONSTRUCTION.

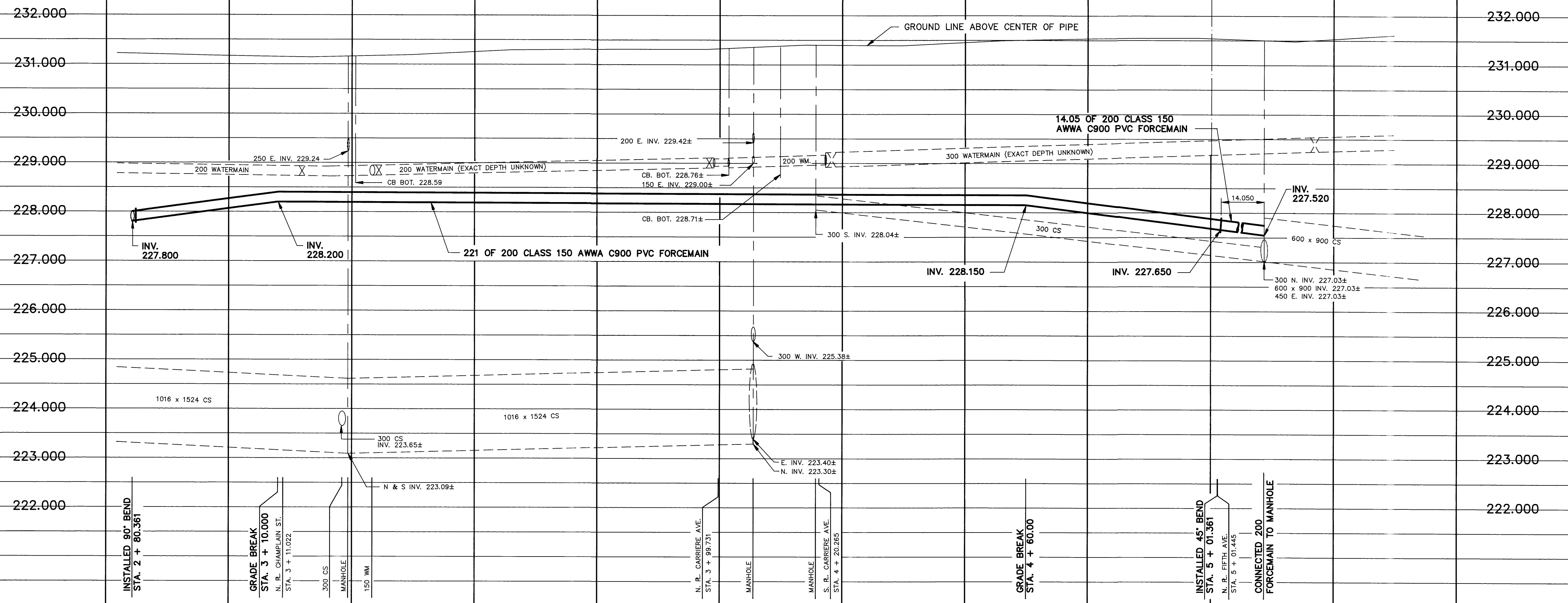
B.M. ELEV. 54 - 001
 231.117
 FIELD BOOK: # 615
 DESIGNED BY TJW
 DRAWN BY REF
 HOR. SCALE 1 : 500
 VERTICAL 1 : 50
 1 REVISED TO AS-BUILT 91.10.02 TM
 NO. REVISIONS DATE BY

WORKS & OPERATIONS DIVISION
WATERWORKS, WASTE & DISPOSAL DEPARTMENT
 ENGINEER'S SEAL
 R. A. SOROKOWSKI
 REGISTERED PROFESSIONAL ENGINEER
 DESIGNED BY TJW
 CHECKED BY JE / KD
 APPROVED BY R. A. SOROKOWSKI
 RELEASED FOR CONSTRUCTION
 DATE AUGUST 16, 1990

THE CITY OF WINNIPEG
WORKS AND OPERATIONS DIVISION
WATERWORKS WASTE AND DISPOSAL DEPARTMENT
 RELOCATION OF THE METCALFE WASTEWATER PUMPING STATION FORCEMAIN (ALONG PUBLIC LANE NORTH OF METCALFE PLACE)
 CITY DRAWING NUMBER SHEET 1 OF 3
1322
 CONSULTANT DRAWING NO.
 PLOT DATE: 1991 11 06

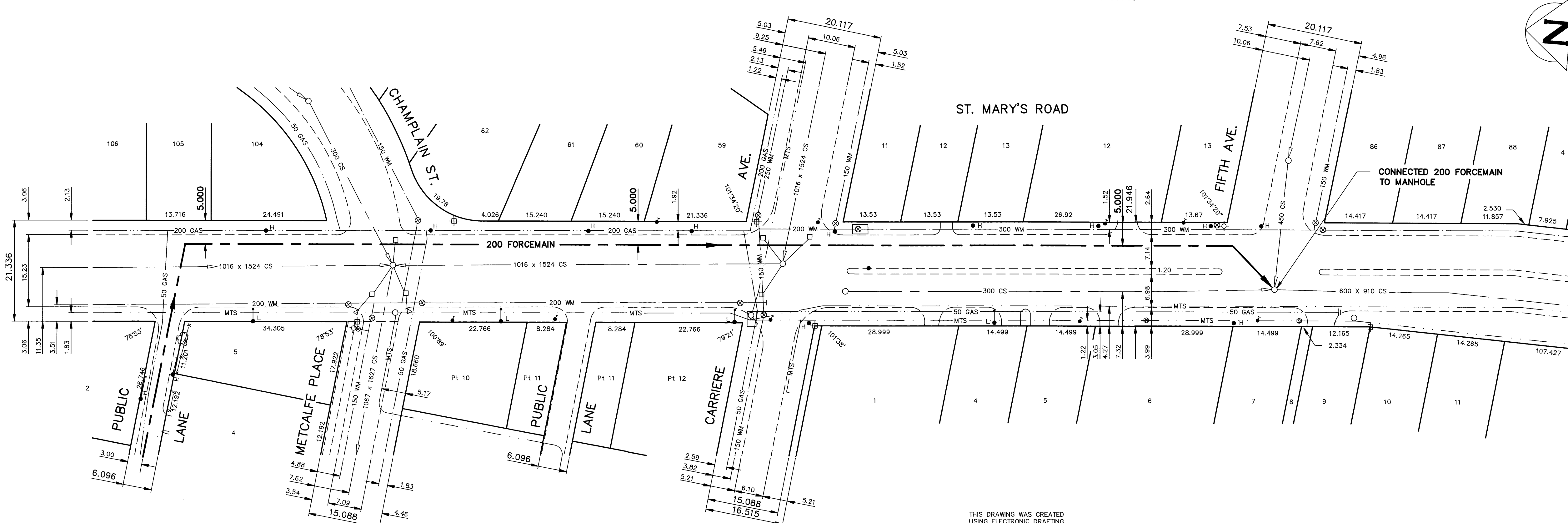
1322

file # FM1012 PLOT DATE: 1991 11 06



2 + 50 3 + 00 3 + 50 4 + 00 4 + 50 5 + 00 5 + 50

NOTE: - CHAINAGE ALONG C OF FORCEMAIN



200 WM	WATERMAIN	200 WM	HYDRO	200 WM	WATERMAIN	150 WM
+	HYDRANT	+	MTS	+	HYDRANT	+
o	VALVE	o	CONCRETE	o	VALVE	o
---	FORCEMAIN	---	PROPERTY LINE	---	FORCEMAIN	---
---	SECONDARY SEWER	---	SURVEY BAR	---	COMBINED SEWER	---
---	COMBINED SEWER	---	FENCE	---	GROUND LINE	---
o	MANHOLE	o	POLE - HYDRO, MTS	o	BEND	o
o	CATCH BASIN	o	TRAFFIC SIGNAL	o		o
o	CURB INLET	o	CORP. STOP	o		o
---	EDGE OF CURB	---	LIGHT STANDARD	---		---
---	50 GAS	---	TREE	---		---
---	EXISTING	---	PROPOSED	---	LEGEND--PROFILE	---
---	LEGEND--PLAN	---	PROPOSED	---	PROPOSED	---

LOCATION APPROVED UNDERGROUND STRUCTURES SUPV. U/C STRUCTURES COMMITTEE		B.M. ELEV. 54 - 001 231.117		FIELD BOOK: # 615	
DATE _____		DESIGNED BY TJW		CHECKED BY JE / KD	
DATE _____		DRAWN BY REF		APPROVED BY [Signature]	
DATE _____		HOR. SCALE 1 : 500		RELEASED FOR CONSTRUCTION [Signature]	
DATE _____		VERTICAL SCALE 1 : 50		CONSULTANT DRAWING NO. _____	
DATE _____		NO. REVISIONS _____		DATE _____	

AS-CREATED
 INSPECTION / SURVEY DATE _____
 TECHNICAL SERVICES DATE _____
 WATERWORKS, WASTE & DISPOSAL DEPARTMENT

METRIC
 WHOLE NUMBERS INDICATE MILLIMETRES
 DECIMALIZED NUMBERS INDICATE METRES

THE CITY OF WINNIPEG
 WORKS AND OPERATIONS DIVISION
 WATERWORKS WASTE AND DISPOSAL DEPARTMENT

PROVINCE OF MANITOBA
 REGISTERED PROFESSIONAL ENGINEER
R. A. SOROKOWSKI
 1990

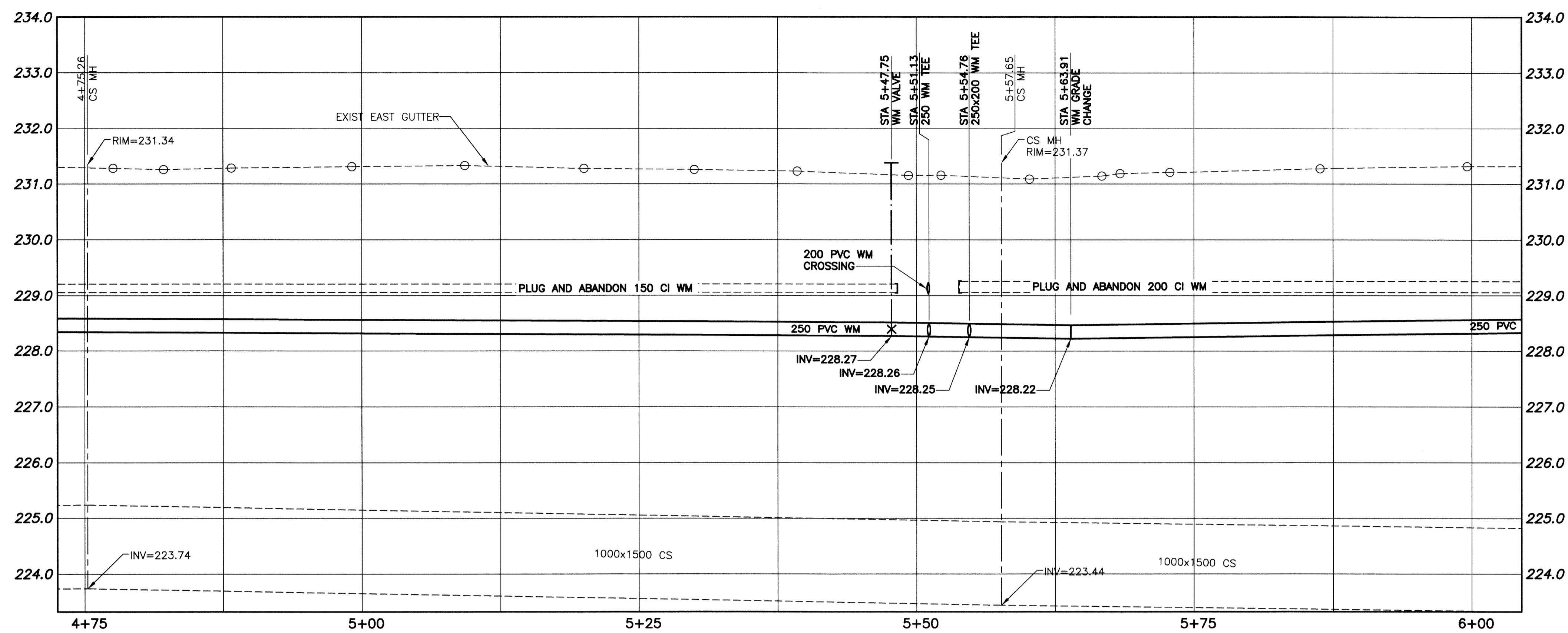
RELOCATION OF THE METCALFE
 WASTEWATER PUMPING STATION FORCEMAIN
 PUBLIC LANE NORTH OF METCALFE PLACE
 TO FIFTH AVENUE
 (ALONG ST. MARY'S ROAD)

CITY DRAWING NUMBER
 SHEET 2 OF 3
1323

PLOT DATE: 1991 11 06

FMA/01/4

File Name: P:\Projects\2013\13-0107-001\Doc.Control\ToBeIssued\DWG\247-2013_D-13169-Rev 0.dwg - Tab: D-13169-Rev 0.dwg - Plotted By: DDeroche 13/03/26 [Tue 11:10am]



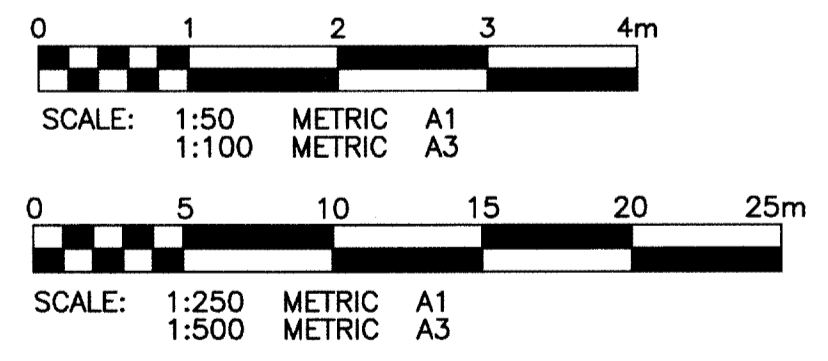
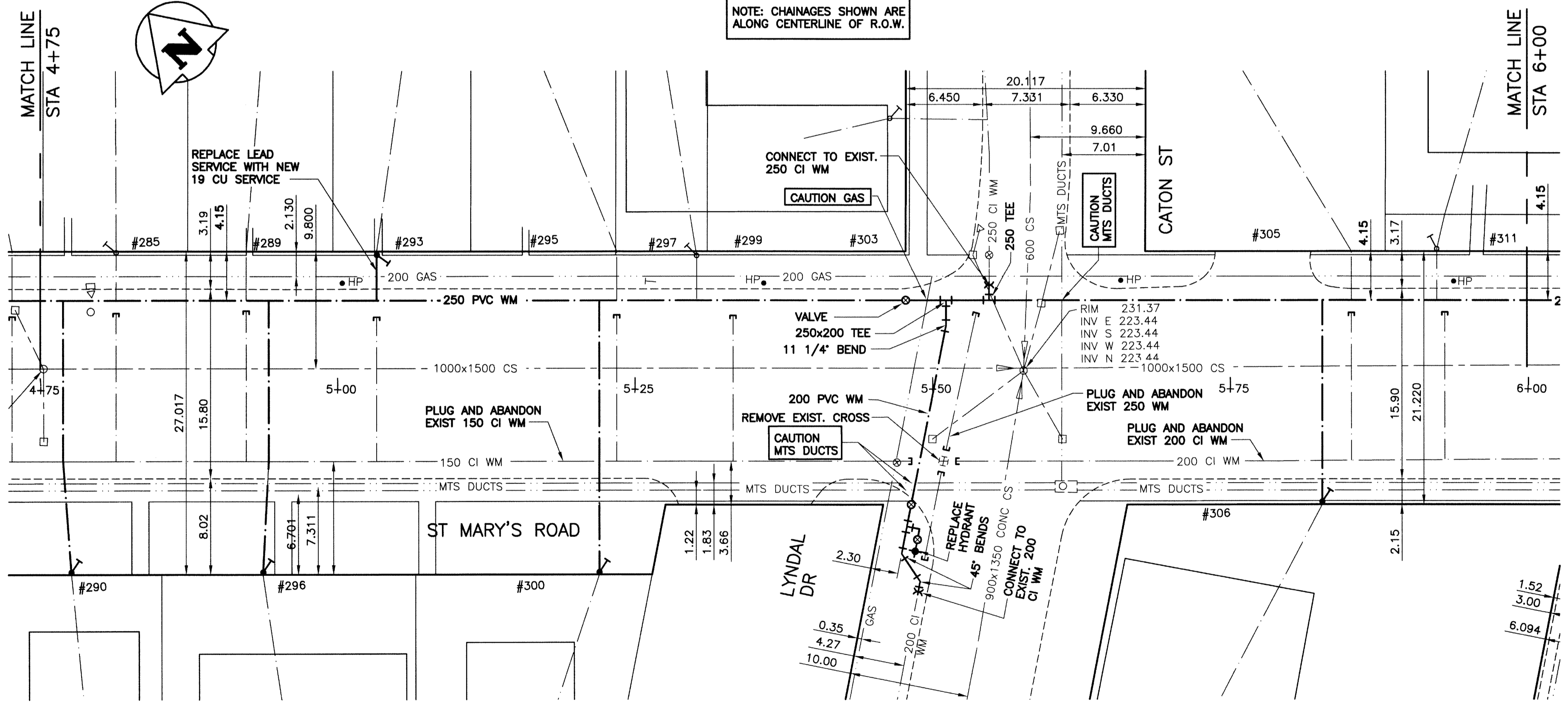
WARNING
 1. NOTIFY THE GAS COMPANY OF THE PROPOSED LOCATION OF EXCAVATION.
 2. TAKE PRECAUTION TO AVOID DAMAGE TO GAS COMPANY INSTALLATIONS.
 3. SEE PROVINCIAL REGULATION 140/92 FOR DETAILS.

METRIC
 WHOLE NUMBERS INDICATE MILLIMETRES
 DECIMALIZED NUMBERS INDICATE METRES

- CONSTRUCTION NOTES:**
1. EXPOSE WATERMAIN CONNECTIONS AND CONFIRM INVERTS PRIOR TO CONSTRUCTION.
 2. INSTALL WATERMAIN BY TRENCHLESS METHODS.
 3. ALL MATERIALS SHALL CONFORM TO THE CITY OF WINNIPEG STANDARD CONSTRUCTION SPECIFICATIONS.
 4. MINIMUM COVER TO TOP OF PROPOSED WATERMAIN SHALL BE 2.5m FROM STREET CENTERLINE.
 5. INSTALL ALL HYDRANTS WITH FLANGE ELEVATION 50mm TO 150mm ABOVE FINISHED GRADE.
 6. REPLACE ALL EXISTING LEAD SERVICES FROM THE PROPOSED WATERMAIN TO PROPERTY LINE.
 7. NOTIFY ALL AFFECTED RESIDENTS AND BUSINESSES 24 HOURS IN ADVANCE OF ANY WATER SHUTDOWN OR DISRUPTION OF SERVICES.
 8. LOCATION OF WATER SERVICES SHOWN ON DRAWING ARE APPROXIMATE. THE CONTRACTOR SHALL FIELD LOCATE ALL WATER SERVICES PRIOR TO CONSTRUCTION.
 9. BACKFILL UNDER OR WITHIN 1.0m OF PAVEMENTS, (INCLUDING SIDEWALKS) SHALL BE CLASS 3 BACKFILL EXCEPT AS NOTED. BACKFILL IN BOULEVARDS SHALL BE CLASS 5 BACKFILL.
 10. WATER VALVES TO BE CLOCKWISE TO CLOSE (BLACK OPERATING NUT)

CURB STOP				CORPORATION STOP	
ADDRESS TYPE/NATURE	DISTANCE (METERS)	SIZE(mm) & TYPE	SHORT & LONG MEASUREMENT (METER)	CORPORATION LOCATION	REMARKS
285 ST MARY'S RD RESIDENTIAL	20	20	2.4 S OF N	OPP S.C	SEWER/47. 96/08/30-SERVICE RENEWAL
286 ST MARY'S RD RESIDENTIAL	PROPERTY 0.3	25	8.8m OUT		SEWER/48
288 ST MARY'S RD RESIDENTIAL	BLDG 10.7	20	3.7m LR COR OF BLDG		SEWER/47
290 ST MARY'S RD RESIDENTIAL	BLDG 7.9	25	3.3m R L COR HSE		SEWER/49
293 ST MARY'S RD RESIDENTIAL	BLDG 10.5	20	4.3m R L COR BLDG 0.3 RF WALL		SEWER/47
295 ST MARY'S RD RESIDENTIAL	BLDG 9.0	20	2.1m R R COR HSE		SEWER/47
296 ST MARY'S RD RESIDENTIAL	BLDG 11.5	25	7.3m L R COR HSE 1 OFF WM		SEWER/49
297 ST MARY'S RD COMMERCIAL	BLDG 9.0	25	2.1m R R COR OF HSE		SEWER/61
300 ST MARY'S RD RESIDENTIAL	BLDG 10.7	25	3.7m S/SBL		SEWER/49**FEB/02-RENEWED SERVICE BOX
303 ST MARY'S RD COMMERCIAL	BLDG 1.2	20	1.2m W/EHL	OPP S.C	SEWER/46***SERVICE OFF CATON***
304 ST MARY'S RD RESIDENTIAL	BLDG 12.4	20	6.8m R/L	15.8m W OF HYD	SEWER/24 FROZEN ON PROP SHOULD READ JAN13/03 JAN25/03 THAWED
305 ST MARY'S RD RESIDENTIAL	BLDG 0.3	20	2.6m LR COR OF BLDG		SEWER/29 DR/WY A17907
306 ST MARY'S RD COMMERCIAL	BLDG 0.3	20	18.9m EEL OF ST MARY'S		SEWER/45
307 ST MARY'S RD RESIDENTIAL	BLDG 5.8	20	2.6m TO R COR HSE		SEWER/29 DR/WY A117907
311 ST MARY'S RD RESIDENTIAL	BLDG 8.6	20	3.6m R L COR HSE		SEWER/49 TAX-ST 8-817840-06

NOTE: CHAINAGES SHOWN ARE ALONG CENTERLINE OF R.O.W.



APEGM
 Certificate of Authorization
 KGS Group
 No. 245

EXISTING	LEGEND-PLAN	PROPOSED	EXISTING	LEGEND-PLAN	PROPOSED	EXISTING	LEGEND-PROFILE	PROPOSED
150 WM	WATERMAIN	150 WM	HYDRANT	HYDRO	M.T.S.	150 WM	WATERMAIN	150 WM
300 LDS	LAND DRAINAGE SEWER	300 LDS	VALVE	CONCRETE	CONCRETE	300 LDS	LAND DRAINAGE SEWER	300 LDS
250 WWS	WASTE WATER SEWER	250 WWS	CATCH BASIN	ASPHALT	ASPHALT	250 WWS	WASTE WATER SEWER	250 WWS
	MANHOLE		CURB INLET	SIDEWALK	SIDEWALK		C PROFILE	
	BEND		REDUCER	PLANNING	PLANNING		NORTH/WEST GUTTER	
	TEE			PROPERTY LINE	PROPERTY LINE		SOUTH/EAST GUTTER	
				SURVEY BAR	SURVEY BAR		N/W, S/E R'S	
				GAS	GAS		N/W, S/E TOP/CURB	
				CURB STOP	CURB STOP			
				TEE	TEE			

LOCATION APPROVED UNDERGROUND STRUCTURES

SUPV. U/G STRUCTURES COMMITTEE DATE

NOTE:
 LOCATION OF UNDERGROUND STRUCTURES AS SHOWN ARE BASED ON THE BEST INFORMATION AVAILABLE BUT NO GUARANTEE IS GIVEN THAT ALL EXISTING UTILITIES ARE SHOWN OR THAT THE GIVEN LOCATIONS ARE EXACT. CONFIRMATION OF EXISTENCE AND EXACT LOCATION OF ALL SERVICES MUST BE OBTAINED FROM THE INDIVIDUAL UTILITIES BEFORE PROCEEDING WITH CONSTRUCTION.

B.M. KGS BASE ELEV. DWGS BASE ON C.S.R.S. NAD 83 SYSTEM UTM GRID.

KGS GROUP CONSULTING ENGINEERS

DESIGNED BY: BJM
 DRAWN BY: DMW

CHECKED BY: RBO
 APPROVED BY:

HOR. SCALE: 1:250
 VERTICAL: 1:50

ISSUED FOR CONSTRUCTION 13/03/26
 NO. REVISIONS DATE

ENGINEER'S SEAL
 B.J. MIKOLAYENKO
 Member 24688

THE CITY OF WINNIPEG WATER AND WASTE DEPARTMENT

PROJECT TITLE: 2013 WATERMAIN RENEWALS CONTRACT 4

ST MARY'S ROAD HIGHFIELD STREET TO METCALFE AVENUE STA 4+75 TO STA 6+00

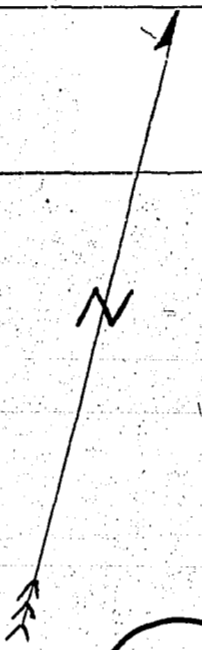
SHEET 04 OF 05
 COMPUTER FILE NAME: ST MARYS_2 PLOT
 CITY DRAWING NUMBER: D-13169

CONSULTANT DRAWING NO. 13-0107-001

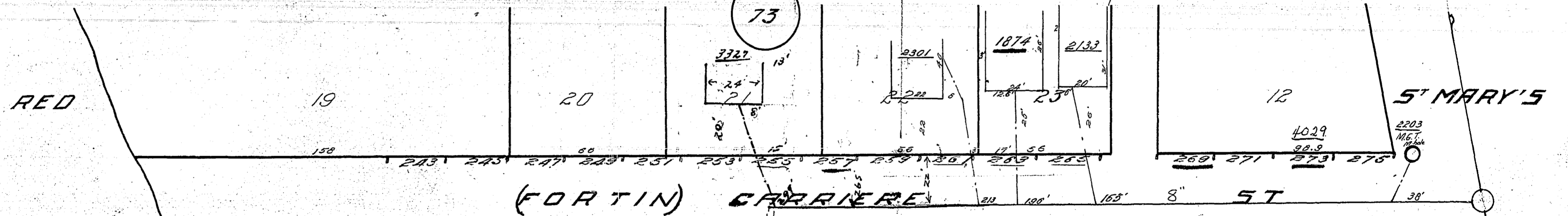
100
95
90
85
80

1
100
95
90
85
80

8" TILE SEWER ?



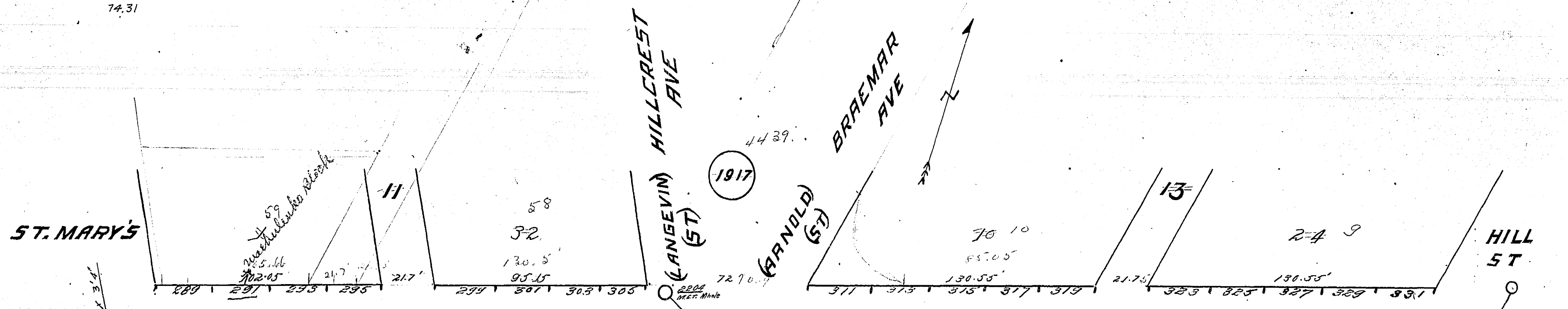
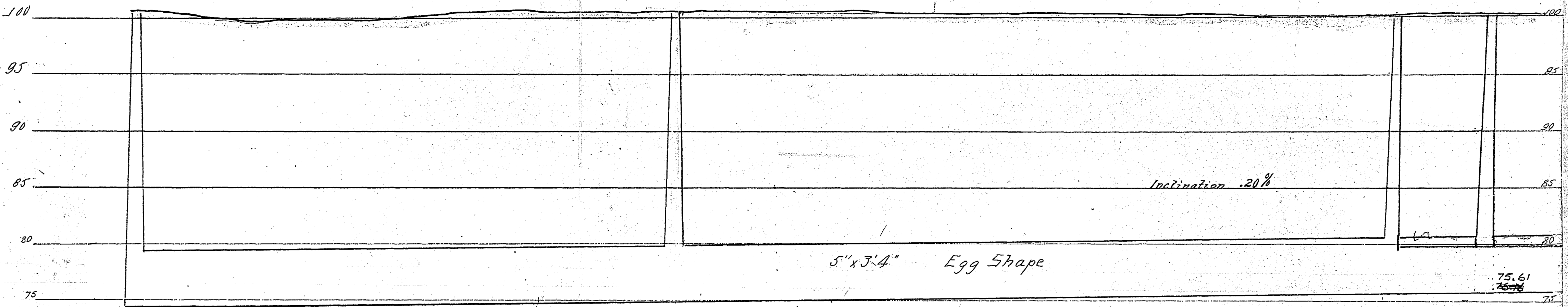
73



RIVER

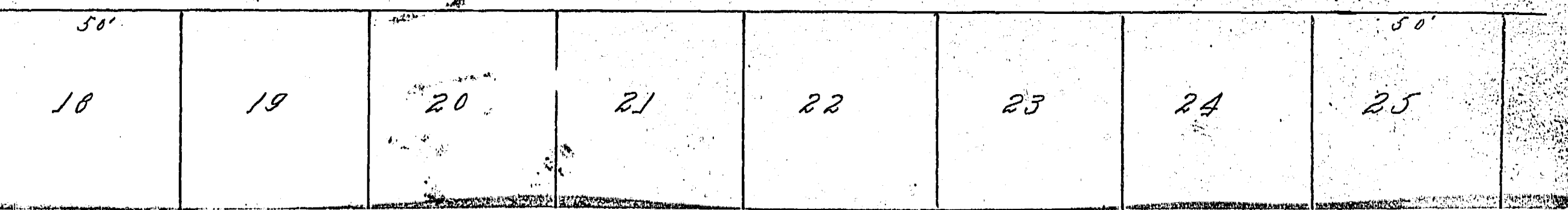
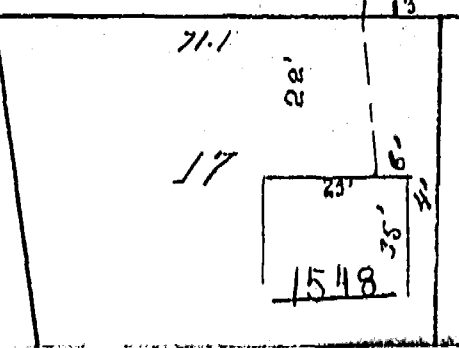
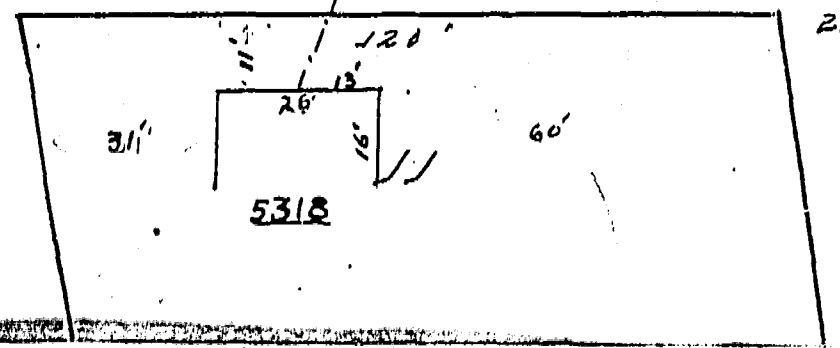
102

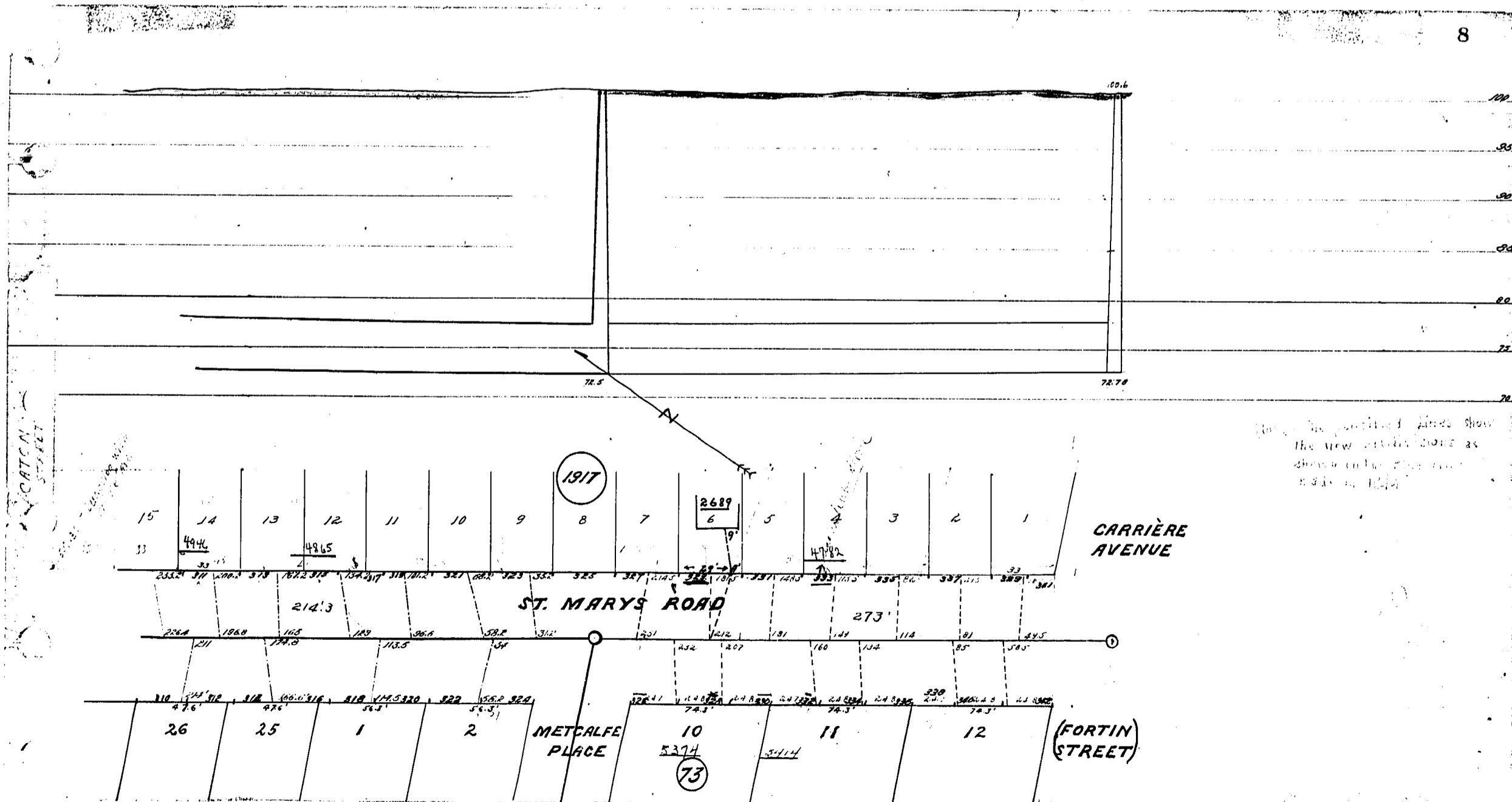
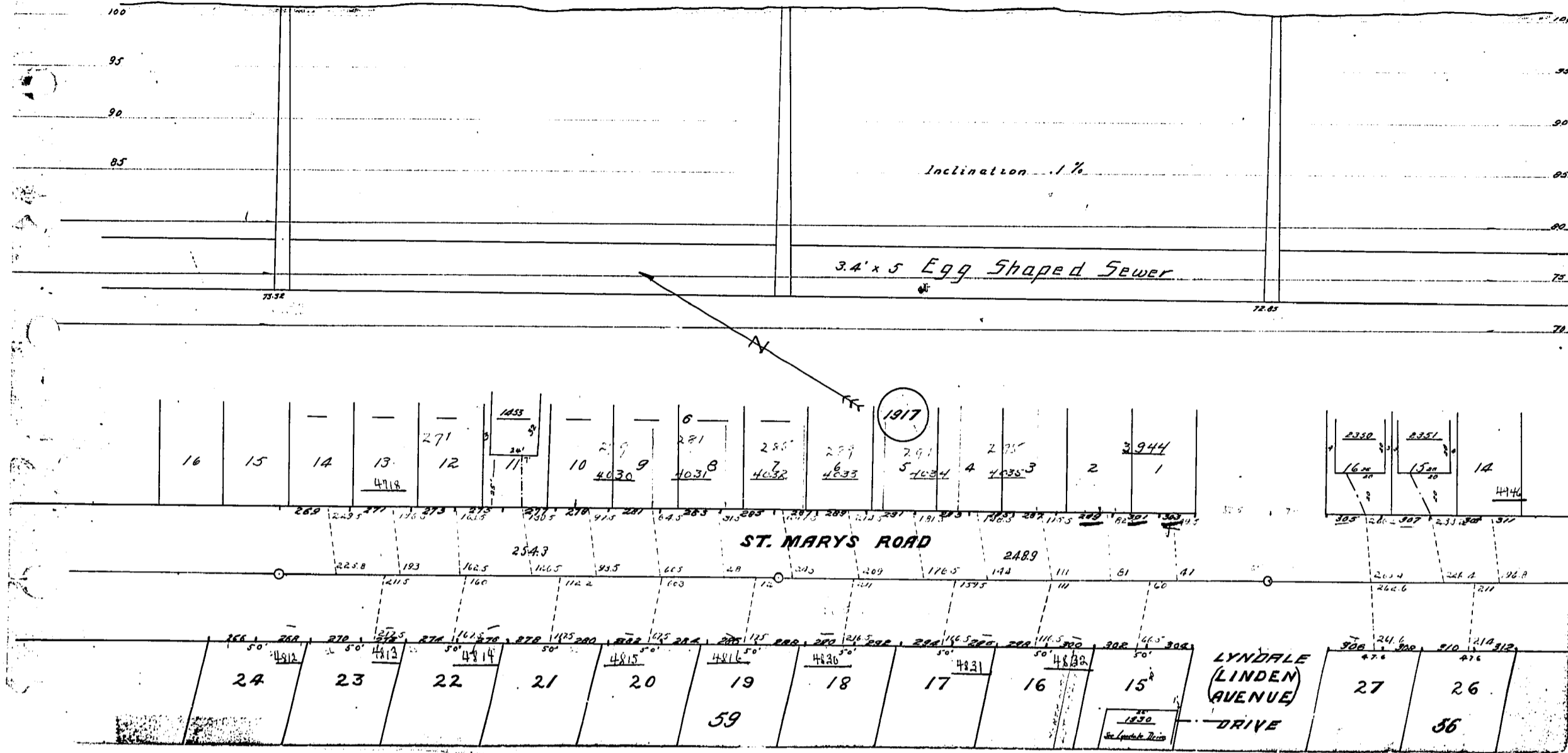
ROAD



EGG SHAPE 5'0" x 3'4"

ROAD

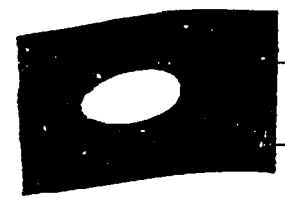




THE CITY OF WINNIPEG
WORKS AND OPERATIONS DIVISION

OLD RECORDS

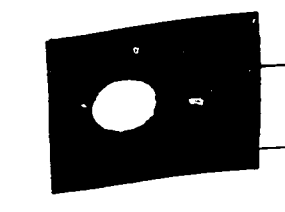
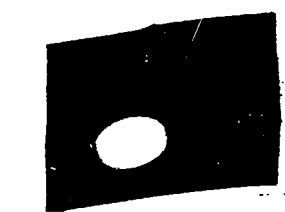
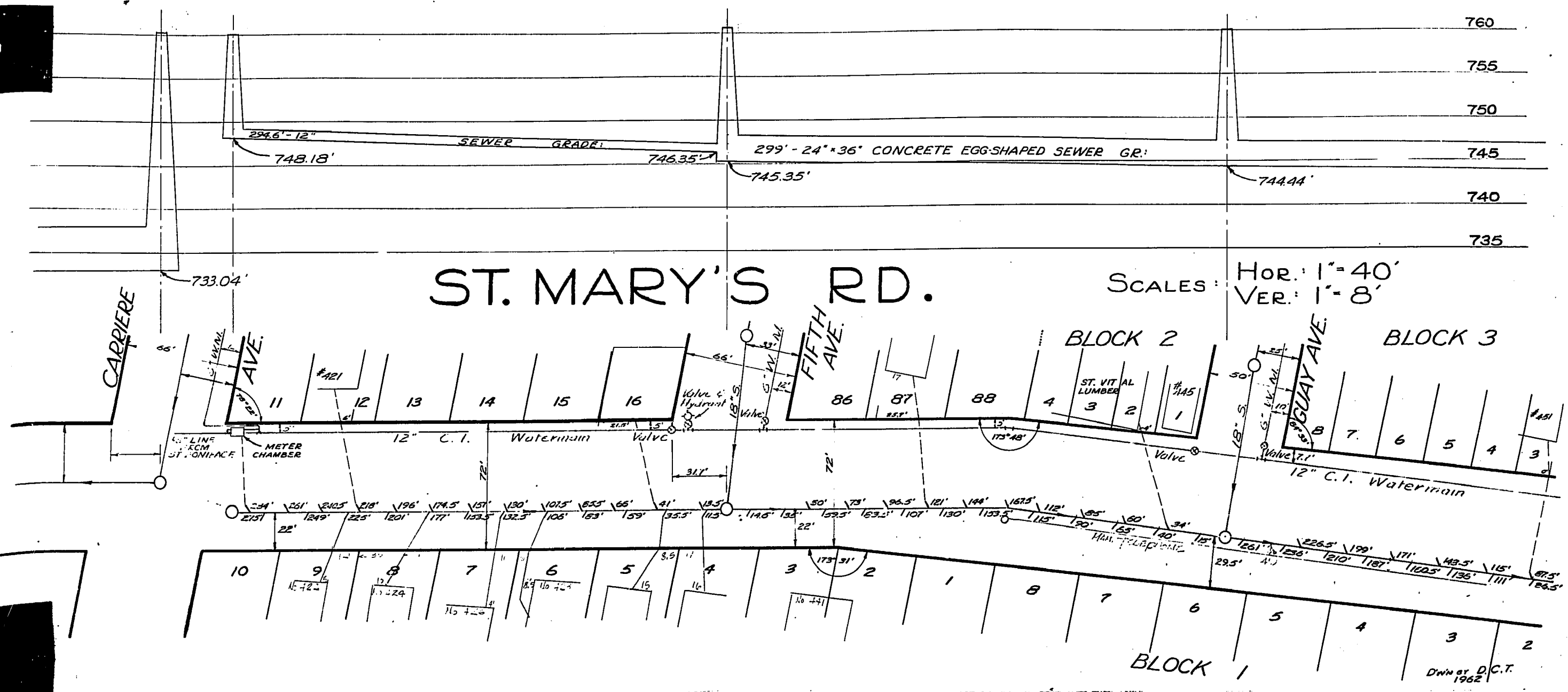
CITY DRAWING NUMBER
 SHEET OF
H.F.2898



760
755
750
745
740
735

ST. MARY'S RD.

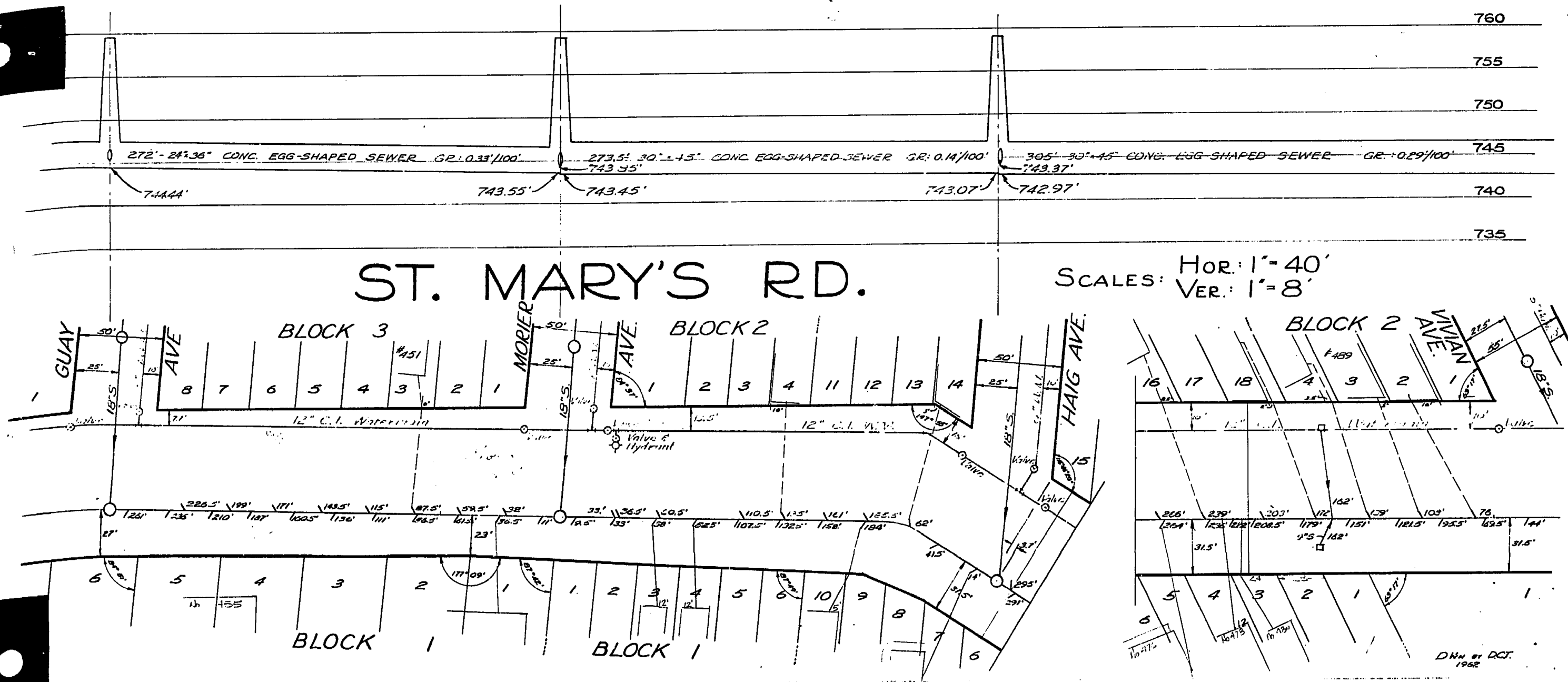
SCALES: HOR: 1" = 40'
VER: 1" = 8'



760
755
750
745
740
735

ST. MARY'S RD.

SCALES: HOR: 1" = 40'
VER: 1" = 8'



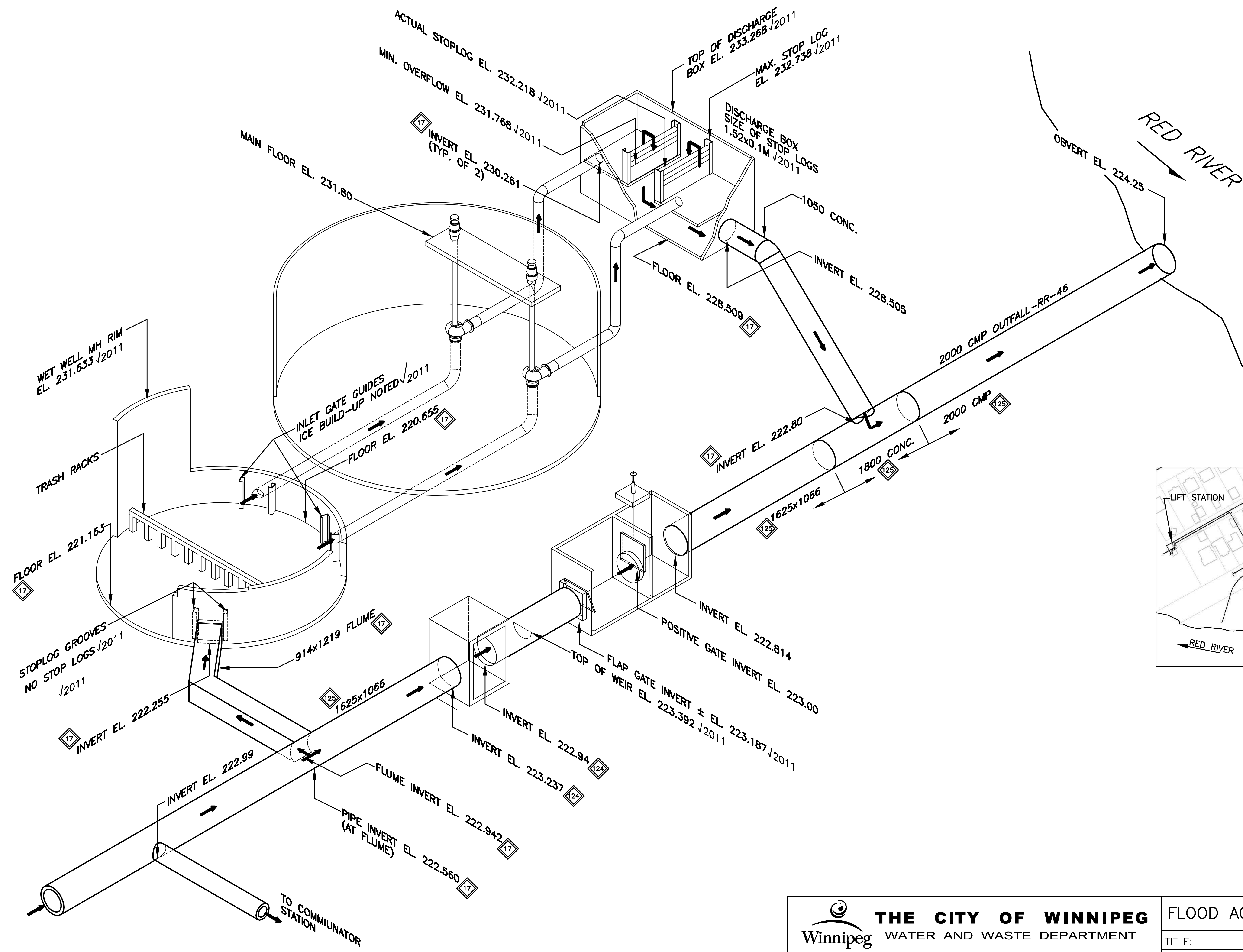
INDEXED

THE CITY OF WINNIPEG
WORKS AND OPERATIONS DIVISION

OLD RECORDS

CITY DRAWING NUMBER	
SHEET OF	
H.F.3275	

FILE No.: P:/PROJECTS/2012/12-0194-005/MECH/DWGS/FPS Isometrics - Rev. 2011/Metcalf-M024-Rev.2.dwg



LOCATION

- AREA EAST
- SECTOR 77
- ADDRESS _____

KEY ELEVATIONS

- JAMES ST. 25.8 FT = 7.864m
- LOW BASEMENT 228.9
- MAXIMUM ACTIVATION 228.3
- ACTUAL ACTIVATION
 - JAMES 3.96
 - SITE RIVER 226.24
- PUMP START/STOP 1 223.89/223.28
- 2 224.20/223.59
- HIGH ALARM

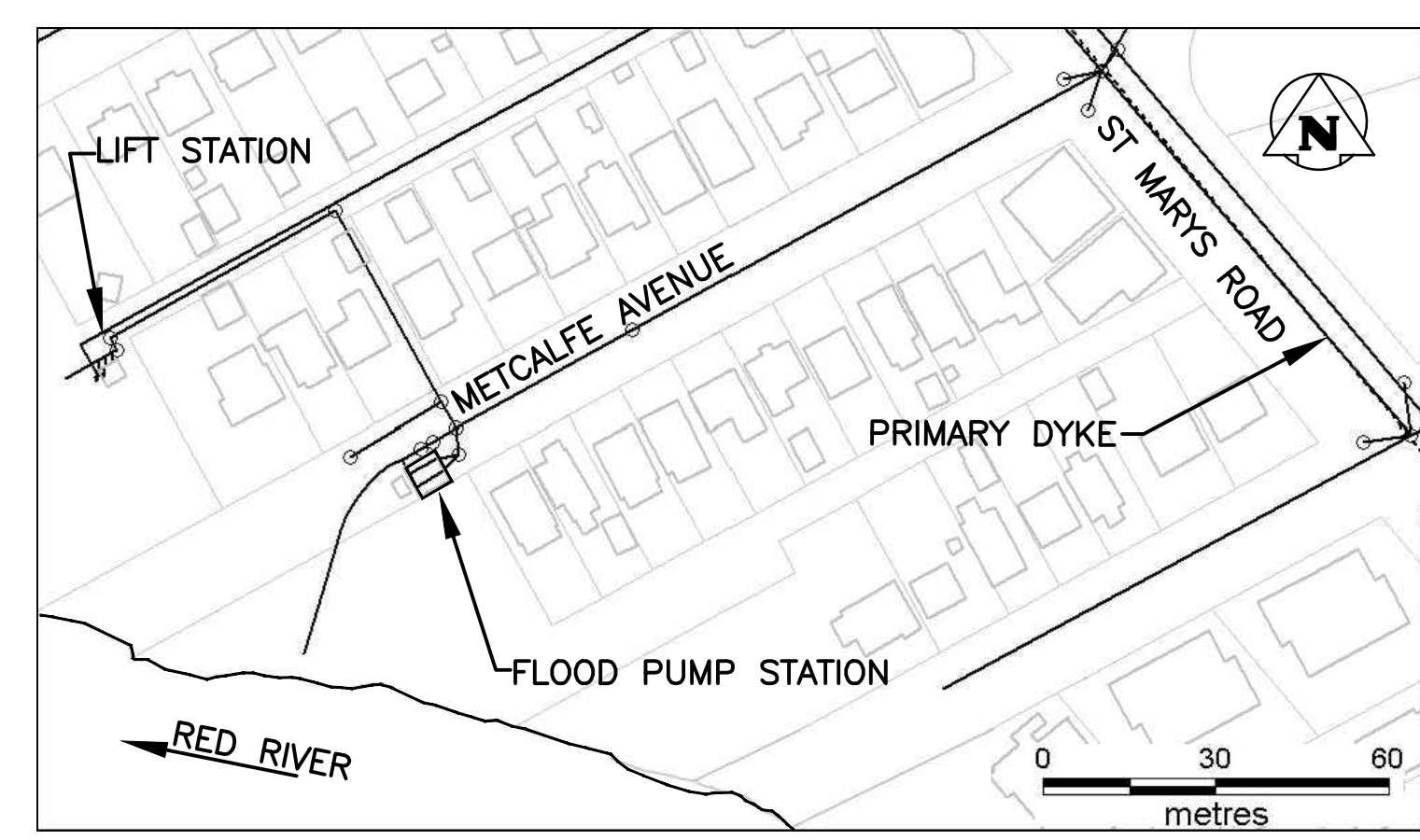
NOTES

1. SOURCE OF DATA SHOWN CAN BE TRACED BY REFERRING TO THE BASELINE DATA SPREADSHEETS. FOR SPECIFIC CROSS REFERENCES ON THE DRAWING (E.G. \diamond), REFER TO THE FPS BASELINE DATA SPREADSHEET-SUPERSCRIPT CROSS-REFERENCE SHEET.

PUMP INFORMATION

PUMP REF No.	HP	CAPACITY	
		NO STOPLOGS (CMS)	FULL STOPLOGS (CMS)
29	125	0.65	0.51
30	125	0.67	0.51
TOTAL		1.36	1.03

✓2011 - INDICATES FIELD CONFIRMED



SITE PLAN

NO.	D / M / Y	DESCRIPTION	BY
2	-/-/-	UPDATED	RED
1	10/03/05	UPDATED	RED

REVISIONS / ISSUE

THE CITY OF WINNIPEG
Winnipeg WATER AND WASTE DEPARTMENT

uma **KGS GROUP**

FLOOD ACTIVITY / EMERGENCY MANUAL

TITLE: METCALFE FPS ISOMETRIC

JOB No. 020-08-09-09-00 DATE: MAR. 19, 2003

SCALE: N.T.S. DWG. No. 00-107-10-M24

CHECKED: HSW/RED